

# DIGITRON SEMICONDUCTORS

MR10150E

10A SCHOTTKY RECTIFIER

## MAXIMUM RATINGS

Rating	Symbol	MR10150E	Unit
Peak repetitive reverse voltage	$V_{RRM}$	1500	V
Working peak reverse voltage	$V_{RWM}$		
DC blocking voltage	$V_R$		
Average rectified forward current (Rated $V_R$ )	$I_{F(AV)}$	10 @ $T_C = 125^\circ\text{C}$	A
Peak repetitive forward current (Rated $V_R$ square wave, 20kHz)	$I_{FRM}$	20	A
Non-repetitive peak surge current (surge applied at rated load conditions, halfwave, single phase, 60Hz)	$I_{FSM}$	100	A
Operating and storage junction temperature range	$T_J, T_{stg}$	-65 to +125	$^\circ\text{C}$
Controlled avalanche energy	$W_{AVAL}$	20	mJ
Maximum thermal resistance Junction to case	$R_{\theta JC}$	2.0	$^\circ\text{C/W}$

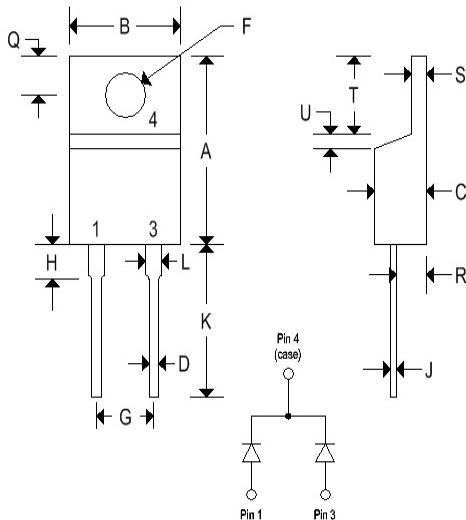
## ELECTRICAL CHARACTERISTICS ( $T_J = 25^\circ\text{C}$ unless otherwise noted)

Parameter	Symbol	MR10150E		Unit
		Typ	Max	
Maximum instantaneous forward voltage <sup>(1)</sup> ( $I_F = 6.5\text{A}, T_J = 125^\circ\text{C}$ ) ( $I_F = 6.5\text{A}, T_J = 25^\circ\text{C}$ )	$V_F$	1.1 1.3	1.6 1.8	V
Maximum instantaneous reverse current <sup>(1)</sup> (Rated dc voltage, $T_J = 125^\circ\text{C}$ ) (Rated dc voltage, $T_J = 25^\circ\text{C}$ )	$I_R$	750 25	1000 100	$\mu\text{A}$
Maximum reverse recovery time ( $I_F = 1.0\text{A}, di/dt = 50\text{A}/\mu\text{s}$ )	$t_{rr}$	0.5	1.0	$\mu\text{s}$
Peak transient overshoot voltage	$t_{fr}$	135	175	ns
Maximum forward recovery time ( $I_F = 6.5\text{A}, di/dt = 12\text{A}/\mu\text{s}$ )	$V_{RFM}$	14	16	V

Note 1: Pulse test: Pulse width = 300 $\mu\text{s}$ , duty cycle  $\leq 2.0\%$ .

## MECHANICAL CHARACTERISTICS

Case	TO-220AC
Marking	Alpha-numeric
Pin out	See below



	TO-220AC			
	Inches		Millimeters	
	Min	Max	Min	Max
A	0.595	0.620	15.110	15.750
B	0.380	0.405	9.650	10.290
C	0.160	0.190	4.060	4.820
D	0.142	0.147	3.610	3.730
F	0.142	0.147	3.610	3.730
G	0.190	0.210	4.830	5.330
H	0.110	0.130	2.790	3.300
J	0.018	0.025	0.460	0.640
K	0.500	0.562	12.700	14.270
L	0.045	0.050	1.140	1.270
Q	0.100	0.120	2.540	3.040
R	0.080	0.110	2.040	2.790
S	0.045	0.055	1.140	1.390
T	0.235	0.255	5.970	6.480
U	0.030	0.050	0.760	1.270

Available Non-RoHS (standard) or RoHS compliant (add PBF suffix).

Available as "HR" (high reliability) screened per MIL-PRF-19500, JANTX level. Add "HR" suffix to base part number.

144 Market Street  
Kenilworth NJ 07033 USA

phone +1.908.245-7200  
fax +1.908.245-0555

sales@digitroncorp.com  
www.digitroncorp.com