

DIGITRON SEMICONDUCTORS

MR10120E

10A SCHOTTKY RECTIFIER

MAXIMUM RATINGS

Rating	Symbol	MR10120E	Unit
Peak repetitive reverse voltage	V_{RRM}	1200	V
Working peak reverse voltage	V_{RWM}		
DC blocking voltage	V_R		
Average rectified forward current (Rated V_R)	$I_{F(AV)}$	10 @ $T_C = 125^\circ\text{C}$	A
Peak repetitive forward current (Rated V_R , square wave, 20kHz)	I_{FRM}	20 @ $T_C = 125^\circ\text{C}$	A
Non-repetitive peak surge current (surge applied at rated load conditions, halfwave, single phase, 60Hz)	I_{FSM}	100	A
Operating and storage junction temperature range	T_J, T_{stg}	-65 to +125	$^\circ\text{C}$
Controlled avalanche energy	W_{AVAIL}	20	mJ
Maximum thermal resistance Junction to case	$R_{\theta JC}$	2.0	$^\circ\text{C/W}$

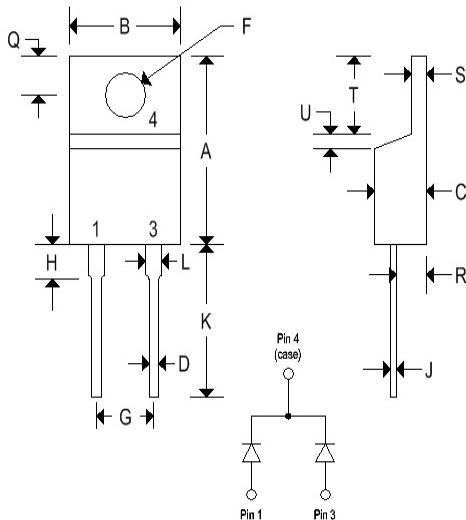
ELECTRICAL CHARACTERISTICS ($T_J = 25^\circ\text{C}$ unless otherwise noted)

Parameter	Symbol	MR10120E		Unit
		Typ	Max	
Maximum instantaneous forward voltage ⁽¹⁾ ($I_F = 6.5\text{A}, T_J = 125^\circ\text{C}$) ($I_F = 6.5\text{A}, T_J = 25^\circ\text{C}$)	V_F	0.9 1.0	1.3 1.5	V
Maximum instantaneous reverse current ⁽¹⁾ (Rated dc voltage, $T_J = 25^\circ\text{C}$) (Rated dc voltage, $T_J = 125^\circ\text{C}$)	I_R	5.0 50	50 500	μA
Maximum reverse recovery time ($I_F = 1.0\text{A}, di/dt = 50\text{A}/\mu\text{s}$)	t_{rr}	0.75	1.0	μs
Peak transient overshoot voltage	t_{fr}	135	175	ns
Maximum forward recovery time ($I_F = 6.5\text{A}, di/dt = 12\text{A}/\mu\text{s}$)	V_{RFM}	12	14	V

Note 1: Pulse test: Pulse width = 300 μs , duty cycle $\leq 2.0\%$.

MECHANICAL CHARACTERISTICS

Case	TO-220AC
Marking	Alpha-numeric
Pin out	See below



	TO-220AC			
	Inches		Millimeters	
	Min	Max	Min	Max
A	0.595	0.620	15.110	15.750
B	0.380	0.405	9.650	10.290
C	0.160	0.190	4.060	4.820
D	0.142	0.147	3.610	3.730
F	0.142	0.147	3.610	3.730
G	0.190	0.210	4.830	5.330
H	0.110	0.130	2.790	3.300
J	0.018	0.025	0.460	0.640
K	0.500	0.562	12.700	14.270
L	0.045	0.050	1.140	1.270
Q	0.100	0.120	2.540	3.040
R	0.080	0.110	2.040	2.790
S	0.045	0.055	1.140	1.390
T	0.235	0.255	5.970	6.480
U	0.030	0.050	0.760	1.270

Available Non-RoHS (standard) or RoHS compliant (add PBF suffix).

Available as "HR" (high reliability) screened per MIL-PRF-19500, JANTX level. Add "HR" suffix to base part number.

144 Market Street
Kenilworth NJ 07033 USA

phone +1.908.245-7200
fax +1.908.245-0555

sales@digitroncorp.com
www.digitroncorp.com

DIGITRON SEMICONDUCTORS

MR10120E

10A SCHOTTKY RECTIFIER

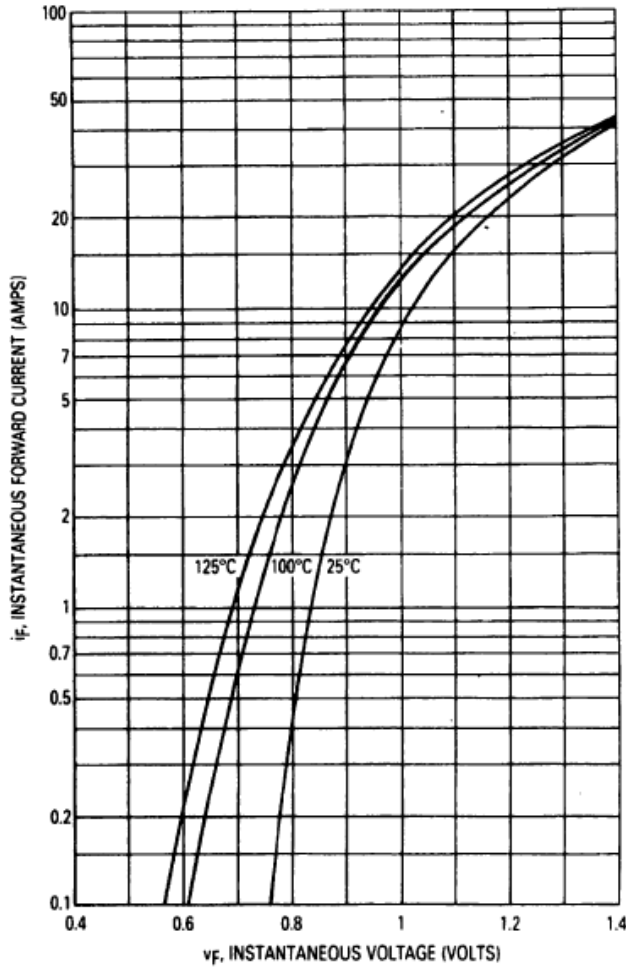


Figure 1. Typical Forward Voltage

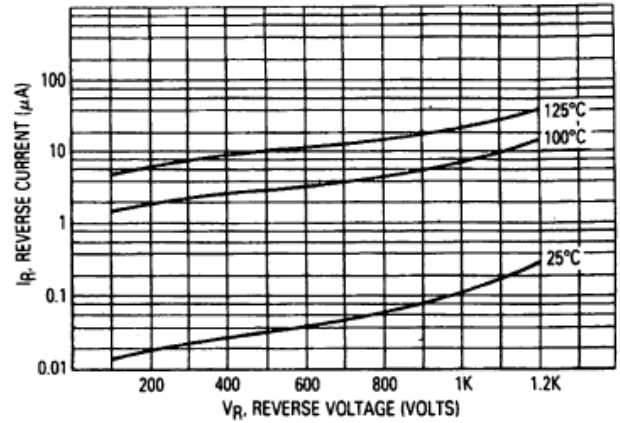


Figure 2. Typical Reverse Current

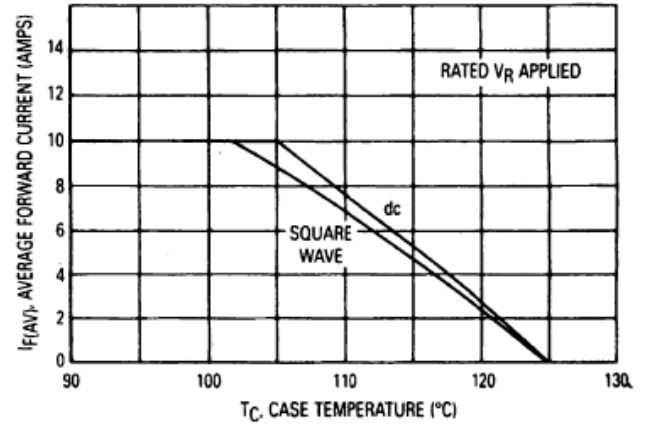


Figure 3. Current Derating (Case)

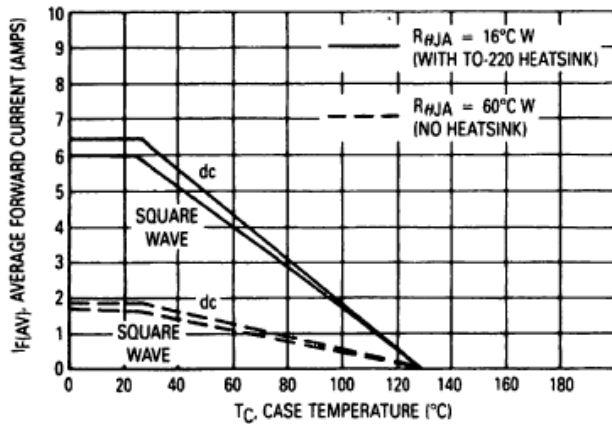


Figure 4. Current Derating Ambient

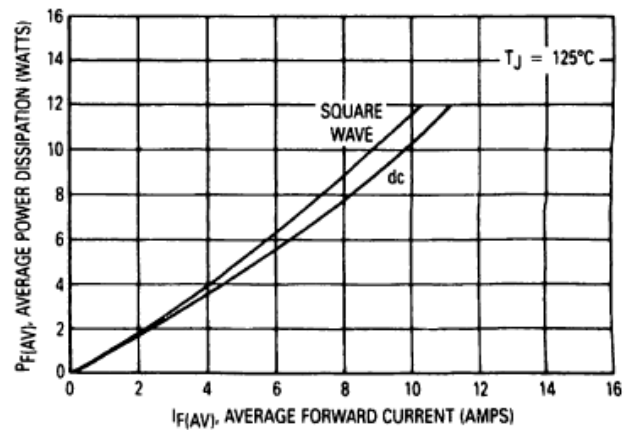


Figure 5. Forward Power Dissipation