

DIGITRON SEMICONDUCTORS

MUR605CT-MUR620CT

6A SCHOTTKY RECTIFIER

MAXIMUM RATINGS

Rating	Symbol	MUR				Unit
		605CT	610CT	615CT	620CT	
Peak repetitive reverse voltage	V_{RRM}	50	100	150	200	V
Working peak reverse voltage	V_{RWM}					
DC blocking voltage	V_R					
Average rectified forward current (Rated V_R)	$I_{F(AV)}$	6.0 @ $T_C = 130^\circ\text{C}$				A
Non-repetitive peak surge current (surge applied at rated load conditions, halfwave, single phase, 60Hz)	I_{FSM}	75				A
Operating and storage junction temperature range	T_J, T_{stg}	-65 to +175				$^\circ\text{C}$
Maximum thermal resistance Junction to case	$R_{\theta JC}$	7.0				$^\circ\text{C/W}$

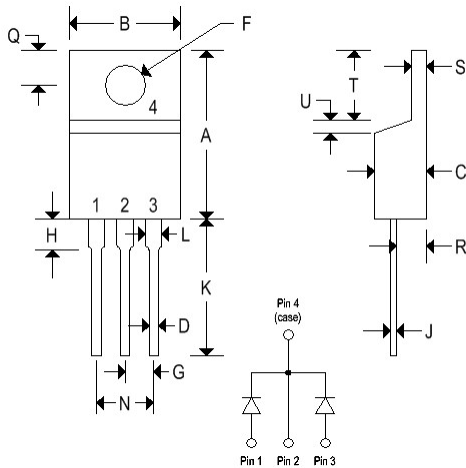
ELECTRICAL CHARACTERISTICS ($T_C = 25^\circ\text{C}$ unless otherwise noted)

Parameter	Symbol	MUR				Unit
		605CT	610CT	615CT	620CT	
Maximum instantaneous forward voltage ⁽¹⁾ ($I_F = 3.0\text{A}, T_C = 150^\circ\text{C}$) ($I_F = 3.0\text{A}, T_C = 25^\circ\text{C}$)	V_F	0.895 0.975				V
Maximum instantaneous reverse current ⁽¹⁾ (Rated dc voltage, $T_C = 150^\circ\text{C}$) (Rated dc voltage, $T_C = 25^\circ\text{C}$)	I_R	250 5.0				μA
Maximum reverse recovery time ($I_F = 1.0\text{A}, di/dt = 50\text{A}/\mu\text{s}$)	t_{rr}	35				ns

Note 1: Pulse test: Pulse width = 300 μs , duty cycle = 2.0%.

MECHANICAL CHARACTERISTICS

Case	TO-220AB
Marking	Alpha-numeric
Pin out	See below



	TO-220AB			
	Inches		Millimeters	
	Min	Max	Min	Max
A	0.570	0.620	14.480	15.750
B	0.380	0.405	9.660	10.280
C	0.160	0.190	4.070	4.820
D	0.025	0.035	0.640	0.880
F	0.142	0.147	3.610	3.730
G	0.095	0.105	2.420	2.660
H	0.110	0.155	2.800	3.930
J	0.018	0.025	0.460	0.640
K	0.500	0.562	12.700	14.270
L	0.045	0.060	1.150	1.520
N	0.190	0.210	4.830	5.330
Q	0.100	0.120	2.540	3.040
R	0.080	0.110	2.040	2.790
S	0.045	0.055	1.150	1.390
T	0.235	0.255	5.970	6.470
U	-	0.050	-	1.270

DIGITRON SEMICONDUCTORS

MUR605CT-MUR620CT 10A SCHOTTKY RECTIFIER

Available Non-RoHS (standard) or RoHS compliant (add PBF suffix).
 Available as "HR" (high reliability) screened per MIL-PRF-19500, JANTX level. Add "HR" suffix to base part number.

FIGURE 1 — TYPICAL FORWARD VOLTAGE

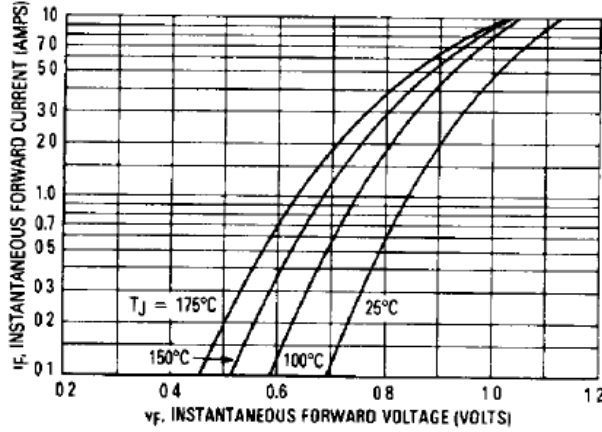


FIGURE 2 — TYPICAL REVERSE CURRENT

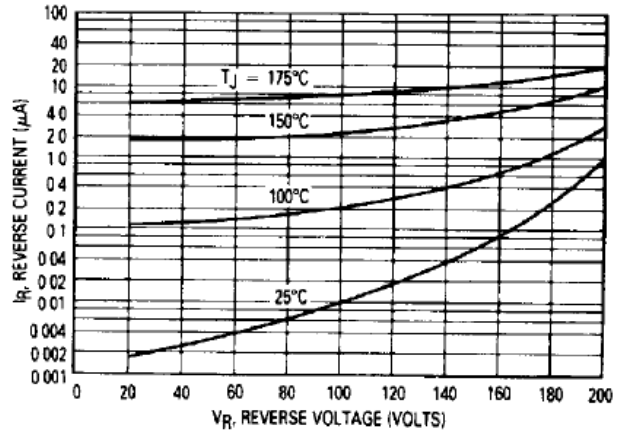


FIGURE 3 — TOTAL DEVICE CURRENT DERATING, CASE

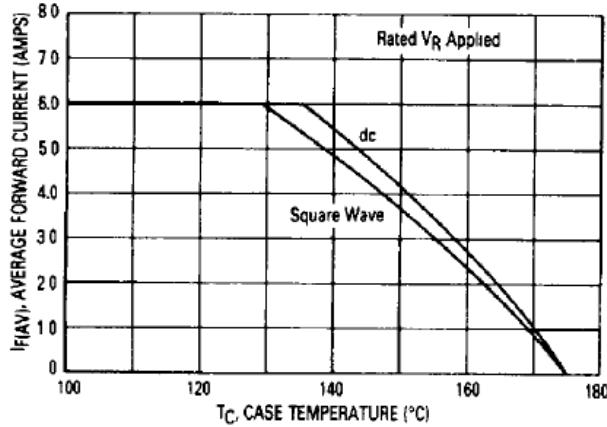


FIGURE 4 — TOTAL DEVICE CURRENT DERATING, AMBIENT

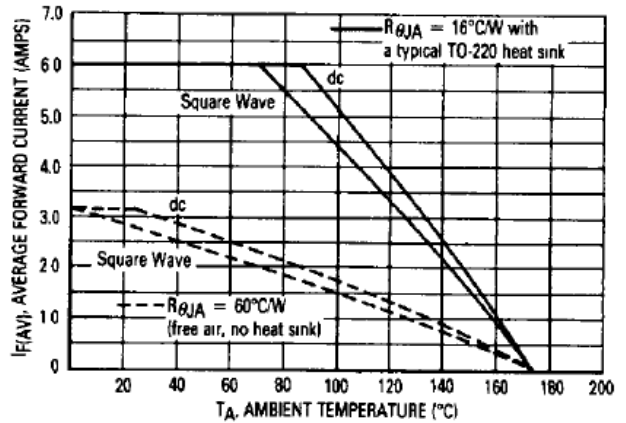


FIGURE 5 — POWER DISSIPATION

