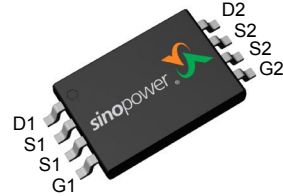


Dual N-Channel Enhancement Mode MOSFET

Features

- 18V/6A,
 $R_{DS(ON)} = 23m\Omega(\text{typ.}) @ V_{GS} = 4.5V$
 $R_{DS(ON)} = 34m\Omega(\text{typ.}) @ V_{GS} = 2.5V$
- Reliable and Rugged
- Lead Free and Green Devices Available (RoHS Compliant)

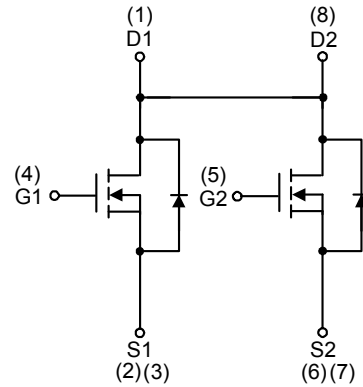
Pin Description



Top View of TSSOP – 8

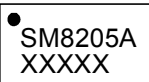
Applications

- Power Management in Notebook Computer, Portable Equipment, and Battery Powered Systems.



N-Channel MOSFET

Ordering and Marking Information

| | |
|--|---|
| <p>SM8205A □□-□□□</p> <p>Assembly Material Handling Code Temperature Range Package Code</p> | <p>Package Code O : TSSOP-8 Operating Junction Temperature Range C : -55 to 150 °C Handling Code TR : Tape & Reel (4000ea/reel) Assembly Material G : Halogen and Lead Free Device</p> |
| <p>SM8205A O :</p> | <p>  XXXXX - Lot Code</p> |

Note : SINOPOWER lead-free products contain molding compounds/die attach materials and 100% matte tin plate termination finish; which are fully compliant with RoHS. SINOPOWER lead-free products meet or exceed the lead-free requirements of IPC/JEDEC J-STD-020C for MSL classification at lead-free peak reflow temperature. SINOPOWER defines “Green” to mean lead-free (RoHS compliant) and halogen free (Br or Cl does not exceed 900ppm by weight in homogeneous material and total of Br and Cl does not exceed 1500ppm by weight).

SINOPOWER reserves the right to make changes to improve reliability or manufacturability without notice, and advise customers to obtain the latest version of relevant information to verify before placing orders.

Absolute Maximum Ratings ($T_A = 25^\circ\text{C}$ unless otherwise noted)

| Symbol | Parameter | Rating | Unit |
|-------------------|--|-------------------------|--------------------|
| V_{DSS} | Drain-Source Voltage | 18 | V |
| V_{GSS} | Gate-Source Voltage | ± 10 | |
| I_D^* | Continue Drain Current | 6 | A |
| I_{DM}^* | 300 μs Pulsed Drain Current | | |
| I_S^* | Diode Continuous Forward Current | 1.7 | |
| T_J | Maximum Junction Temperature | 150 | $^\circ\text{C}$ |
| T_{STG} | Storage Temperature Range | -55 to 150 | |
| P_D^* | Maximum Power Dissipation | $T_A=25^\circ\text{C}$ | 1.25 |
| | | $T_A=100^\circ\text{C}$ | 0.5 |
| $R_{\theta JA}^*$ | Thermal Resistance-Junction to Ambient | 100 | $^\circ\text{C/W}$ |

Note : *Surface Mounted on 1in² pad area, $t \leq 10\text{sec}$.

Electrical Characteristics ($T_A = 25^\circ\text{C}$ unless otherwise noted)

| Symbol | Parameter | Test Conditions | Min. | Typ. | Max. | Unit |
|---|----------------------------------|---|------|------|----------|---------------|
| Static Characteristics | | | | | | |
| BV_{DSS} | Drain-Source Breakdown Voltage | $V_{GS}=0\text{V}, I_{DS}=250\mu\text{A}$ | 18 | - | - | V |
| I_{DSS} | Zero Gate Voltage Drain Current | $V_{DS}=16\text{V}, V_{GS}=0\text{V}$ $T_J=85^\circ\text{C}$ | - | - | 1 | μA |
| | | | - | - | 30 | |
| $V_{GS(th)}$ | Gate Threshold Voltage | $V_{DS}=V_{GS}, I_{DS}=250\mu\text{A}$ | 0.5 | 0.7 | 1.5 | V |
| I_{GSS} | Gate Leakage Current | $V_{GS}=\pm 10\text{V}, V_{DS}=0\text{V}$ | - | - | ± 10 | μA |
| $R_{DS(ON)}^a$ | Drain-Source On-state Resistance | $V_{GS}=4.5\text{V}, I_{DS}=6\text{A}$ | - | 23 | 24.5 | m Ω |
| | | $V_{GS}=2.5\text{V}, I_{DS}=5.2\text{A}$ | - | 34 | 45 | |
| V_{SD}^a | Diode Forward Voltage | $I_{SD}=1.7\text{A}, V_{GS}=0\text{V}$ | - | 0.7 | 1.3 | V |
| Gate Charge Characteristics ^b | | | | | | |
| Q_g | Total Gate Charge | $V_{DS}=10\text{V}, V_{GS}=4.5\text{V},$ $I_{DS}=6\text{A}$ | - | 6.3 | 9 | nC |
| Q_{gs} | Gate-Source Charge | | - | 0.6 | - | |
| Q_{gd} | Gate-Drain Charge | | - | 2.4 | - | |

Electrical Characteristics (Cont.) (T_A = 25°C unless otherwise noted)

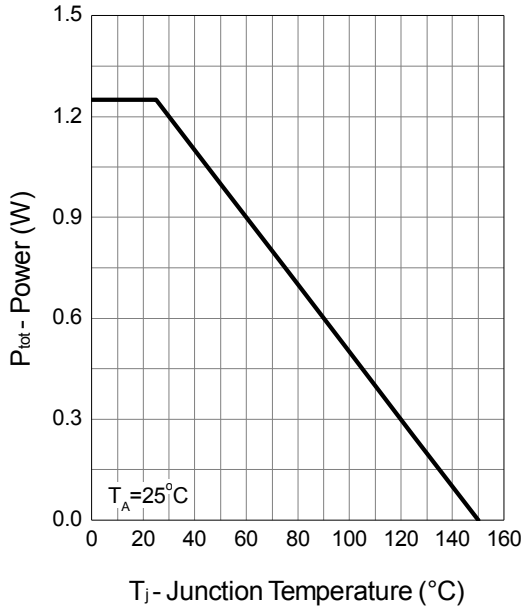
| Symbol | Parameter | Test Conditions | Min. | Typ. | Max. | Unit |
|---|------------------------------|--|------|------|------|------|
| Dynamic Characteristics ^b | | | | | | |
| R _G | Gate Resistance | V _{GS} =0V, V _{DS} =0V, F=1MHz | - | 4 | - | Ω |
| C _{iSS} | Input Capacitance | V _{GS} =0V, V _{DS} =10V, Frequency= 1.0MHz | - | 400 | - | pF |
| C _{oss} | Output Capacitance | | | | | |
| C _{rSS} | Reverse Transfer Capacitance | | | | | |
| t _{d(ON)} | Turn-on Delay Time | V _{DD} =10V, R _L =10Ω, I _{DS} =1A, V _{GEN} =4.5V, R _G =6Ω | - | 17 | 32 | ns |
| T _r | Turn-on Rise Time | | | | | |
| t _{d(OFF)} | Turn-off Delay Time | | | | | |
| T _f | Turn-off Fall Time | | | | | |

Note a : Pulse test ; pulse width ≤ 300 μs, duty cycle ≤ 2%.

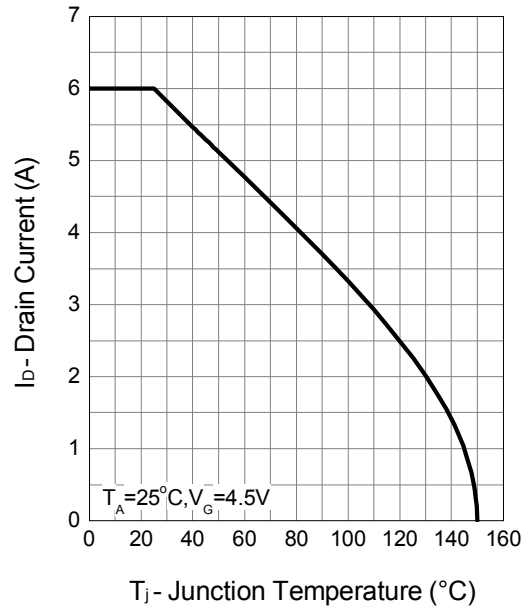
Note b : Guaranteed by design, not subject to production testing.

Typical Characteristics

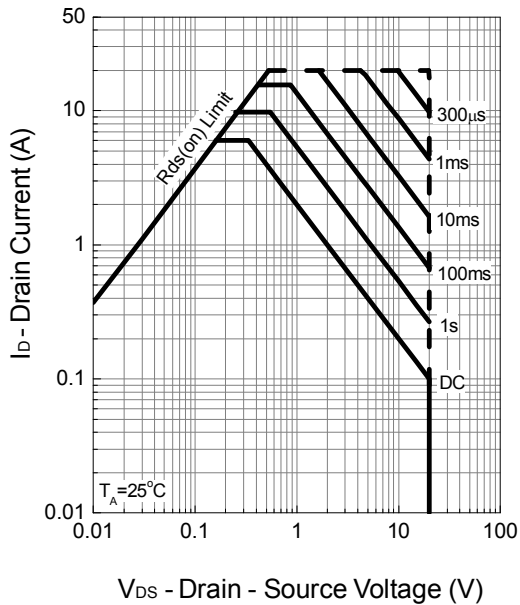
Power Dissipation



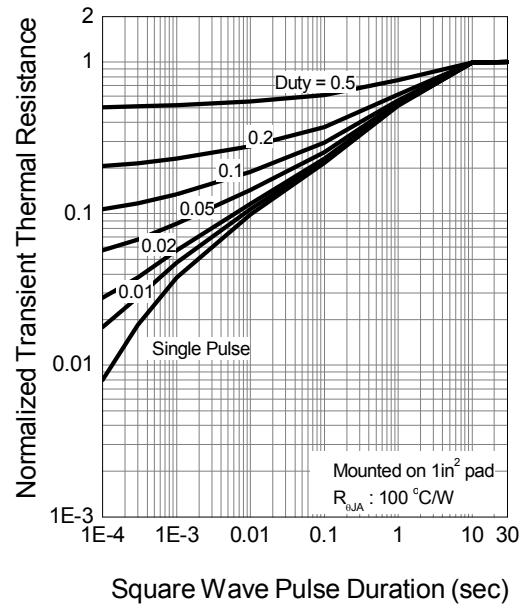
Drain Current



Safe Operation Area

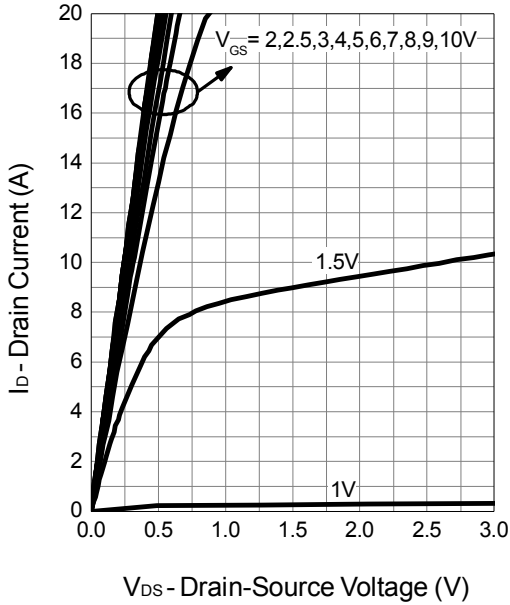


Thermal Transient Impedance

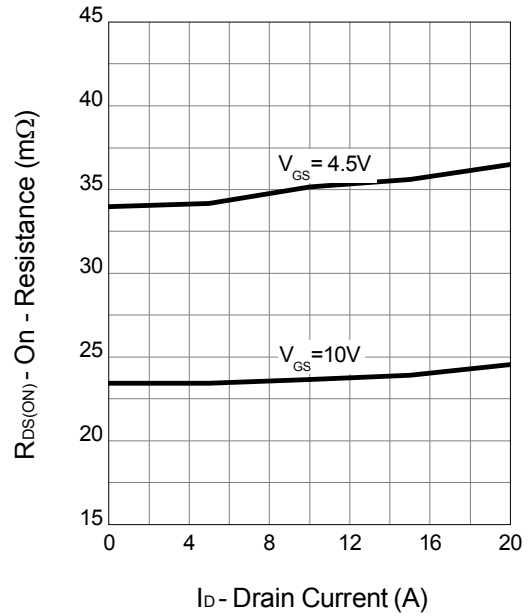


Typical Characteristics (Cont.)

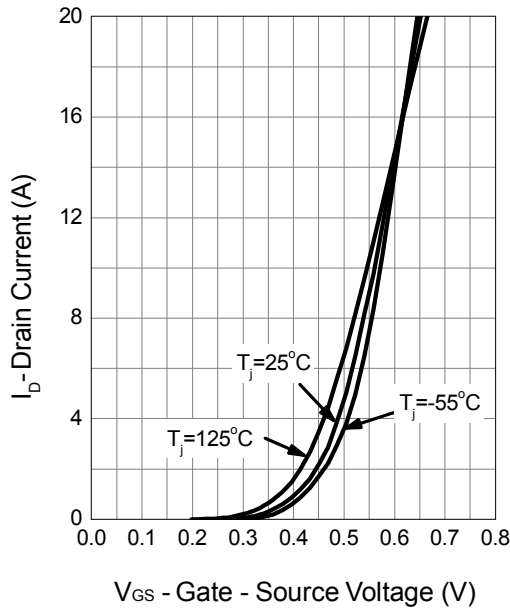
Output Characteristics



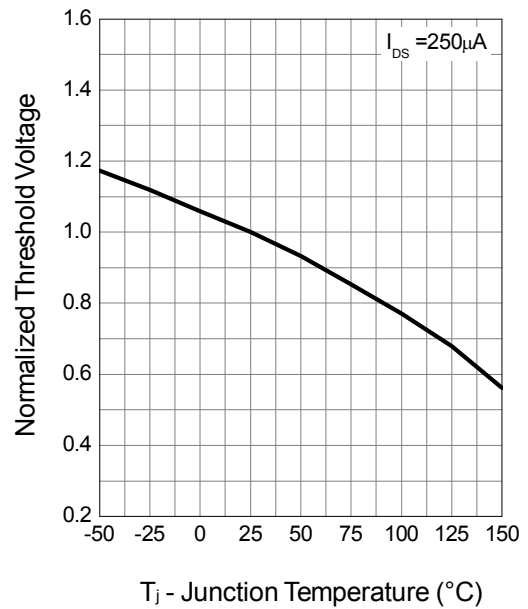
Drain-Source On Resistance



Transfer Characteristics

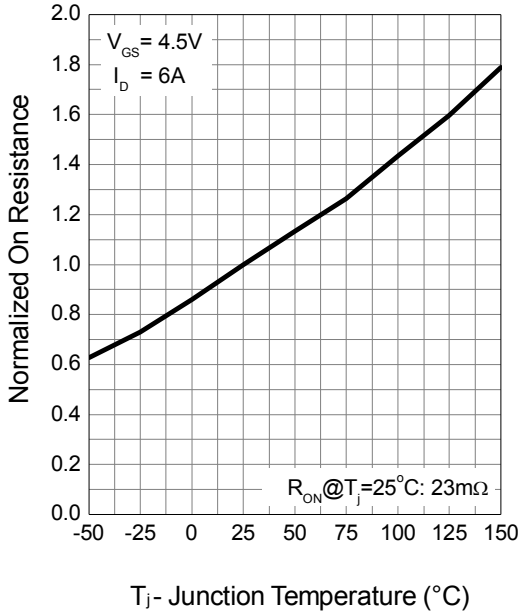


Gate Threshold Voltage

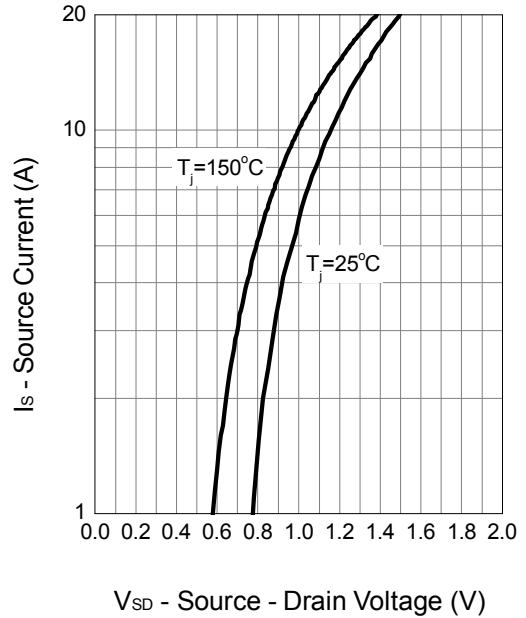


Typical Characteristics (Cont.)

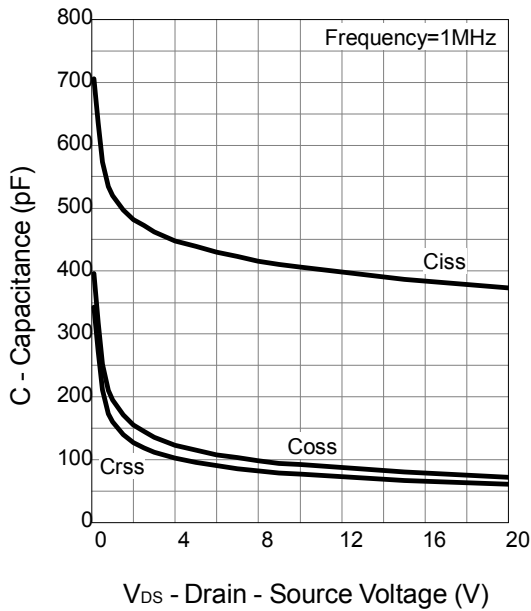
Drain-Source On Resistance



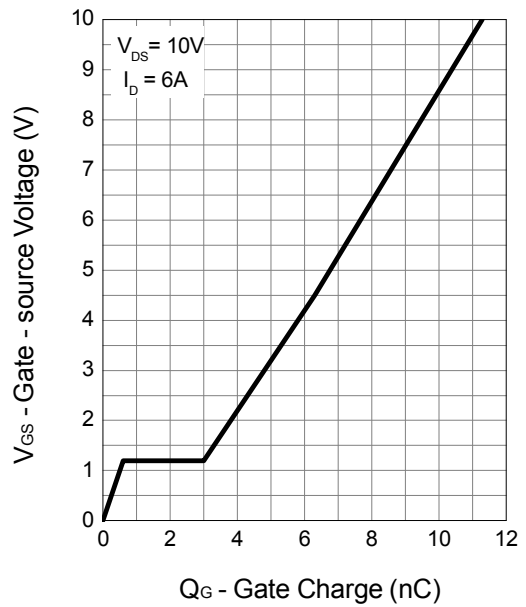
Source-Drain Diode Forward



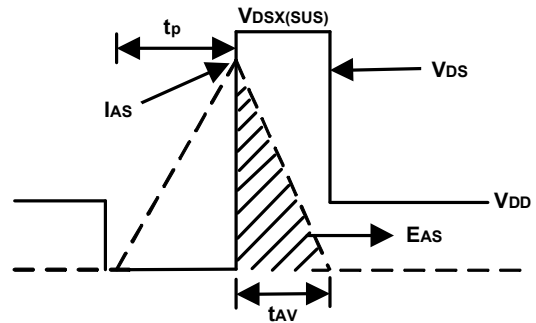
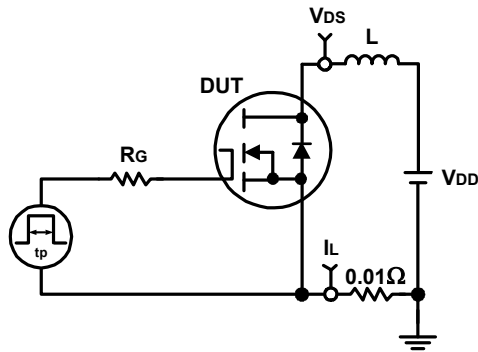
Capacitance



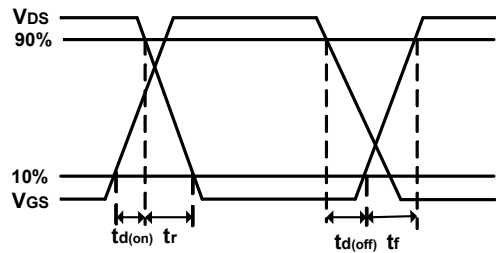
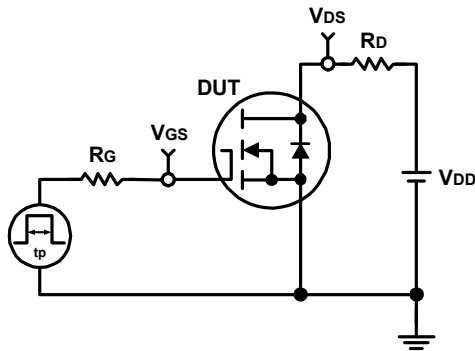
Gate Charge



Avalanche Test Circuit and Waveforms

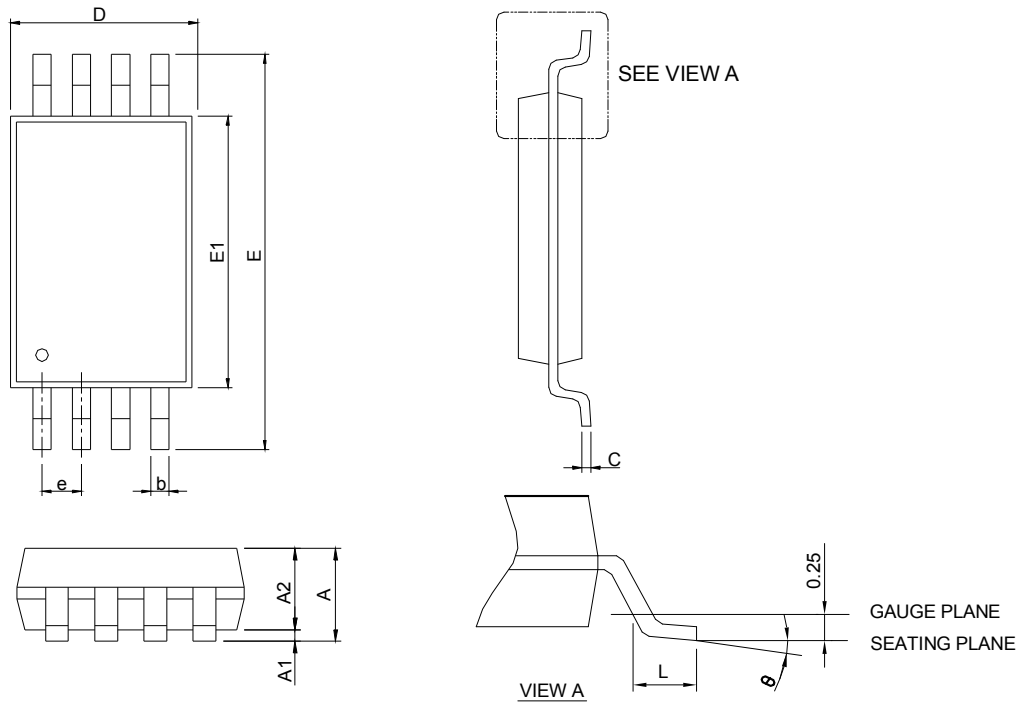


Switching Time Test Circuit and Waveforms



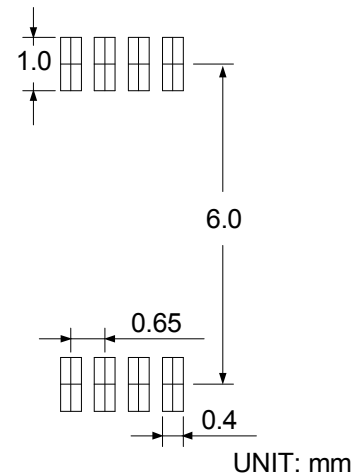
Package Information

TSSOP-8



| DIMENSIONS | TSSOP-8 | | | |
|------------|-------------|------|-----------|-------|
| | MILLIMETERS | | INCHES | |
| | MIN. | MAX. | MIN. | MAX. |
| A | - | 1.20 | - | 0.047 |
| A1 | 0.05 | 0.15 | 0.002 | 0.006 |
| A2 | 0.80 | 1.05 | 0.031 | 0.041 |
| b | 0.19 | 0.30 | 0.007 | 0.012 |
| c | 0.09 | 0.20 | 0.004 | 0.008 |
| D | 2.90 | 3.10 | 0.114 | 0.122 |
| E | 6.20 | 6.60 | 0.244 | 0.260 |
| E1 | 4.30 | 4.50 | 0.169 | 0.177 |
| e | 0.65 BSC | | 0.026 BSC | |
| L | 0.45 | 0.75 | 0.018 | 0.030 |
| θ | 0° | 8° | 0° | 8° |

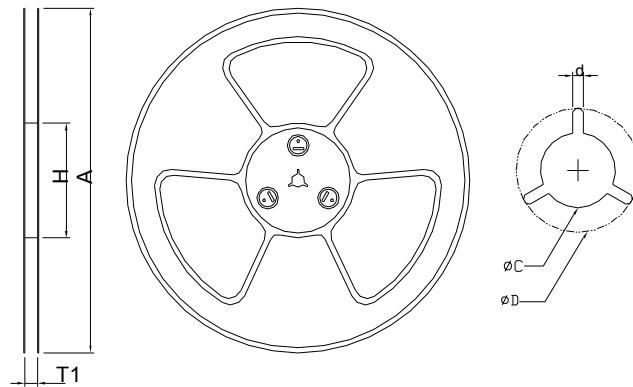
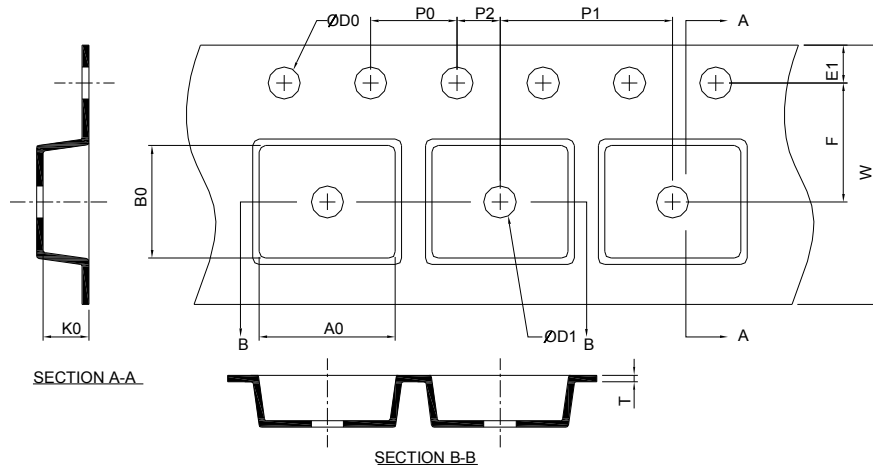
RECOMMENDED LAND PATTERN



Note : 1. Follow JEDEC MO-153 AA

- Dimension "D" does not include mold flash, protrusions or gate burrs. Mold flash, protrusion or gate burrs shall not exceed 6 mil per side.
- Dimension "E1" does not include inter-lead flash or protrusions. Inter-lead flash and protrusions shall not exceed 10 mil per side.

Carrier Tape & Reel Dimensions

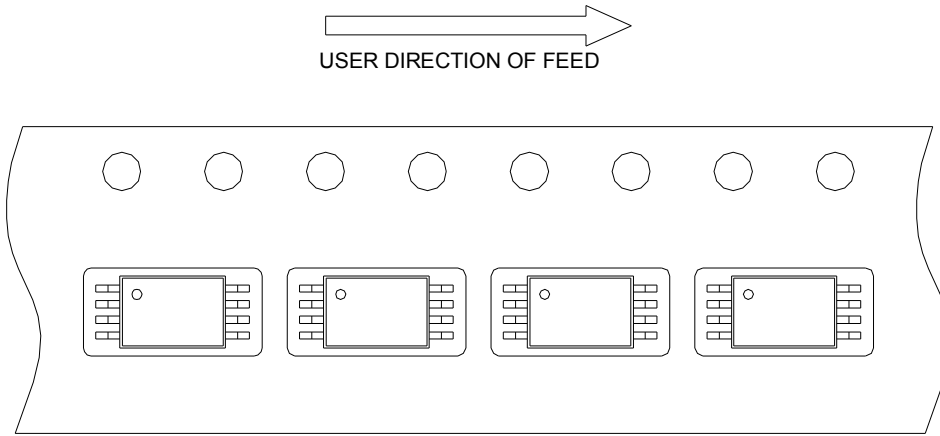


| Application | A | H | T1 | C | d | D | W | E1 | F |
|-------------|------------|-----------|--------------------|--------------------|-----------|-------------------|-----------|-----------|-----------|
| TSSOP-8 | 330.0±2.00 | 50 MIN. | 12.4+2.00 -0.00 | 13.0+0.50 -0.20 | 1.5 MIN. | 20.2 MIN. | 12.0±0.30 | 1.75±0.10 | 5.5±0.10 |
| | P0 | P1 | P2 | D0 | D1 | T | A0 | B0 | K0 |
| | 4.00±0.10 | 8.00±0.10 | 2.00±0.05 | 1.5+0.10 -0.00 | 1.5 MIN. | 0.6+0.00 -0.40 | 6.90±0.20 | 3.40±0.20 | 1.60±0.20 |

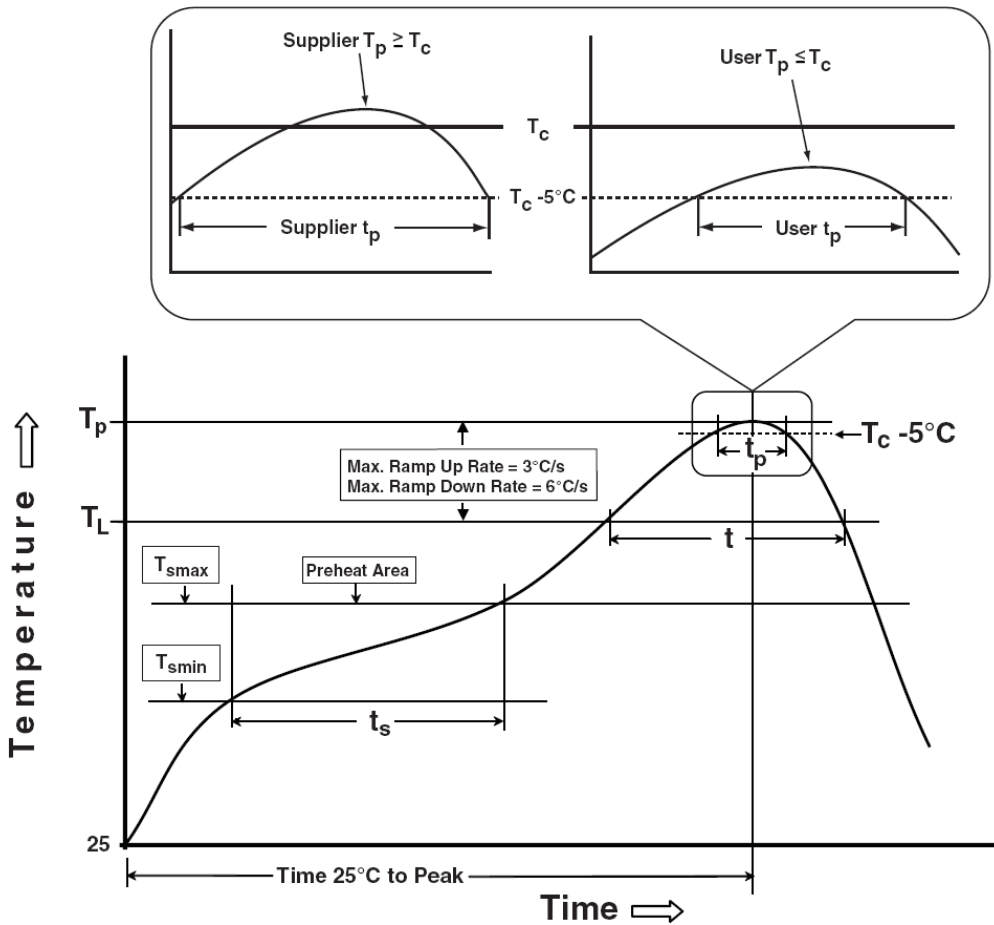
(mm)

Taping Direction Information

TSSOP-8



Classification Profile



Classification Reflow Profiles

| Profile Feature | Sn-Pb Eutectic Assembly | Pb-Free Assembly |
|--|------------------------------------|------------------------------------|
| Preheat & Soak | | |
| Temperature min (T_{smin}) | 100 °C | 150 °C |
| Temperature max (T_{smax}) | 150 °C | 200 °C |
| Time (T_{smin} to T_{smax}) (t_s) | 60-120 seconds | 60-120 seconds |
| Average ramp-up rate (T_{smax} to T_p) | 3 °C/second max. | 3°C/second max. |
| Liquidous temperature (T_L) | 183 °C | 217 °C |
| Time at liquidous (t_L) | 60-150 seconds | 60-150 seconds |
| Peak package body Temperature (T_p)* | See Classification Temp in table 1 | See Classification Temp in table 2 |
| Time (t_p)** within 5°C of the specified classification temperature (T_c) | 20** seconds | 30** seconds |
| Average ramp-down rate (T_p to T_{smax}) | 6 °C/second max. | 6 °C/second max. |
| Time 25°C to peak temperature | 6 minutes max. | 8 minutes max. |
| * Tolerance for peak profile Temperature (T_p) is defined as a supplier minimum and a user maximum. | | |
| ** Tolerance for time at peak profile temperature (t_p) is defined as a supplier minimum and a user maximum. | | |

Table 1. SnPb Eutectic Process – Classification Temperatures (T_c)

| Package Thickness | Volume mm ³ <350 | Volume mm ³ ≥350 |
|-------------------|--------------------------------|--------------------------------|
| <2.5 mm | 235 °C | 220 °C |
| ≥2.5 mm | 220 °C | 220 °C |

Table 2. Pb-free Process – Classification Temperatures (T_c)

| Package Thickness | Volume mm ³ <350 | Volume mm ³ 350-2000 | Volume mm ³ >2000 |
|-------------------|--------------------------------|------------------------------------|---------------------------------|
| <1.6 mm | 260 °C | 260 °C | 260 °C |
| 1.6 mm – 2.5 mm | 260 °C | 250 °C | 245 °C |
| ≥2.5 mm | 250 °C | 245 °C | 245 °C |

Reliability Test Program

| Test item | Method | Description |
|---------------|---------------|--|
| SOLDERABILITY | JESD-22, B102 | 5 Sec, 245°C |
| HTRB | JESD-22, A108 | 1000 Hrs, 80% of VDS max @ T_{jmax} |
| HTGB | JESD-22, A108 | 1000 Hrs, 100% of VGS max @ T_{jmax} |
| PCT | JESD-22, A102 | 168 Hrs, 100%RH, 2atm, 121°C |
| TCT | JESD-22, A104 | 500 Cycles, -65°C~150°C |

Customer Service

Sinopower Semiconductor, Inc.

5F, No. 6, Dusing 1St Rd., Hsinchu Science Park,

Hsinchu, 30078, Taiwan

TEL: 886-3-5635818 Fax: 886-3-5642050