



2.0A SUFACE MOUNT FAST RECOVERY RECTIFIERS-50-1000V

SM6 PACKAGE



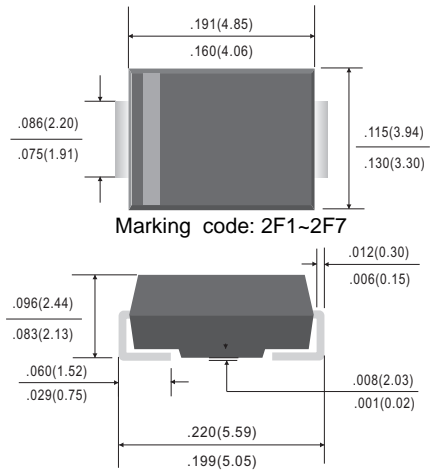
FEATURES

- * Glass passivated device
- * Ideal for surface mounted applications
- * Low leakage current
- * Metallurgically bonded construction

MECHANICAL DATA

- * Case: DO-214AA/SMB Molded plastic
- * Epoxy : Device has UL flammability classification 94V-0
- * Mounting position: Any
- * Weight: 0.095 grams (approximate)
- * **Polarity:** Color band denotes cathode end
- * Moisture Sensitivity Level 1
- * **Pb-Free package is available**
RoHS product for packing code suffix "G"
Halogen free product for packing code suffix "H"

SMB/DO-214AA



Dimensions in inches and (millimeters)

MAXIMUM RATINGS AND ELECTRICAL CHARACTERISTICS

Ratings at 25 °C ambient temperature unless otherwise specified.
Single phase, half wave, 60 Hz, resistive or inductive load.
For capacitive load, derate current by 20%.

MAXIMUM RATINGS (At TA = 25°C unless otherwise noted)

RATINGS	SYMBOL	FFM201	FFM202	FFM203	FFM204	FFM205	FFM206	FFM207	UNITS
Maximum Recurrent Peak Reverse Voltage	V _{RRM}	50	100	200	400	600	800	1000	Volts
Maximum RMS Voltage	V _{RMS}	35	70	140	280	420	560	700	Volts
Maximum DC Blocking Voltage	V _{DC}	50	100	200	400	600	800	1000	Volts
Maximum Average Forward Rectified Current	I _O	2.0							Amps
Peak Forward Surge Current 8.3 ms single half sine-wave superimposed on rated load (JEDEC method)	I _{FSM}	50							Amps
Maximum Thermal Resistance	(Note 2) R _{θJL}	30							°C/W
	(Note 3) R _{θJA}	80							°C/W
Typical Junction Capacitance (Note 1)	C _J	20							pF
Operating and Storage Temperature Range	T _J , T _{STG}	-65 to + 150							°C

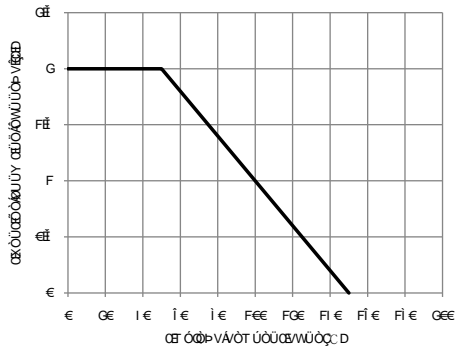
ELECTRICAL CHARACTERISTICS (At TA = 25°C unless otherwise noted)

CHARACTERISTICS	SYMBOL	FFM201	FFM202	FFM203	FFM204	FFM205	FFM206	FFM207	UNITS
Maximum Forward Voltage at 2.0A DC	V _F	1.3							Volts
Maximum Full Load Reverse Current, Full cycle Average at TA=50°C	I _R	50							uAmps
Maximum DC Reverse Current at @TA = 25°C		5.0							uAmps
Rated DC Blocking Voltage @TA = 100°C		100							uAmps
Maximum Reverse Recovery Time (Note 4)	t _{rr}	150				250	500		nSec

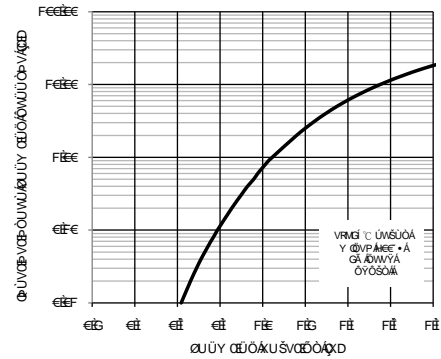
- NOTES : 1. Measured at 1.0 MHz and applied average voltage of 4.0VDC
 2. Thermal resistance junction to terminal 6.0mm² copper pads to each terminal.
 3. Thermal resistance junction to ambient, 6.0mm² copper pads to each terminal.
 4. Test Conditions: I_F = 0.5A, I_R = -1.0A, I_{RR} = -0.25A



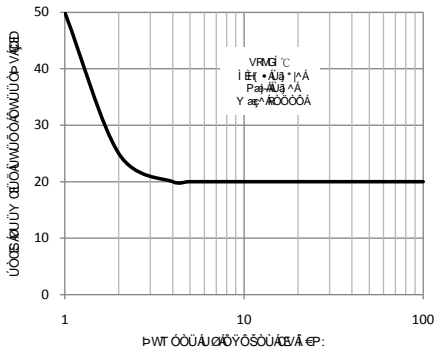
αθξβγυτσζηυϕ ροδθωυπδνβ/ρδσζεφθδθωυχδ



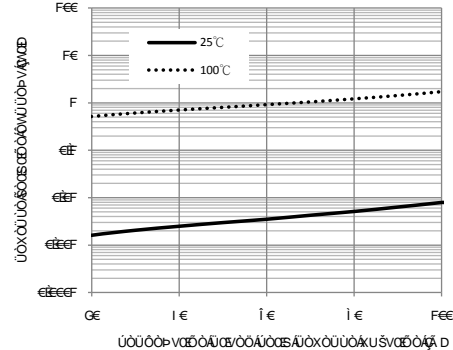
αθξβγυτσζηυϕ ροδθωυπδνβ/ρδσζεφθδθωυχδ



αθξβγ υα WT ΔPUBEUONVAQOΔBUUY αδθλμυδθδθωυπδνβ



αθξβγυτσζηυϕ ροδθωυπδνβ/ρδσζεφθδθωυχδ



αθξβγυτσζηυϕ ροδθωυπδνβ/ρδσζεφθδθωυχδ

