

GA6 "D57?5; 9

## FEATURES

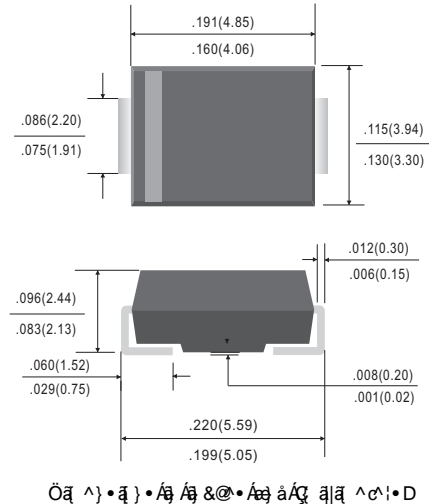
- 
- 
- 
- 
- 
- 
- 
- 
- 
- 

## MECHANICAL DATA

- 
- 
- 
- 
- 

Pb-Free package is available

- RoHS product for packing code suffix "G"
- Halogen free product for packing code suffix "H"



## THERMAL RATING

- Ratings at 25°C ambient temperature unless otherwise specified.
- Single phase half wave, 60Hz, resistive or inductive load.
- For capacitive load, derate current by 20%

RATINGS	SYMBOL	SK52B	SK53B	SK54B	SK55B	SK56B	SK58B	SK510B	SK515B	SK520B	UNIT	
Marking Code		SK52B	SK53B	SK54B	SK55B	SK56B	SK58B	SK510B	SK515B	SK520B		
Maximum Recurrent Peak Reverse Voltage	VRRM	20	30	40	50	60	80	100	150	200	Volts	
Maximum RMS Voltage	VRMS	14	21	28	35	42	56	70	105	140	Volts	
Maximum DC Blocking Voltage	VDC	20	30	40	50	60	80	100	150	200	Volts	
Maximum Average Forward Rectified Current	IO	5.0									Amps	
Peak Forward Surge Current 8.3 ms single half sine-wave superimposed on rated load (JEDEC method)	IFSM	100.0									Amps	
Typical Thermal Resistance (Note 2)	ROJA/ROJC	60/20									°C/W	
Typical Junction Capacitance (Note 1)	CJ	300			210		170		150		110	PF
Operating Temperature Range	TJ	-55 to +125							-55 to +150			°C
Storage Temperature Range	TSTG	-55 to +150									°C	

CHARACTERISTICS	SYMBOL	SK52B	SK53B	SK54B	SK55B	SK56B	SK58B	SK510B	SK515B	SK520B	UNIT	
Maximum Forward Voltage at 5.0A DC	VF	0.55			0.70		0.85		0.87		0.90	Volts
Maximum Average Reverse Current at Rated DC Blocking Voltage	@Ta=25°C	0.5									mAmps	
	@Ta=100°C	20										

•

## RATING AND CHARACTERISTIC CURVES

FIG. 1-TYPICAL FORWARD CURRENT DERATING CURVE

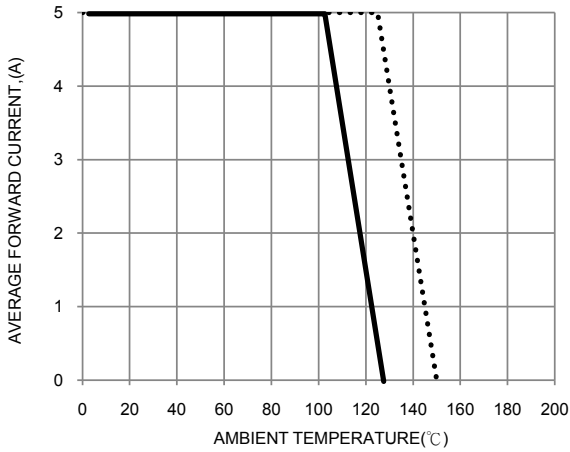


FIG. 2-TYPICAL FORWARD CHARACTERISTICS

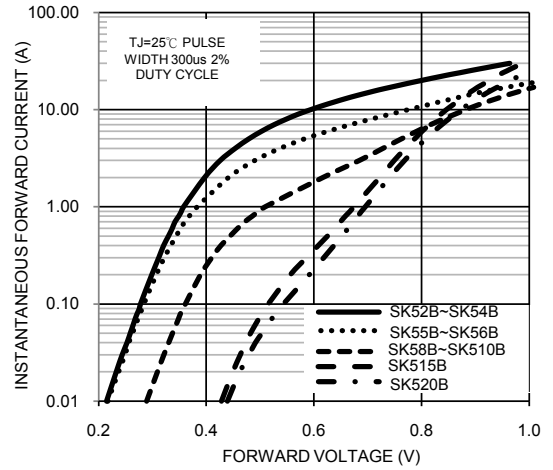


FIG. 3-MAXIMUM NON-REPETITIVE FORWARD SURGE CURRENT

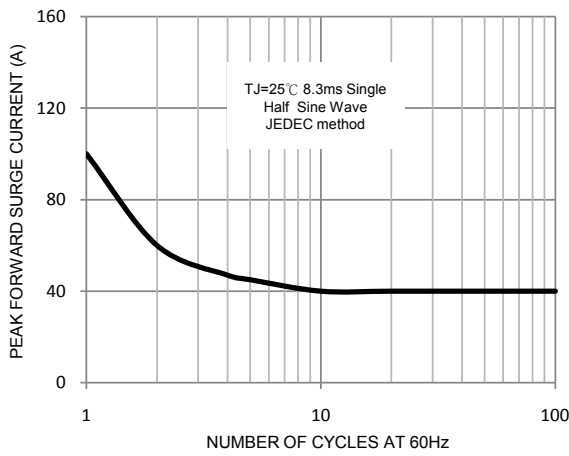


FIG. 4-TYPICAL REVERSE CHARACTERISTICS

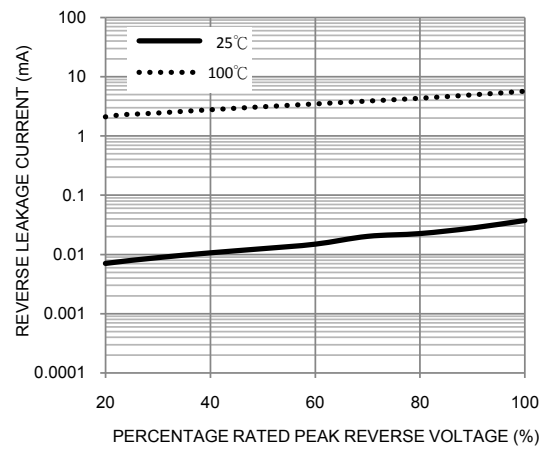
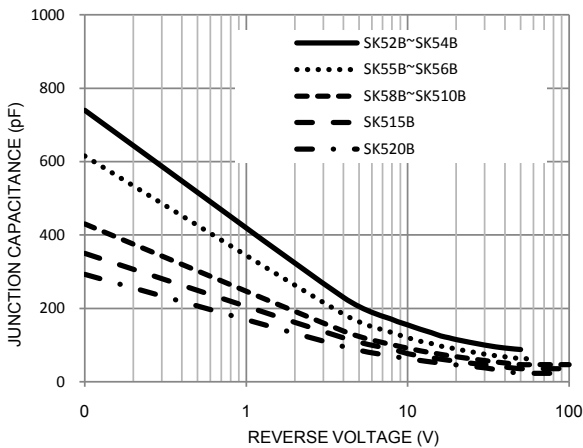


FIG. 5-TYPICAL JUNCTION CAPACITANCE



**Ordering Information:**

Device PN	Packing
Part Number -T <sup>(1)</sup> G <sup>(2)</sup> -WS	Tape&Reel: 3 Kpcs/Reel

Note: (1) Packing code, Tape & Reel Packing

(2) RoHS product for packing code suffix "G" ; Halogen free product for packing code suffix "H"

**\*\*\*Disclaimer\*\*\***

WILLAS reserves the right to make changes without notice to any product specification herein, to make corrections, modifications, enhancements or other changes. WILLAS or anyone on its behalf assumes no responsibility or liability for any errors or inaccuracies. Data sheet specifications and its information contained are intended to provide a product description only. "Typical" parameters which may be included on WILLAS data sheets and/ or specifications can and do vary in different applications and actual performance may vary over time. WILLAS does not assume any liability arising out of the application or use of any product or circuit.

WILLAS products are not designed, intended or authorized for use in medical, life-saving implant or other applications intended for life-sustaining or other related applications where a failure or malfunction of component or circuitry may directly or indirectly cause injury or threaten a life without expressed written approval of WILLAS. Customers using or selling WILLAS components for use in such applications do so at their own risk and shall agree to fully indemnify WILLAS Inc and its subsidiaries harmless against all claims, damages and expenditures.