

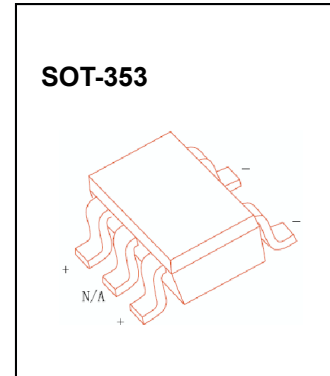
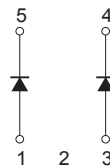


SOT-353 Plastic-Encapsulate Diodes

SCHOTTKY BARRIER DIODE

FEATURES

- Low current rectification
- High reliability
- **Pb-Free package is available**
RoHS product for packing code suffix "G"
Halogen free product for packing code suffix "H"
- Moisture Sensitivity Level 1



MARKING: 3U

Maximum Ratings and Electrical Characteristics, Single Diode @Ta=25°C

| Parameter | Symbol | Limit | Unit |
|--|-----------------|----------|------|
| Peak reverse voltage | V_{RM} | 30 | V |
| DC reverse | V_R | 30 | V |
| Peak forward surge current | I_{FSM} | 1 | A |
| Mean rectifying current | I_O | 0.2 | A |
| Power Dissipation | P_d | 150 | mW |
| Thermal Resistance Junction to Ambient | $R_{\theta JA}$ | 667 | °C/W |
| Operating temperature | T_J | -55~+125 | °C |
| Storage temperature | T_{stg} | -55~+150 | °C |

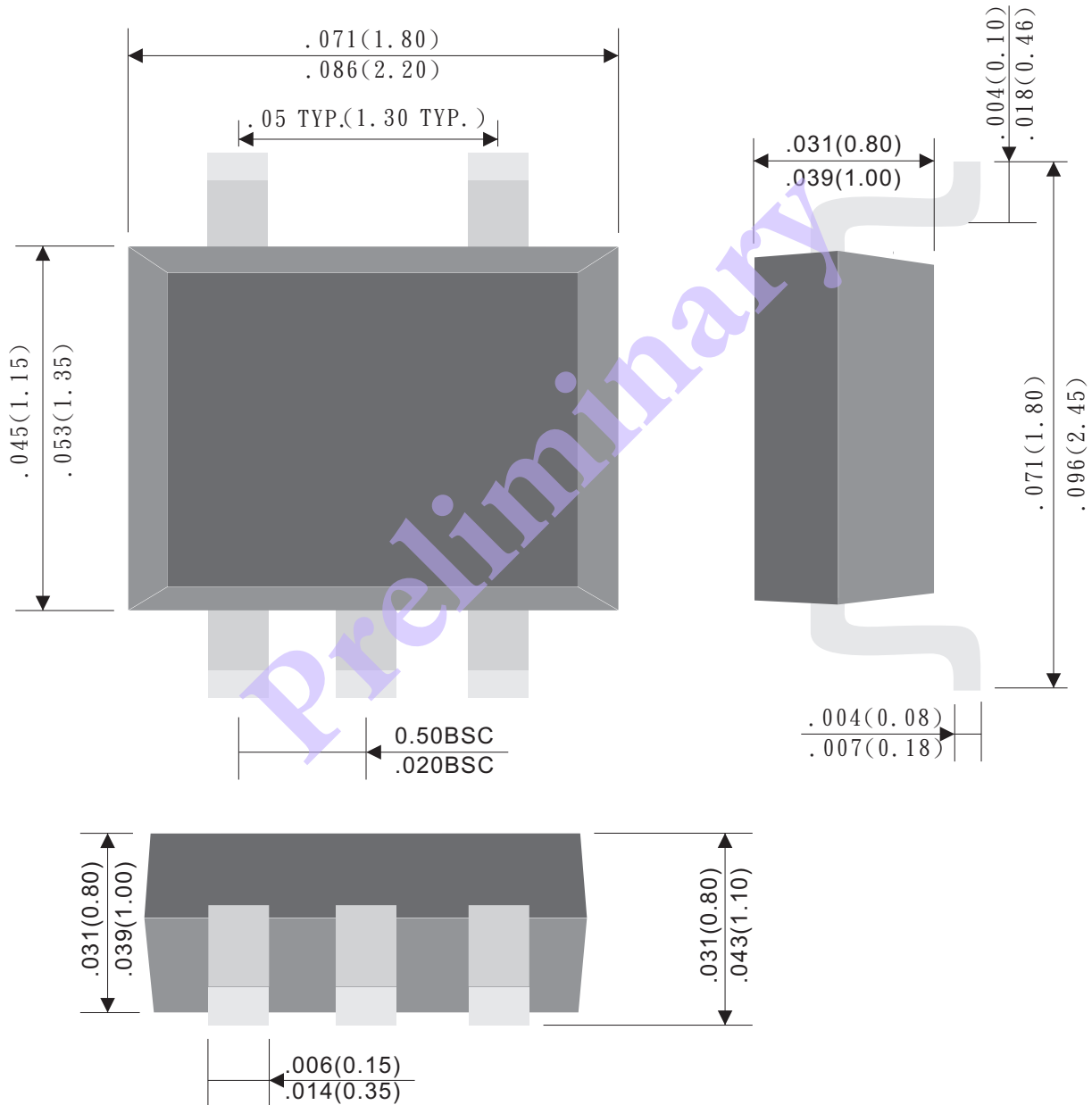
Electrical Ratings @Ta=25°C

| Parameter | Symbol | Min | Typ | Max | Unit | Conditions |
|-----------------|--------|-----|-----|------|------|-------------|
| Forward voltage | V_F | | | 0.28 | V | $I_F=1mA$ |
| | | | | 0.33 | | $I_F=10mA$ |
| | | | | 0.43 | | $I_F=100mA$ |
| | | | | 0.5 | | $I_F=200mA$ |
| Reverse current | I_R | | | 30 | μA | $V_R=10V$ |



Outline Drawing

SOT-353



Dimensions in inches and (millimeters)



SOT-353 Plastic-Encapsulate Diodes

Ordering Information:

| Device PN | Packing |
|--|------------------------|
| SCS481K -T ⁽¹⁾ G ⁽²⁾ -WS | Tape&Reel: 3 Kpcs/Reel |

Note: (1) Packing code, Tape & Reel Packing

(2) RoHS product for packing code suffix "G" ; Halogen free product for packing code suffix "H"

Disclaimer

WILLAS reserves the right to make changes without notice to any product specification herein, to make corrections, modifications, enhancements or other changes. WILLAS or anyone on its behalf assumes no responsibility or liability for any errors or inaccuracies. Data sheet specifications and its information contained are intended to provide a product description only. "Typical" parameters which may be included on WILLAS data sheets and/ or specifications can and do vary in different applications and actual performance may vary over time. WILLAS does not assume any liability arising out of the application or use of any product or circuit.

WILLAS products are not designed, intended or authorized for use in medical, life-saving implant or other applications intended for life-sustaining or other related applications where a failure or malfunction of component or circuitry may directly or indirectly cause injury or threaten a life without expressed written approval of WILLAS. Customers using or selling WILLAS components for use in such applications do so at their own risk and shall agree to fully indemnify WILLAS Inc and its subsidiaries harmless against all claims, damages and expenditures.