



SOT-23 Plastic-Encapsulate Diodes

SCHOTTKY BARRIER DIODE

FEATURES

- Small Surface Mounting Type
- Low V_F
- High Reliability
- **Pb-Free package is available**
RoHS product for packing code suffix "G"
Halogen free product for packing code suffix "H"
- **Moisture Sensitivity Level 1**

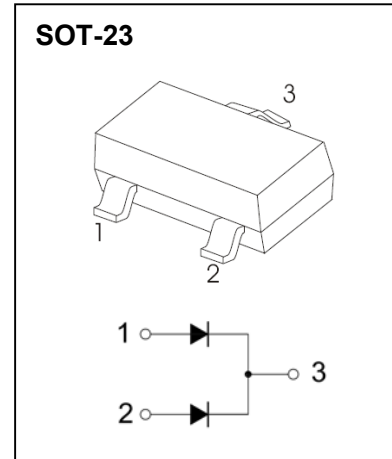
APPLICATIONS

- Low Power Rectification

MARKING: D3L

MAXIMUM RATINGS ($T_a=25^\circ\text{C}$ unless otherwise noted)

Symbol	Parameter	Value	Unit
V_R	Continuous Reverse Voltage	40	V
I_o	Continuous Forward Current	100	mA
I_{FSM}	Peak Forward Surge Current	1	A
P_D	Power Dissipation	250	mW
$R_{\theta JA}$	Thermal Resistance from Junction to Ambient	400	$^\circ\text{C/W}$
T_j	Operating Temperature	-55~+125	$^\circ\text{C}$
T_{stg}	Storage Temperature	-55~+150	$^\circ\text{C}$



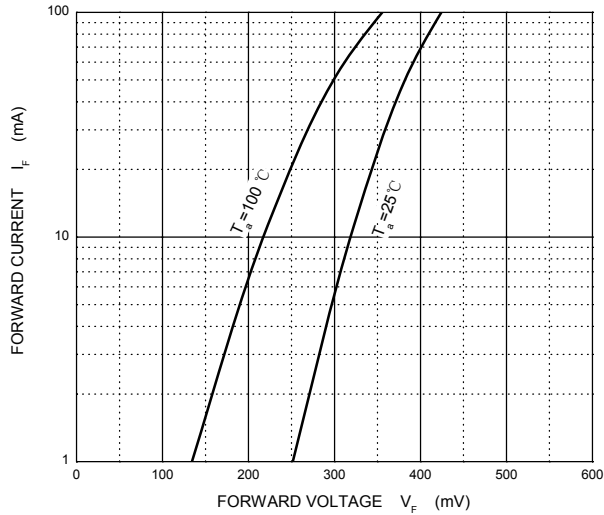
ELECTRICAL CHARACTERISTICS($T_a=25^\circ\text{C}$ unless otherwise specified)

Parameter	Symbol	Test conditions	Min	Typ	Max	Unit
Reverse voltage	$V_{(BR)}$	$I_R=100\mu\text{A}$	40			V
Reverse current	I_R	$V_R=10\text{V}$			30	μA
Forward voltage	V_F	$I_F=100\text{mA}$			0.55	V
		$I_F=10\text{mA}$			0.34	
Total capacitance	C_{tot}	$V_R=10\text{V}, f=1\text{MHz}$		6		pF

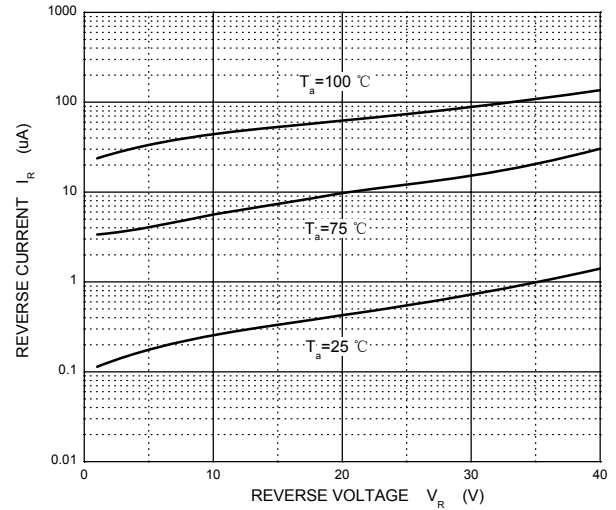


Typical Characteristics

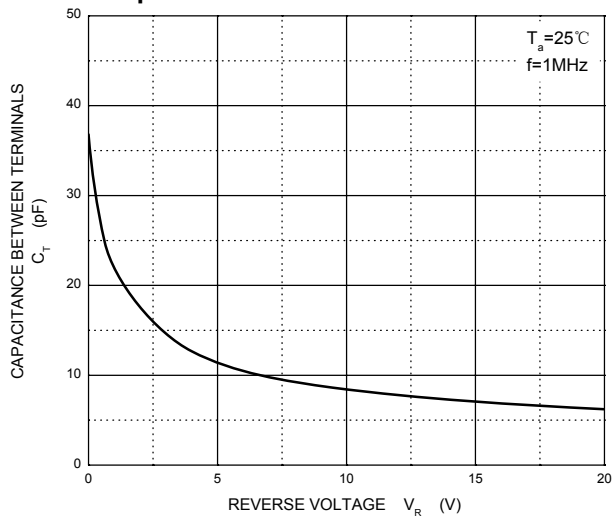
Forward Characteristics



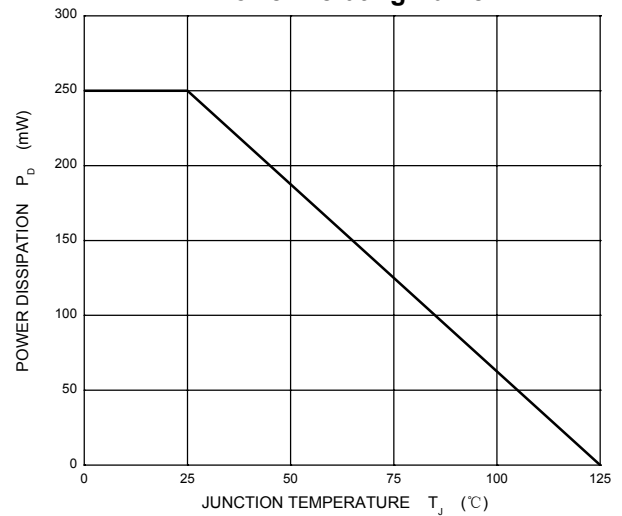
Reverse Characteristics



Capacitance Characteristics Per Diode



Power Derating Curve

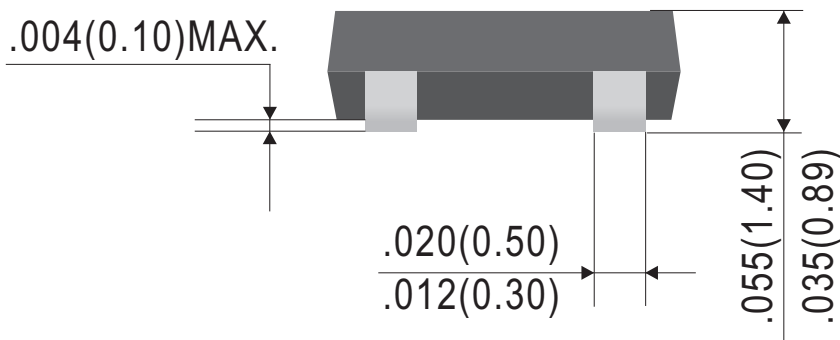
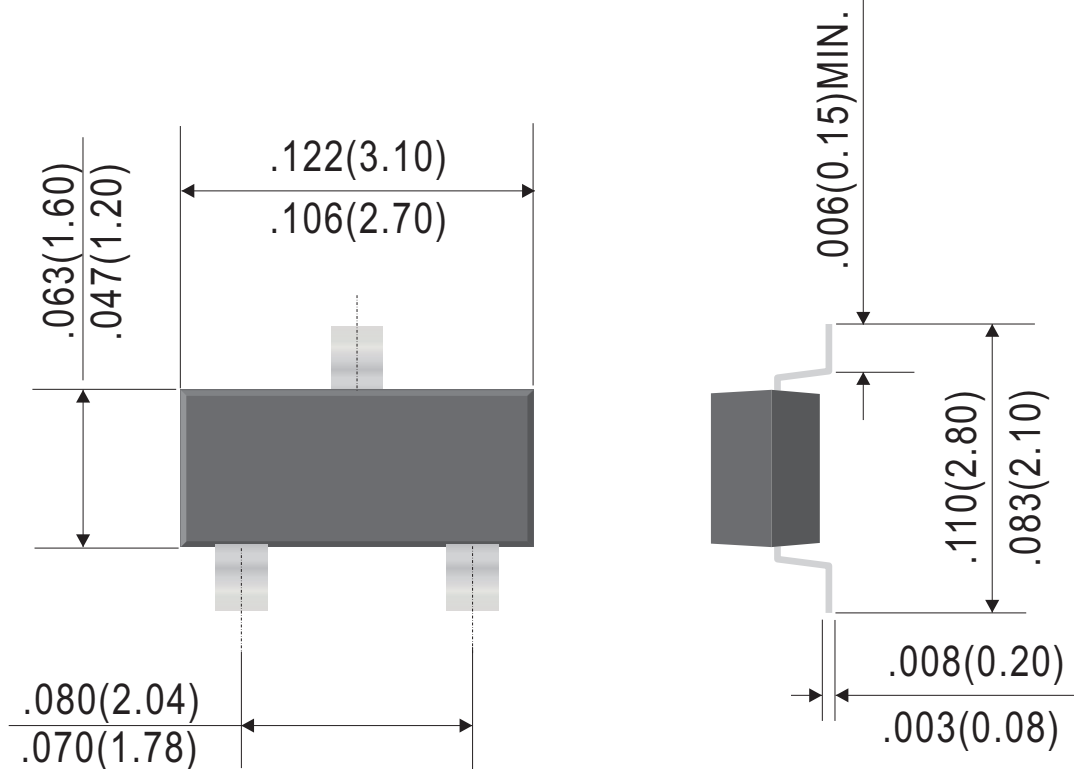




SOT-23 Plastic-Encapsulate Diodes

Outline Drawing

SOT-23



Dimensions in inches and (millimeters)



WILLAS



SOT-23 Plastic-Encapsulate Diodes

SCS425DS

Ordering Information:

Device PN	Packing
SCS425DS -T ⁽¹⁾ G ⁽²⁾ -WS	Tape&Reel: 3 Kpcs/Reel

Note: (1) Packing code, Tape & Reel Packing

(2) RoHS product for packing code suffix "G" ; Halogen free product for packing code suffix "H"

*****Disclaimer*****

WILLAS reserves the right to make changes without notice to any product specification herein, to make corrections, modifications, enhancements or other changes. WILLAS or anyone on its behalf assumes no responsibility or liability for any errors or inaccuracies. Data sheet specifications and its information contained are intended to provide a product description only. "Typical" parameters which may be included on WILLAS data sheets and/ or specifications can and do vary in different applications and actual performance may vary over time. WILLAS does not assume any liability arising out of the application or use of any product or circuit.

WILLAS products are not designed, intended or authorized for use in medical, life-saving implant or other applications intended for life-sustaining or other related applications where a failure or malfunction of component or circuitry may directly or indirectly cause injury or threaten a life without expressed written approval of WILLAS. Customers using or selling WILLAS components for use in such applications do so at their own risk and shall agree to fully indemnify WILLAS Inc and its subsidiaries harmless against all claims, damages and expenditures.