



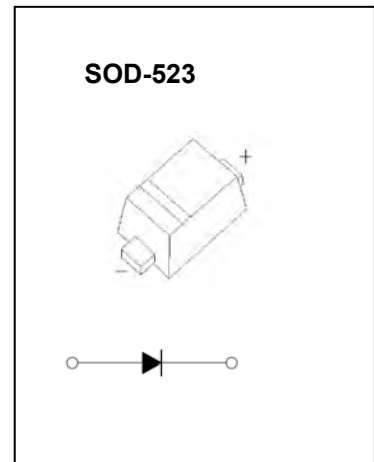
SOD-523 Plastic-Encapsulate Diodes

SCS751S

Schottky barrier Diode

FEATURES

- Small surface mounting type
- Low reverse current and low forward voltage
- High reliability
- **Pb-Free package is available**
RoHS product for packing code suffix "G"
Halogen free product for packing code suffix "H"



MARKING: 5

Maximum Ratings and Electrical Characteristics, Single Diode @Ta=25°C

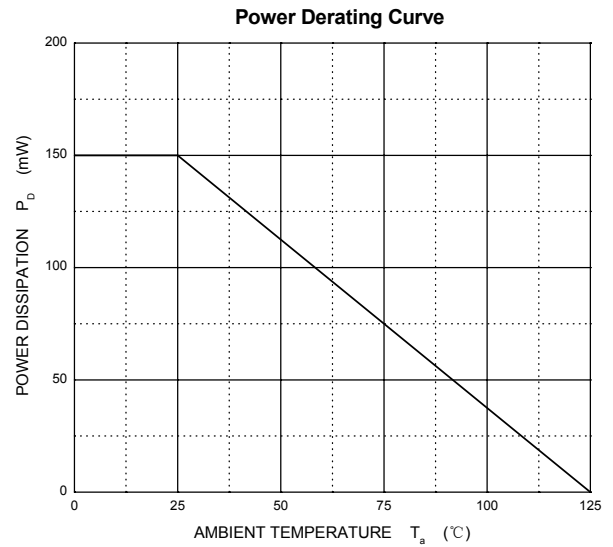
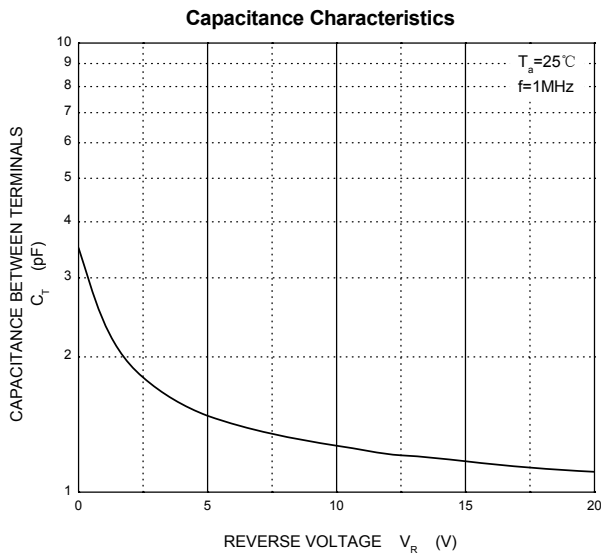
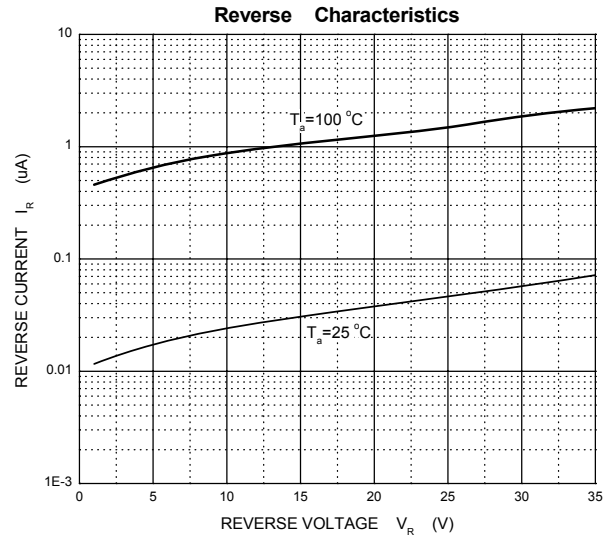
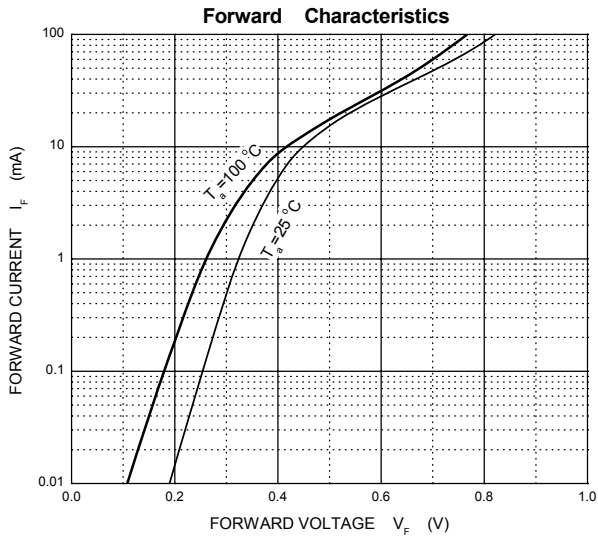
| Parameter | Symbol | Limit | Unit |
|--|-----------------|----------|------|
| Peak reverse voltage | V_{RM} | 40 | V |
| DC reverse voltage | V_R | 30 | V |
| Mean rectifying current | I_O | 30 | mA |
| Peak forward surge current | I_{FSM} | 200 | mA |
| Power dissipation | P_D | 150 | mW |
| Thermal Resistance Junction to Ambient | $R_{\theta JA}$ | 667 | °C/W |
| Junction temperature | T_j | 125 | °C |
| Storage temperature | T_{stg} | -55~+150 | °C |

Electrical Ratings @Ta=25°C

| Parameter | Symbol | Min | Typ | Max | Unit | Conditions |
|-------------------------------|--------|-----|-----|------|---------|------------------|
| Forward voltage | V_F | | | 0.37 | V | $I_F=1mA$ |
| Reverse current | I_R | | | 0.5 | μA | $V_R=30V$ |
| Capacitance between terminals | C_T | | 2 | | pF | $V_R=1V, f=1MHz$ |



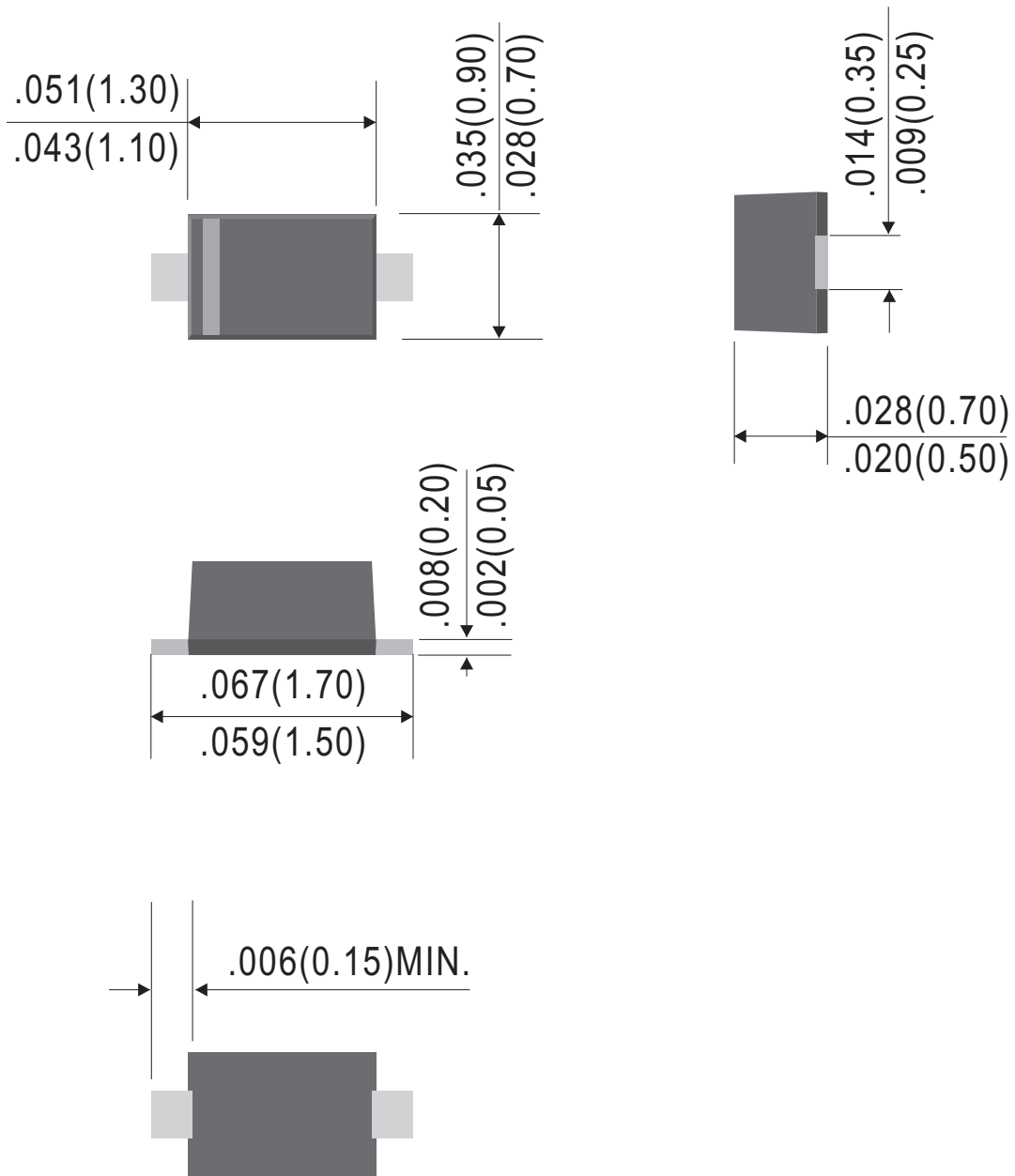
Typical Characteristics





Outline Drawing

SOD-523



Dimensions in inches and (millimeters)