

General Purpose Transistors

9013xLT1

NPN Silicon

FEATURE

We declare that the material of product compliance with RoHS requirements.

Pb-Free package is available

RoHS product for packing code suffix "G"

Halogen free product for packing code suffix "H"

Moisture Sensitivity Level 1

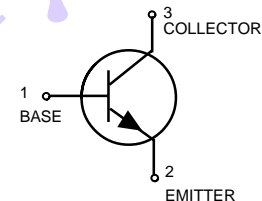
DEVICE MARKING AND ORDERING INFORMATION

Device	Marking	Shipping
9013PLT1	13P	3000/Tape&Reel
9013QLT1	13Q	3000/Tape&Reel
9013RLT1	13R	3000/Tape&Reel
9013SLT1	13S	3000/Tape&Reel



MAXIMUM RATINGS

Rating	Symbol	Value	Unit
Collector-Emitter Voltage	V_{CEO}	20	V
Collector-Base Voltage	V_{CBO}	40	V
Emitter-Base Voltage	V_{EBO}	5	V
Collector current-continuoun	I_C	500	mA



THERMAL CHARATEERISTICS

Characteristic	Symbol	Max	Unit
Total Device Dissipation FR-5 Board, (1) $T_A=25^{\circ}\text{C}$	P_D	225	mW
Derate above 25°C		1.8	mW/ $^{\circ}\text{C}$
Thermal Resistance, Junction to Ambient	$R_{\theta JA}$	556	$^{\circ}\text{C}/\text{W}$
Total Device Dissipation Alumina Substrate, (2) $T_A=25^{\circ}\text{C}$	P_D	300	mW
Derate above 25°C		2.4	mW/ $^{\circ}\text{C}$
Thermal Resistance, Junction to Ambient	$R_{\theta JA}$	417	$^{\circ}\text{C}/\text{W}$
Junction and Storage Temperature	T_j, T_{stg}	-55 to +150	$^{\circ}\text{C}$

DEVICE MARKING

9013QLT1=13Q	9013RLT1=13R	9013SLT1=13S
--------------	--------------	--------------

ELECTRICAL CHARACTERISTICS ($T_A=25^{\circ}\text{C}$ unless otherwise noted)

Characteristic	Symbol	Min	Typ	Max	Unit
----------------	--------	-----	-----	-----	------

OFF CHARACTERISTICS

Collector-Emitter Breakdown Voltage ($I_C=1.0\text{mA}$)	$V_{(BR)CEO}$	20	-	-	V
Emitter-Base Breakdown Voltage ($I_E=100\mu\text{A}$)	$V_{(BR)EBO}$	5	-	-	V
Collector-Base Breakdown Voltage ($I_C=100\mu\text{A}$)	$V_{(BR)CBO}$	40	-	-	V
Collector Cutoff Current ($V_{CB}=35\text{V}$)	I_{CBO}	-	-	150	nA
Emitter Cutoff Current ($V_{EB}=4\text{V}$)	I_{EBO}	-	-	150	nA

General Purpose Transistors

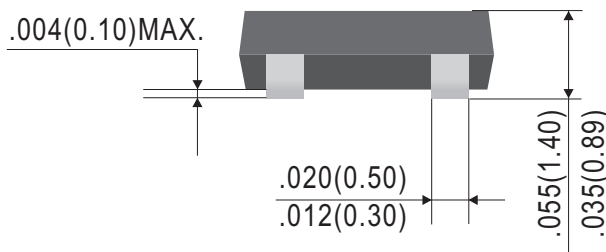
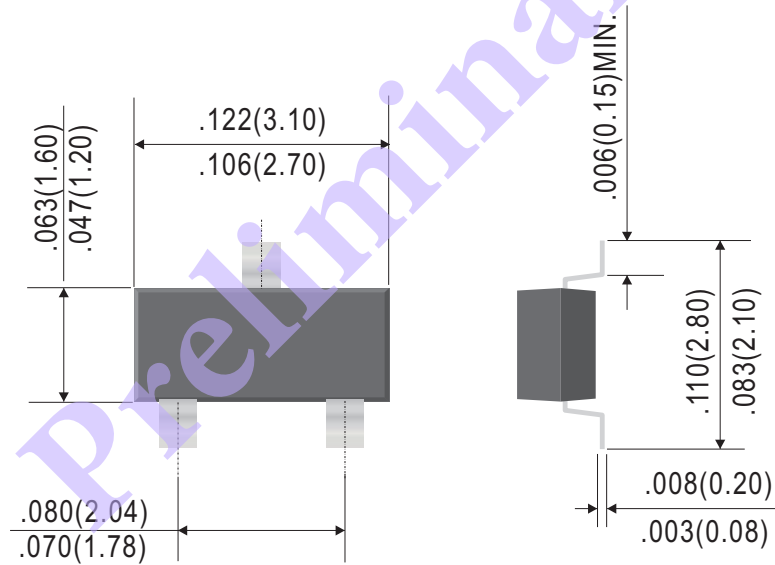
ON CHARACTERISTICS

DC Current Gain ($I_c=50mA, V_{CE}=1V$)	H_{fe}	100	-	600	
Collector-Emitter Saturation Voltage ($I_c=50mA, I_b=50mA$)	$V_{CE(S)}$	-	-	0.6	V

NOTE:

*	P	Q	R	S
H_{FE}	100~200	150~300	200~400	300~600

SOT-23



Dimensions in inches and (millimeters)

Ordering Information:

Device PN	Packing
9013 x ⁽²⁾ LT1 G ⁽¹⁾ -WS	Tape&Reel: 3 Kpcs/Reel

Note: (1) RoHS product for packing code suffix "G" ; Halogen free product for packing code suffix "H"

(2) CLASSIFICATION OF hFE RANK

*****Disclaimer*****

WILLAS reserves the right to make changes without notice to any product specification herein, to make corrections, modifications, enhancements or other changes. WILLAS or anyone on its behalf assumes no responsibility or liability for any errors or inaccuracies. Data sheet specifications and its information contained are intended to provide a product description only. "Typical" parameters which may be included on WILLAS data sheets and/ or specifications can and do vary in different applications and actual performance may vary over time. WILLAS does not assume any liability arising out of the application or use of any product or circuit.

WILLAS products are not designed, intended or authorized for use in medical, life-saving implant or other applications intended for life-sustaining or other related applications where a failure or malfunction of component or circuitry may directly or indirectly cause injury or threaten a life without expressed written approval of WILLAS. Customers using or selling WILLAS components for use in such applications do so at their own risk and shall agree to fully indemnify WILLAS Inc and its subsidiaries harmless against all claims, damages and expenditures.