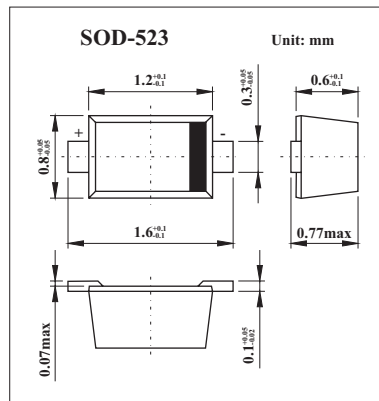


1SS381

■ Features

- Small Total Capacitance: $C_T = 1.2\text{pF}(\text{Max.})$
- Low Series Resistance: $r_s = 0.6 \Omega(\text{Typ.})$



■ Absolute Maximum Ratings $T_a = 25^\circ\text{C}$

Parameter	Symbol	Rating	Unit
Reverse voltage	V_R	30	V
Forward current	I_F	100	mA
Junction temperature	T_j	125	$^\circ\text{C}$
Storage temperature range	T_{stg}	-55 to +125	$^\circ\text{C}$

■ Electrical Characteristics $T_a = 25^\circ\text{C}$

Parameter	Symbol	Conditions	Min	Typ	Max	Unit
Forward voltage	V_F	$I_F = 2 \text{ mA}$			0.85	V
Reverse current	I_R	$V_R = 15 \text{ V}$			0.1	μA
Reverse voltage	V_R	$I_R = 1 \mu\text{A}$	30			V
Total capacitance	C_T	$V_R = 6 \text{ V}, f = 1 \text{ MHz}$		0.7	1.2	pF
Series resistance	r_s	$I_F = 2 \text{ mA}, f = 100 \text{ MHz}$		0.6	0.9	Ω

■ Marking

Marking	TY
---------	----