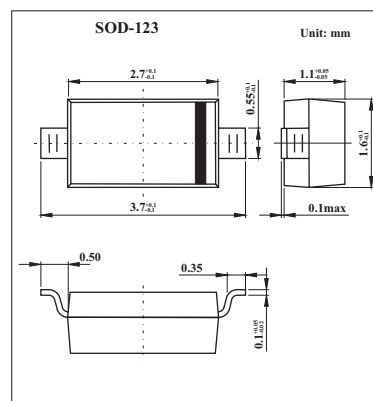


HVD145



■ Features

- An optimal solution for antenna switching in mobile phones.
- Low capacitance. (C = 0.45 pF max)
- Low forward resistance. (rf = 1.8 Ω max)

■ Absolute Maximum Ratings Ta = 25 °C

Parameter	Symbol	Value	Unit
Reverse voltage	V _R	60	V
Forward current	I _F	50	mA
Power dissipation	P _d	150	mW
Junction temperature	T _j	125	°C
Storage temperature	T _{stg}	-55 to +125	°C

■ Electrical Characteristics Ta = 25 °C

Parameter	Symbol	Conditions	Min	Typ	Max	Unit
Reverse current	I _R	V _R = 60 V			100	μA
Reverse voltage	V _F	I _R = 2 mA			0.9	V
Capacitance	C	V _R = 1 V, f = 1 MHz			0.45	pF
Forward resistance	r _f	I _F = 10 mA, f = 100 MHz			1.8	Ω
ESD-Capability *1		C = 200 pF, R = 0 Ω, Both forward and reverse direction 1 pulse.	100			V

Note

1. Failure criterion ; I_R > 100 nA at V_R = 60 V

■ Marking

Marking	T5
---------	----