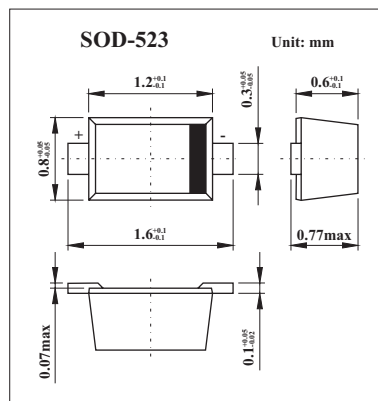


# HVC131

■ Features

- Low capacitance. (C=0.8pF max)
- Low forward resistance. (rf=1.0 Ω max)



■ Absolute Maximum Ratings Ta = 25°C

Parameter	Symbol	Value	Unit
Peak reverse voltage	V <sub>RM</sub>	65	V
Reverse voltage	V <sub>R</sub>	60	V
Forward current	I <sub>F</sub>	100	mA
Power dissipation	P <sub>d</sub>	150	mW
Junction temperature	T <sub>j</sub>	125	°C
Storage temperature	T <sub>stg</sub>	-55 to +125	°C

■ Electrical Characteristics Ta = 25°C

Parameter	Symbol	Test Condition	Min	Typ	Max	Unit
Reverse current	I <sub>R</sub>	V <sub>R</sub> = 60 V			0.1	μA
Reverse voltage	V <sub>F</sub>	I <sub>F</sub> = 10 mA			1.0	V
Capacitance	C	V <sub>R</sub> = 1 V, f = 1 MHz			0.8	pF
Forward resistance	r <sub>f</sub>	I <sub>F</sub> = 10 mA, f = 100 MHz			1.0	Ω

■ Marking

Marking	P1
---------	----