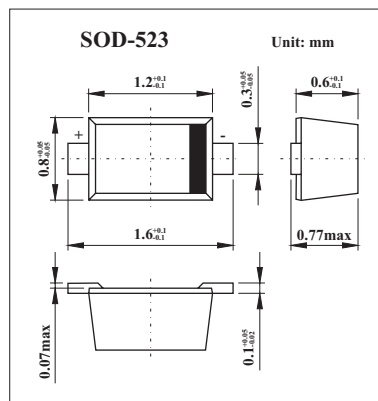


BAP64-02

■ Features

- High voltage, current controlled
- RF resistor for RF attenuators and switches
- Low diode capacitance
- Low diode forward resistance
- Very low series inductance
- For applications up to 3 GHz.



■ Absolute Maximum Ratings Ta = 25 °C

Parameter	Symbol	Min	Max	Unit
continuous reverse voltage	V_R		175	V
continuous forward current	I_F		100	mA
total power dissipation $T_s = 90^\circ\text{C}$	P_{tot}		715	mW
storage temperature	T_{stg}	-65	+150	$^\circ\text{C}$
junction temperature	T_j	-65	+150	$^\circ\text{C}$
thermal resistance from junction to soldering point	$R_{th\ j-s}$		85	K/W

■ Electrical Characteristics Ta = 25 °C

Parameter	Symbol	Conditions	Min	Typ	Max	Unit
forward voltage	V_F	$I_F = 50\text{ mA}$		0.95	1.1	V
reverse leakage current	I_R	$V_R = 175\text{ V}$			10	$\mu\text{ A}$
		$V_R = 20\text{ V}$			1	
diode capacitance	C_d	$V_R = 0; f = 1\text{ MHz}$		0.48		pF
		$V_R = 1\text{ V}; f = 1\text{ MHz}$		0.35		
		$V_R = 20\text{ V}; f = 1\text{ MHz}$		0.23	0.35	
diode forward resistance	r_D	$I_F = 0.5\text{ mA}; f = 100\text{ MHz}; \text{note 1}$		20	40	Ω
		$I_F = 1\text{ mA}; f = 100\text{ MHz}; \text{note 1}$		10	20	
		$I_F = 10\text{ mA}; f = 100\text{ MHz}; \text{note 1}$		2	3.8	
		$I_F = 100\text{ mA}; f = 100\text{ MHz}; \text{note 1}$		0.7	1.35	
charge carrier life time	τ_L	when switched from $I_F = 10\text{ mA}$ to $I_R = 6\text{ mA}$; $R_L = 100\ \Omega$, measured at $I_R = 3\text{ mA}$		1.55		$\mu\text{ s}$
series inductance	L_S			0.6		nH

Note

1. Guaranteed on AQL basis: inspection level S4, AQL 1.0.

■ Marking

Marking	S
---------	---