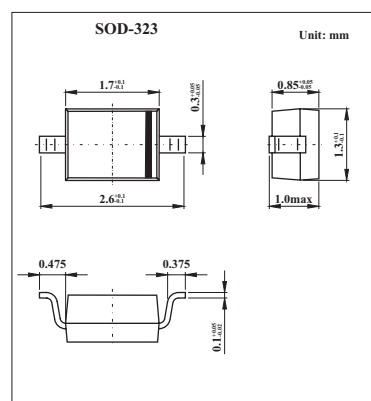


BA595

■ Features

- Current-controlled RF resistor for switching and attenuating applications
- Frequency range 1 MHz ... 2 GHz
- Especially useful as antenna switch in TV-sat tuners
- Very low harmonics



■ Absolute Maximum Ratings Ta = 25°C

Parameter	Symbol	Value	Unit
Diode reverse voltage	V _R	50	V
Forward current	I _F	50	mA
Junction temperature	T _j	150	°C
Operating temperature range	T _{op}	-55 to +125	°C
Storage temperature	T _{stg}	-55 to +150	°C
Junction - soldering point ¹⁾	R _{thJS}	≤ 370	K/W

Note

1. For calculation of R_{thJA} please refer to Application Note Thermal Resistance

■ Electrical Characteristics Ta = 25°C

Parameter	Symbol	Conditions	Min	Typ	Max	Unit
Reverse current	I _R	V _R = 30 V			20	nA
Forward voltage	V _F	I _F = 50 mA			1.1	V
Diode capacitance	C _T	V _R = 0 V, f = 100 MHz		0.26	0.4	pF
		V _R = 10 V, f = 1 MHz		0.22	0.6	
Reverse parallel resistance	R _P	V _R = 1 V, f = 100 MHz		50		K Ω
		V _R = 0 V, f = 1 GHz		10		
Forward resistance	r _f	I _F = 1.5 mA, f = 100 MHz		22	40	Ω
		I _F = 10 mA, f = 100 MHz		4.5	7	
Charge carrier life time	τ _{rr}	I _F = 10 mA, I _R = 6 mA, measured at I _R = 3 mA, R _L = 100 Ω		1600		ns
I-region width	W _I			130		μ m

■ Marking

Marking	R
---------	---