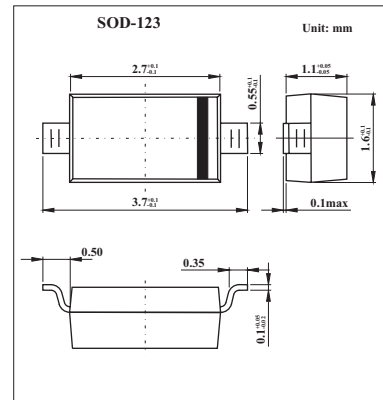


HVD355B

■ Features

- High capacitance ratio. ($n = 2.20$ min)
- Low series resistance. ($r_s = 0.60 \Omega$ max)
- Super small Flat Lead Package (SFP) is suitable for surface mount design.



■ Absolute Maximum Ratings $T_a = 25^\circ\text{C}$

Parameter	Symbol	Value	Unit
Reverse Voltage	V_R	15	V
Junction temperature	T_j	125	$^\circ\text{C}$
Storage temperature	T_{stg}	-55 to +125	$^\circ\text{C}$

■ Electrical Characteristics $T_a = 25^\circ\text{C}$

Parameter	Symbol	Conditions	Min	Typ	Max	Unit
Reverse current	I_{R1}	$V_R = 15 \text{ V}$			10	nA
	I_{R2}	$V_R = 15 \text{ V}, T_a = 60^\circ\text{C}$			100	
Capacitance	C_1	$V_R = 1 \text{ V}, f = 1 \text{ MHz}$	6.4		7.2	pF
	C_4	$V_R = 4 \text{ V}, f = 1 \text{ MHz}$	2.55		2.95	
Capacitance ratio	n	C_1 / C_4	2.2			
Series resistance	r_s	$V_R = 1 \text{ V}, f = 470 \text{ MHz}$			0.6	Ω

■ Marking

Marking	B
---------	---