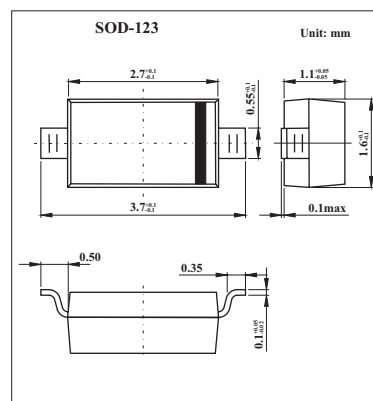


■ Features

- Silicon epitaxial planar capacitance diodes with very wide effective capacitance variation for tuning the VHF range 41 □ 170 MHz in hyper hyperband television tuners.
- These diodes are available as singles or as matched sets of two or more units according to the tracking condition described in the table of characteristics.



■ Absolute Maximum Ratings Ta = 25°C

| Parameter | Symbol | Value | Unit |
|---------------------------|------------------|-------------|------|
| Reverse Voltage | V _R | 32 | V |
| Ambient Temperature | T _{amb} | 125 | °C |
| Storage Temperature Range | T _s | -55 to +125 | °C |

■ Electrical Characteristics Ta = 25°C

| Parameter | Symbol | Conditions | Min | Typ | Max | Unit |
|-----------------------------|---|---------------------------------------|------|-----|-----|------|
| Reverse Breakdown Voltage | V _{BR(R)} | I _R = 100 μ A | 32 | | | V |
| Leakage Current | I _R | V _R = 30 V | | | 10 | nA |
| Capacitance | C _{tot} | f = 1 MHz; V _R = 28 V | 2.9 | | 3.4 | pF |
| | | f = 1 MHz; V _R = 1 V | 62 | | 76 | |
| Effective Capacitance Ratio | C _{d(1V)} /C _{d(28V)} | f = 1 MHz; V _R = 1 to 28 V | 19.5 | | | |
| Series Resistance | r _s | f = 300 MHz, C _{tot} = 25 pF | | 1 | | Ω |
| Series Inductance | L _s | | | 2.5 | | nH |