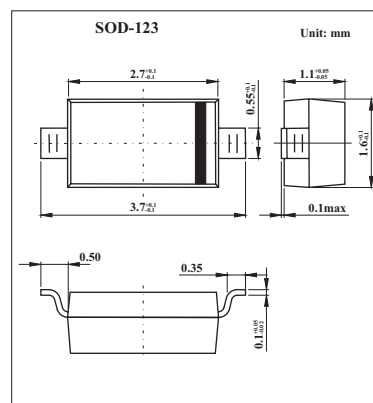


# BB729

## ■ Features

- Silicon epitaxial planar capacitance diodes with very wide effective capacitance variation for tuning the whole range of VHF CTV tuners.
- These diodes are available as singles or as matched sets of two or more units according to the tracking condition described in the table of characteristics.



## ■ Absolute Maximum Ratings Ta = 25°C

Parameter	Symbol	Value	Unit
Reverse Voltage	V <sub>R</sub>	32	V
Ambient Temperature	T <sub>amb</sub>	125	°C
Storage Temperature Range	T <sub>s</sub>	-55 to +125	°C

## ■ Electrical Characteristics Ta = 25°C

Parameter	Symbol	Conditions	Min	Typ	Max	Unit
Reverse Breakdown Voltage	V <sub>BR(R)</sub>	I <sub>R</sub> = 100 μA	32			V
Leakage Current	I <sub>R</sub>	V <sub>R</sub> = 30 V			10	nA
Capacitance	C <sub>tot</sub>	f = 1 MHz; V <sub>R</sub> = 28 V	2.4		2.9	pF
		f = 1 MHz; V <sub>R</sub> = 1 V	36		42	
Effective Capacitance Ratio	C <sub>d(1V)</sub> /C <sub>d(28V)</sub>	f = 1 MHz; V <sub>R</sub> = 1 to 28 V	13.5			
Series Resistance	r <sub>s</sub>	f = 470 MHz, C <sub>tot</sub> = 25 pF		0.8		Ω
Series Inductance	L <sub>s</sub>			2.5		nH