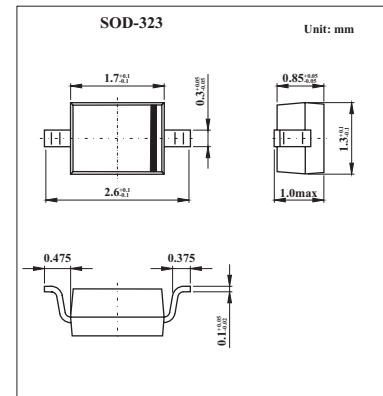


# BB721S

## ■ Features

- Silicon epitaxial planar capacitance diodes with very wide effective capacitance variation for tuning the whole range of UHF television bands.
- Two BB721/BB721S tuner diodes in series are used for direct satellite receivers.
- These diodes are available as singles or as matched sets of two or more units according to the tracking condition described in the table of characteristics.



## ■ Absolute Maximum Ratings Ta = 25°C

Parameter	Symbol	Value	Unit
Reverse Voltage	$V_R$	32	V
Ambient Temperature	$T_{amb}$	125	°C
Storage Temperature Range	$T_s$	-55 to +125	°C

## ■ Electrical Characteristics Ta = 25°C

Parameter	Symbol	Conditions	Min	Typ	Max	Unit
Reverse Breakdown Voltage	$V_{BR(R)}$	$I_R = 100 \mu A$	32			V
Leakage Current	$I_R$	$V_R = 30 V$			10	nA
Capacitance	$C_{tot}$	$f = 1 MHz; V_R = 28 V$	1.9		2.3	pF
		$f = 1 MHz; V_R = 1 V$	17.5		20	
Effective Capacitance Ratio	$C_{d(1V)}/C_{d(28V)}$	$f = 1 MHz; V_R = 1 \text{ to } 28 V$	8.2		9.8	
Series Resistance	$r_s$	$f = 470 MHz, C_{tot} = 14 pF$		0.55		$\Omega$
Series Inductance	$L_s$			2.5		nH