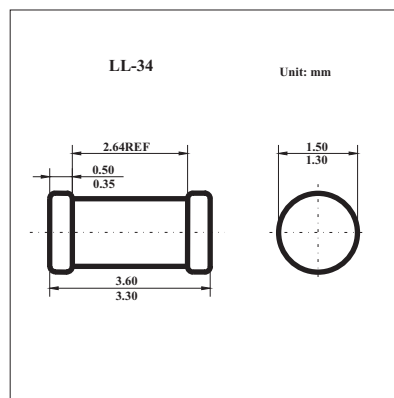


BB215

■ Features

- Excellent linearity
- Matched to 3%
- Small hermetically sealed glass SMD package
- C28: 2 pF; ratio: 8.3
- Low series resistance.



■ Absolute Maximum Ratings Ta = 25°C

Parameter	Symbol	Min	Max	Unit
continuous reverse voltage	V _R		30	V
continuous forward current	I _F		20	mA
storage temperature	T _{stg}	-55	+150	°C
operating ambient temperature	T _{amb}	-55	+100	°C

■ Electrical Characteristics Ta = 25°C

Parameter	Symbol	Conditions	Min	Typ	Max	Unit
reverse current	I _R	V _R = 28 V			10	nA
		V _R = 28 V; T _j = 85°C			200	
diode series resistance	V _{BR(R)}	f = 470 MHz; note 1			0.75	Ω
diode capacitance	C _d	V _R = 1 V; f = 1 MHz		16.5	18	pF
		V _R = 28 V; f = 1 MHz	1.8		2.2	
capacitance ratio	C _{d(1V)} /C _{d(28V)}	f = 1 MHz	7.6	8.3		
capacitance matching	ΔC _d / C _d	V _R = 0.5 to 28 V			3	%

Note

1. V_R is the value at which C_d = 9 pF.