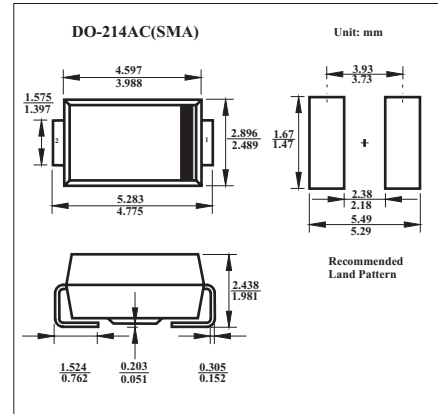


KR107(FR107)

■ Features

- High Reliability and Low leakage
- Fast Switching for High Efficiency



■ Absolute Maximum Ratings Ta = 25°C

Parameter	Symbol	Rating	Unit
Maximum repetitive peak reverse voltage	VRRM	600	V
Maximum RMS voltage	VRMS	420	V
Maximum DC blocking voltage	VDC	600	V
Maximum average forward output rectified current at TA=55°C	I(AV)	1.0	A
Peak forward surge current single half sine-wave superimposed on rated load (JEDEC Method)	IFSM	30	A
Maximum Forward Voltage at 1.0A	VF	1.3	V
Maximum DC reverse current TA=25°C	IR	5	μ A
at Rated DC reverse current TA=100°C		100	
Typical Thermal Resistance	RθJA	50	K/W
Typical Junction Capacitance	CJ	15	pF
Maximum Reverse Recovery Time *	Trr	500	ns
Storage and Operating Temperature	TJ, TSTG	-65 to +175	°C

*Measured with IF=0.5A,IR=1.0A,IRR=0.25A

■ Marking

Marking	ES1J
---------	------