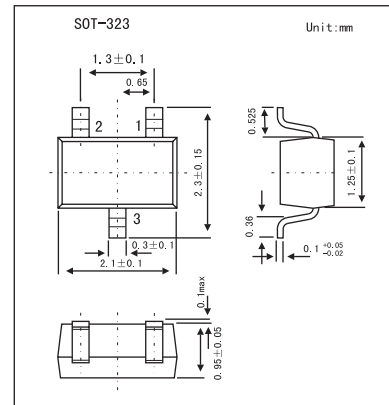


BAT68-04W, BAT68-05W, BAT68-06W

■ Features

- For mixer applications in VHF/UHF range
- For high-speed switching application



■ Absolute Maximum Ratings Ta = 25°C

Parameter	Symbol	Value	Unit
Diode reverse voltage	V_R	8	V
Forward current	I_F	130	mA
Total power dissipation $T_s \leq 92^\circ\text{C}$	P_{tot}	150	mW
Junction temperature	T_j	150	°C
Storage temperature	T_{stg}	-55 to +150	°C
Junction - soldering point(Note 1)	R_{thJS}	≤ 390	K/W

Note

1.For calculation of R_{thJA} please refer to Application Note Thermal Resistance

■ Electrical Characteristics Ta = 25°C

Parameter	Symbol	Conditions	Min	Typ	Max	Unit
Breakdown voltage	$V_{(BR)}$	$I_{(BR)} = 10 \mu\text{A}$	8			V
Reverse current	I_R	$V_R = 1\text{V}$			0.1	μA
		$V_R = 1\text{V}, T_A = 60^\circ\text{C}$			1.2	
Forward voltage	V_F	$I_F = 1\text{mA}$		318	340	mV
		$I_F = 10\text{mA}$	340	390	500	
Diode capacitance	C_T	$V_R = 0, f = 1\text{MHz}$			1	pF
Differential forward resistance	R_F	$I_F = 5\text{mA}, f = 10\text{KHz}$			10	Ω

■ Marking

Type	BAT68-04W	BAT68-05W	BAT68-06W
Marking	84s	85s	86s