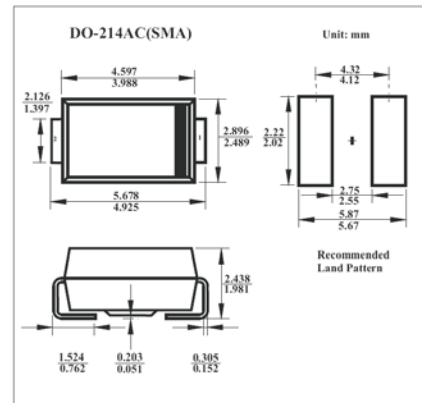


D1F60

■ Features

- High reliability with superior moisture resistance
- Applicable to Automatic Insertion



■ Absolute Maximum Ratings Ta = 25°C

Parameter	Symbol	Rating	Unit
Peak repetitive reverse voltage	V _{RRM}	600	V
Working peak reverse voltage	V _{RWM}		
DC blocking voltage	V _R		
Average rectified output current *1	I _O	1	A
Average rectified output current *2		0.75	A
50Hz sine wave, N-on-repetitive 1 cycle peak value, T _J =25°C	I _{FSM}	25	A
Junction temperature	T _J	150	°C
Storage temperature	T _{STG}	-55 to 150	°C

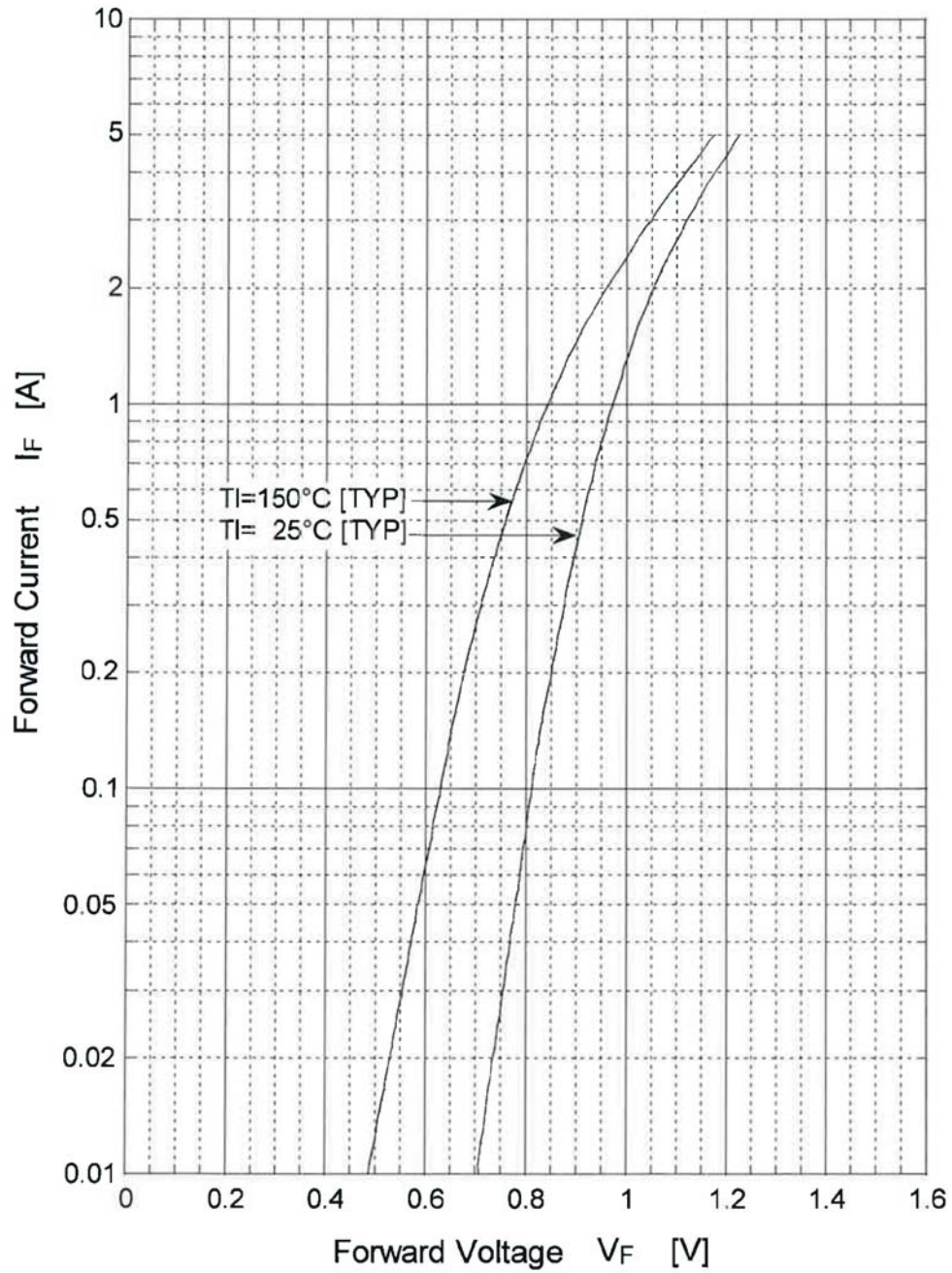
*1 50Hz sine WAVE, R-load, On alumina substrate Ta=25°C

*2 50Hz sine WAVE, R-load, On glass-epoxy substrate Ta=25°C

■ Electrical Characteristics Ta = 25°C

Parameter	Symbol	Test conditions	Min	Typ	Max	Unit
Forward voltage	V _F	I _F = 1A			1.1	V
Peak reverse current	I _R	V _R = V _{RM}			10	μA
Thermal Resistane Junction to Lead	R _{θ JL}				23	°C/W
Thermal Resistane Junction to ambient	R _{θ Ja}	On alumina substrate			108	°C/W
		On glass-epoxy substrate			157	°C/W

D1F60



D1F60

Forward Power Dissipation

