

Silicon NPN Power Transistors

BUL45

DESCRIPTION

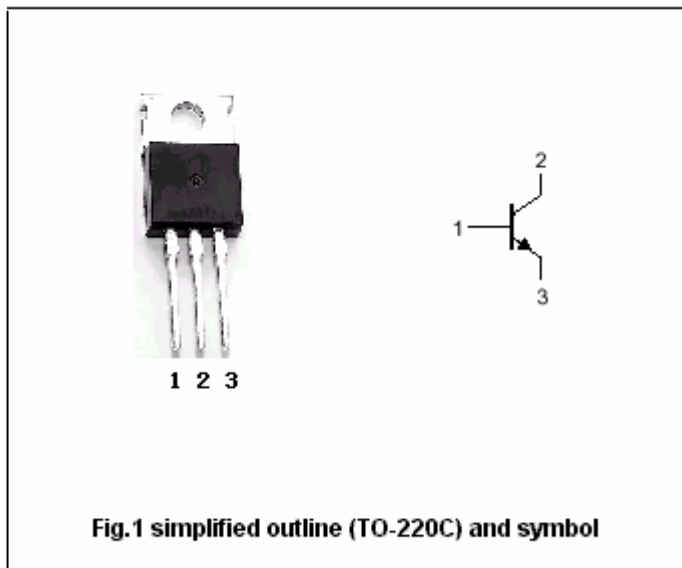
- With TO-220C package
- Fast switching speed
- High voltage

APPLICATIONS

- Designed for use in electronic ballast and In switchmode power supplies

PINNING

PIN	DESCRIPTION
1	Base
2	Collector;connected to mounting base
3	Emitter



Absolute maximum ratings (Ta=25°C)

SYMBOL	PARAMETER	CONDITIONS	VALUE	UNIT
V _{CBO}	Collector-base voltage	Open emitter	700	V
V _{CEO}	Collector-emitter voltage	Open base	400	V
V _{EBO}	Emitter-base voltage	Open collector	9	V
I _C	Collector current		5	A
I _{CM}	Collector current (peak)		10	A
I _B	Base current		2	A
P _{tot}	Total power dissipation	T _C =25°C	75	W
T _j	Max.operating junction temperature		150	°C
T _{stg}	Storage temperature		-65~150	°C

THERMAL CHARACTERISTICS

SYMBOL	PARAMETER	MAX	UNIT
R _{th j-case}	Thermal resistance junction case	1.65	°C/W

Silicon NPN Power Transistors

BUL45

CHARACTERISTICS

T_j=25°C unless otherwise specified

SYMBOL	PARAMETER	CONDITIONS	MIN	TYP.	MAX	UNIT
V _{CEO(SUS)}	Collector-emitter sustaining voltage	I _C =0.1 A ; I _B =0; L=25mH	400			V
V _{CEsat-1}	Collector-emitter saturation voltage	I _C =1A ; I _B =0.2 A		0.175	0.25	V
V _{CEsat-2}	Collector-emitter saturation voltage	I _C =2A ; I _B =0.4 A		0.25	0.4	V
V _{BEsat-1}	Base-emitter saturation voltage	I _C =1A ; I _B =0.2 A		0.84	1.2	V
V _{BEsat-2}	Base-emitter saturation voltage	I _C =2A ; I _B =0.4 A		0.89	1.25	V
I _{CEO}	Collector cut-off current	V _{CE} =RatedV _{CEO} ; I _B =0;			100	μA
I _{CES}	Collector cut-off current	V _{CE} =RatedV _{CES} ; V _{EB} =0; T _C =125°C			10 100	μA
I _{EBO}	Emitter cut-off current	V _{EB} =9V; I _C =0			0.1	mA
h _{FE-1}	DC current gain	I _C =0.3A; V _{CE} =5V	14		34	
h _{FE-2}	DC current gain	I _C =2A; V _{CE} =1V	7	14		
h _{FE-3}	DC current gain	I _C =10mA; V _{CE} =5V	10	22		
C _{OB}	Output capacitance	I _E =0; V _{CB} =10V; f=1MHz		50	75	pF
f _T	Transition frequency	I _C =0.5 A ; V _{CE} =10V		12		MHz

Silicon NPN Power Transistors

BUL45

PACKAGE OUTLINE

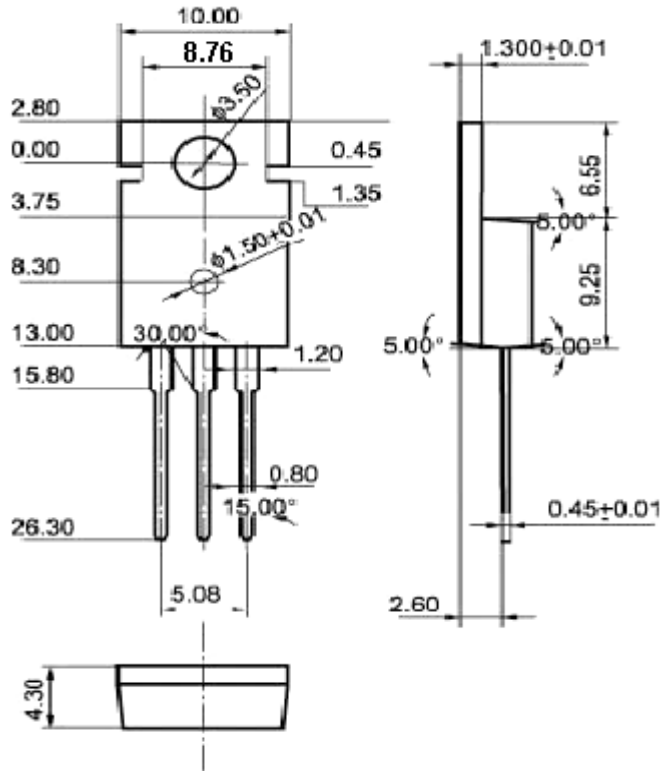


Fig.2 Outline dimensions (unindicated tolerance: 0.1mm)