

Silicon NPN Power Transistors

BU2727AW

DESCRIPTION

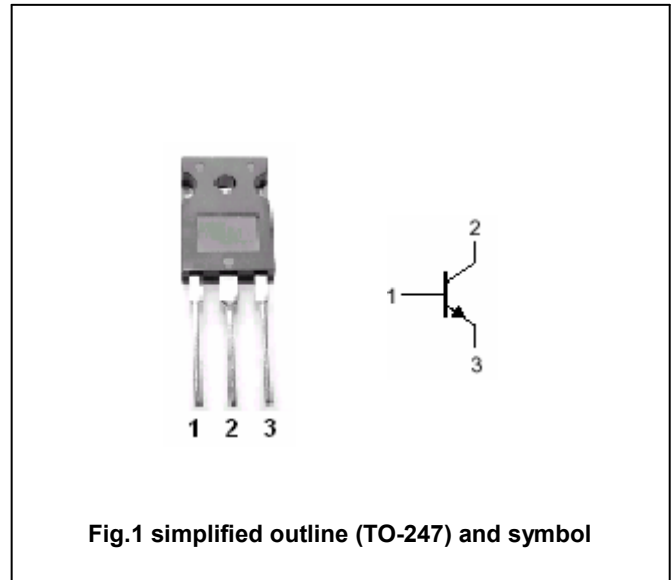
- With TO-247 package
- High voltage
- High speed switching

APPLICATIONS

- For use in horizontal deflection circuits of high resolution monitors

PINNING

PIN	DESCRIPTION
1	Base
2	Collector
3	Emitter

**Absolute maximum ratings(T_a=25℃)**

SYMBOL	PARAMETER	CONDITIONS	VALUE	UNIT
V _{CBO}	Collector-base voltage	Open emitter	1700	V
V _{CEO}	Collector-emitter voltage	Open base	825	V
V _{EBO}	Emitter-base voltage	Open collector	7.5	V
I _C	Collector current (DC)		12	A
I _{CM}	Collector current -peak		30	A
I _B	Base current (DC)		12	A
I _{BM}	Base current -peak		25	A
P _{tot}	Total power dissipation	T _C =25℃	125	W
T _j	Junction temperature		150	℃
T _{stg}	Storage temperature		-65~150	℃

Silicon NPN Power Transistors

BU2727AW

CHARACTERISTICS

T_j=25 °C unless otherwise specified

SYMBOL	PARAMETER	CONDITIONS	MIN	TYP.	MAX	UNIT
V _{CEO(SUS)}	Collector-emitter sustaining voltage	I _C =100mA ; I _B =0, L=25mH	825			V
V _{(BR)EBO}	Emitter-base breakdown voltage	I _E =1mA ; I _C =0	7.5	13.5		V
V _{CEsat}	Collector-emitter saturation voltage	I _C =5A ; I _B =0.91A			1.0	V
V _{BEsat}	Base-emitter saturation voltage	I _C =5A ; I _B =0.91A			0.95	V
I _{CES}	Collector cut-off current	V _{CE} =BV _{CES} ; V _{BE} =0 T _j =125 °C			1.0 2.0	mA
I _{EBO}	Emitter cut-off current	V _{EB} =7.5V; I _C =0			1.0	mA
h _{FE-1}	DC current gain	I _C =0.1A ; V _{CE} =5V		22		
h _{FE-2}	DC current gain	I _C =5A ; V _{CE} =1V	5.5	8	11	

Silicon NPN Power Transistors

BU2727AW

PACKAGE OUTLINE

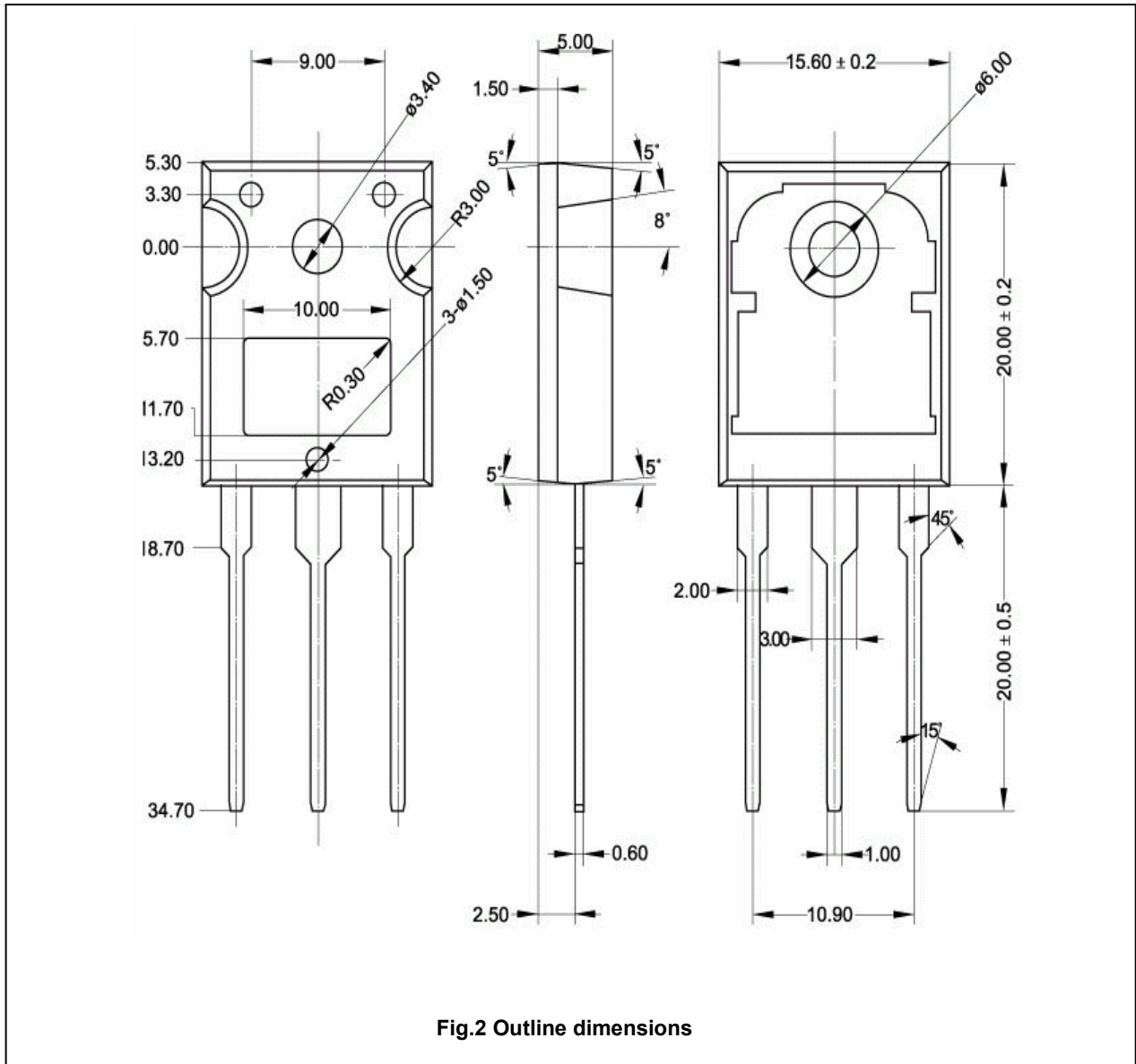


Fig.2 Outline dimensions