

Silicon NPN Power Transistors

2SC4595

DESCRIPTION

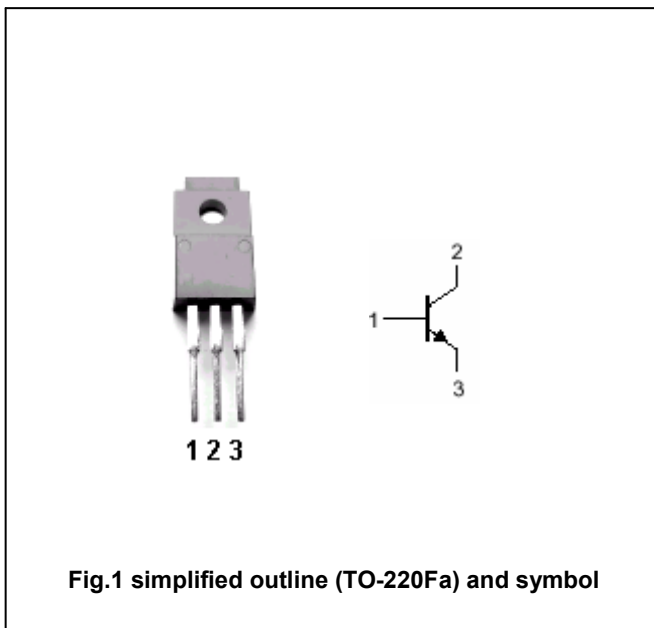
- With TO-220Fa package
- Low collector saturation voltage
- Wide area of safe operation

APPLICATIONS

- For power switching applications

PINNING

PIN	DESCRIPTION
1	Base
2	Collector
3	Emitter



Absolute maximum ratings(Ta=25°C)

SYMBOL	PARAMETER	CONDITIONS	VALUE	UNIT
V _{CBO}	Collector-base voltage	Open emitter	100	V
V _{CEO}	Collector-emitter voltage	Open base	60	V
V _{EBO}	Emitter-base voltage	Open collector	5	V
I _C	Collector current		12	A
P _C	Collector power dissipation	T _C =25°C	30	W
T _j	Junction temperature		150	°C
T _{stg}	Storage temperature		-55~150	°C

Silicon NPN Power Transistors

2SC4595

CHARACTERISTICS

T_j=25 °C unless otherwise specified

SYMBOL	PARAMETER	CONDITIONS	MIN	TYP.	MAX	UNIT
V _{(BR)CEO}	Collector-emitter breakdown voltage	I _C =10mA, I _B =0	60			V
V _{(BR)EBO}	Emitter-base breakdown voltage	I _E =50μA, I _C =0	5			V
V _{CEsat}	Collector-emitter saturation voltage	I _C =6A, I _B =0.3A			0.3	V
V _{BEsat}	Base-emitter saturation voltage	I _C =6A, I _B =0.3A			1.2	V
I _{CBO}	Collector cut-off current	V _{CB} =100V, I _E =0			10	μA
I _{EBO}	Emitter cut-off current	V _{EB} =5V, I _C =0			10	μA
h _{FE}	DC current gain	I _C =2A; V _{CE} =2V	60		320	
f _T	Transition frequency	I _C =0.5A; V _{CE} =10V		120		MHz

◆ h_{FE} Classifications

D	E	F
60-120	100-200	160-320

Silicon NPN Power Transistors

2SC4595

PACKAGE OUTLINE

