

Silicon NPN Power Transistors

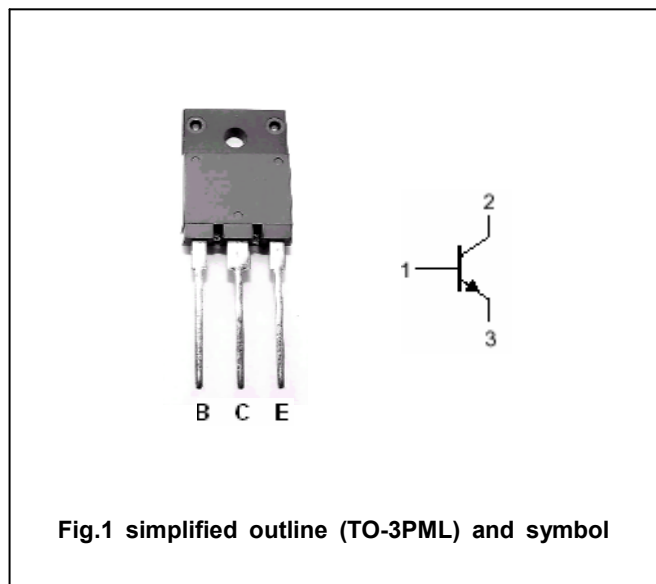
2SC4584

DESCRIPTION

- With TO-3PML package
- High voltage,high speed
- Switching power transistor

PINNING

PIN	DESCRIPTION
1	Base
2	Collector
3	Emitter



Absolute maximum ratings(Ta=25□)

SYMBOL	PARAMETER	CONDITIONS	VALUE	UNIT
V _{CBO}	Collector-base voltage	Open emitter	1200	V
V _{CEO}	Collector-emitter voltage	Open base	800	V
V _{EBO}	Emitter-base voltage	Open collector	7	V
I _C	Collector current		6	A
I _{CM}	Collector current-peak		12	A
I _B	Base current		3	A
I _{BM}	Base current-peak		6	A
P _C	Collector power dissipation	T _C =25□	65	W
T _j	Junction temperature		150	□
T _{stg}	Storage temperature		-55~150	□

THERMAL CHARACTERISTICS

SYMBOL	PARAMETER	MAX	UNIT
R _{th j-c}	Thermal resistance junction to case	1.92	□/W

Silicon NPN Power Transistors

2SC4584

CHARACTERISTICS

T_j=25°C unless otherwise specified

SYMBOL	PARAMETER	CONDITIONS	MIN	TYP.	MAX	UNIT
V _{CEsat}	Collector-emitter saturation voltage	I _C =3A; I _B =0.6 A			1.0	V
V _{BEsat}	Base-emitter saturation voltage	I _C =3A; I _B =0.6 A			1.5	V
V _{CEO(SUS)}	Collector-emitter sustaining voltage	I _C =0.2A; I _B =0	800			V
I _{EBO}	Emitter cut-off current	At rated voltage			0.1	mA
I _{CBO}	Collector cut-off current	At rated voltage			0.1	mA
I _{CEO}	Collector cut-off current					
h _{FE-1}	DC current gain	I _C =3 A ; V _{CE} =5V	8			
h _{FE-2}	DC current gain	I _C =1mA ; V _{CE} =5V	7			
f _T	Transition frequency	I _C =0.6A ; V _{CE} =10V		8		MHz

Switching times

t _{on}	Turn-on time	I _C =3A; R _L =85Ω I _{B1} =0.6A; I _{B2} =1.2A V _{BB2} =4V			0.5	μs
t _{stg}	Storage time				3.5	μs
t _f	Fall time				0.3	μs

Silicon NPN Power Transistors

2SC4584

PACKAGE OUTLINE

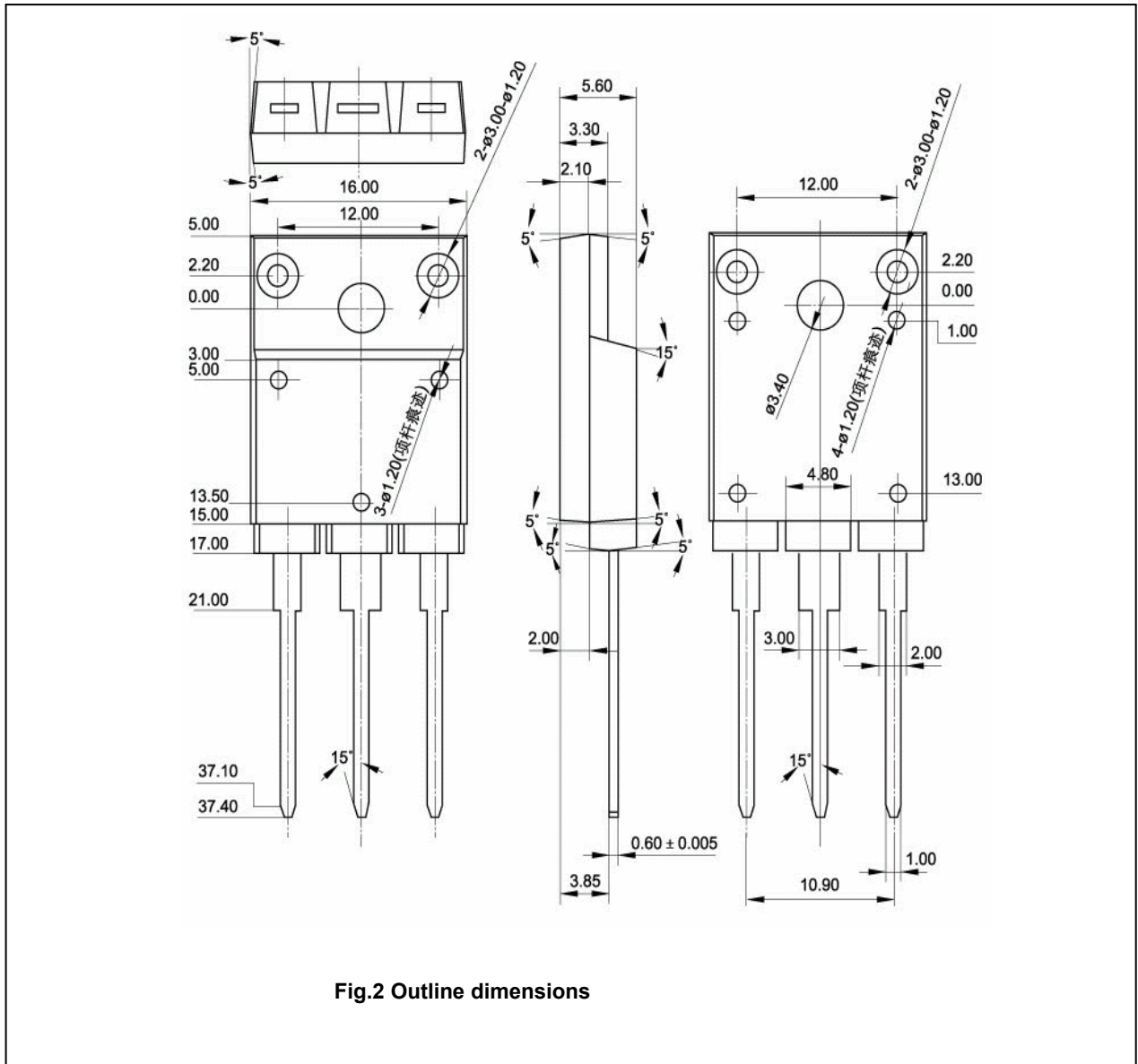


Fig.2 Outline dimensions