

Silicon NPN Power Transistors

2SC1447

DESCRIPTION

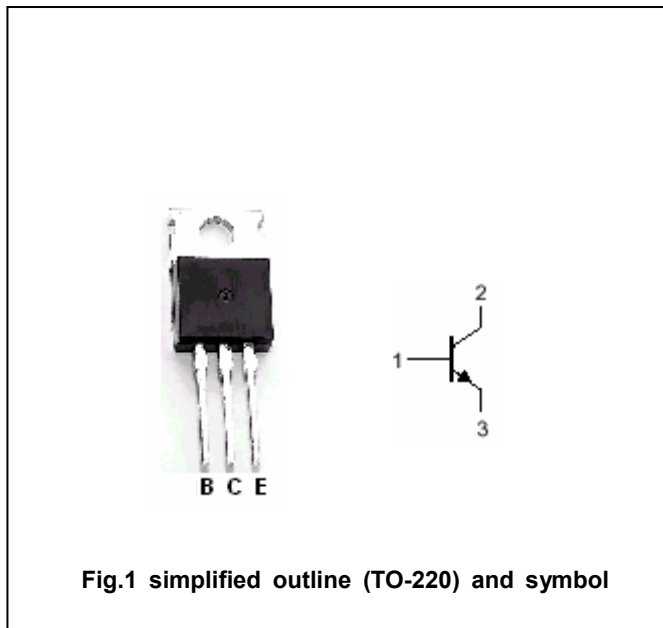
- With TO-220 package
- High breakdown voltage
- High transition frequency

APPLICATIONS

- For color TV chroma output applications

PINNING

PIN	DESCRIPTION
1	Base
2	Collector;connected to mounting base
3	Emitter



Absolute maximum ratings (Ta=25°C)

SYMBOL	PARAMETER	CONDITIONS	VALUE	UNIT
V _{CBO}	Collector-base voltage	Open emitter	300	V
V _{CEO}	Collector-emitter voltage	Open base	300	V
V _{EBO}	Emitter-base voltage	Open collector	7	V
I _C	Collector current		0.15	A
P _C	Collector power dissipation	T _C =25°C	20	W
T _j	Junction temperature		150	°C
T _{stg}	Storage temperature		-55~150	°C

Silicon NPN Power Transistors

2SC1447

CHARACTERISTICS

T_j=25°C unless otherwise specified

SYMBOL	PARAMETER	CONDITIONS	MIN	TYP.	MAX	UNIT
V _{(BR)CBO}	Collector-base breakdown voltage	I _C =10μA ; I _E =0	300			V
V _{(BR)CEO}	Collector-emitter breakdown voltage	I _C =10mA ; I _B =0	300			V
V _{(BR)EBO}	Emitter-base breakdown voltage	I _E =10μA ; I _C =0	7			V
V _{CEsat}	Collector-emitter saturation voltage	I _C =50mA ; I _B =5mA			2.0	V
I _{CBO}	Collector cut-off current	V _{CB} =250V ; I _E =0			1.0	μA
I _{EBO}	Emitter cut-off current	V _{EB} =5V ; I _C =0			1.0	μA
h _{FE}	DC current gain	I _C =50mA ; V _{CE} =10V	40		170	
f _T	Transition frequency	I _C =10mA ; V _{CE} =30V		80		MHz

Silicon NPN Power Transistors

2SC1447

PACKAGE OUTLINE

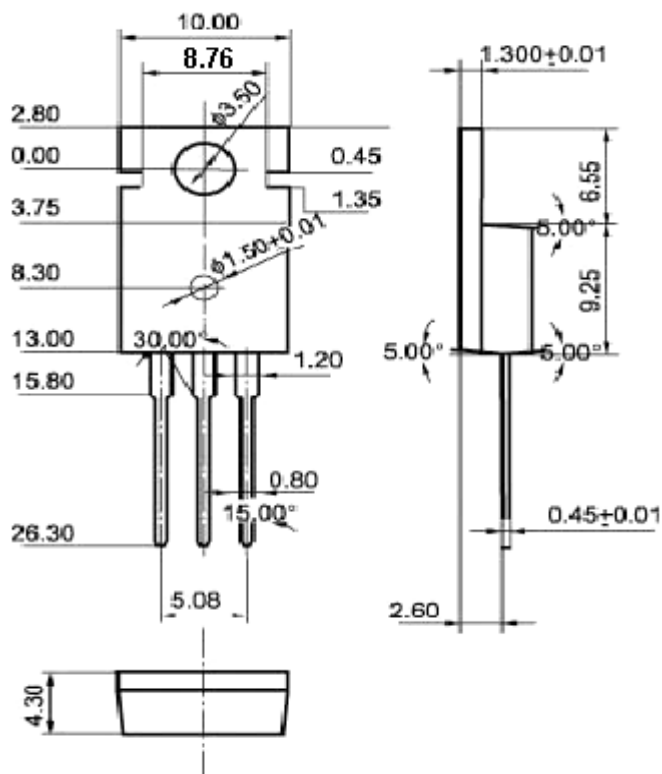


Fig.2 outline dimensions (unindicated tolerance: ± 0.10 mm)