

Silicon NPN Power Transistors

2SC1235

DESCRIPTION

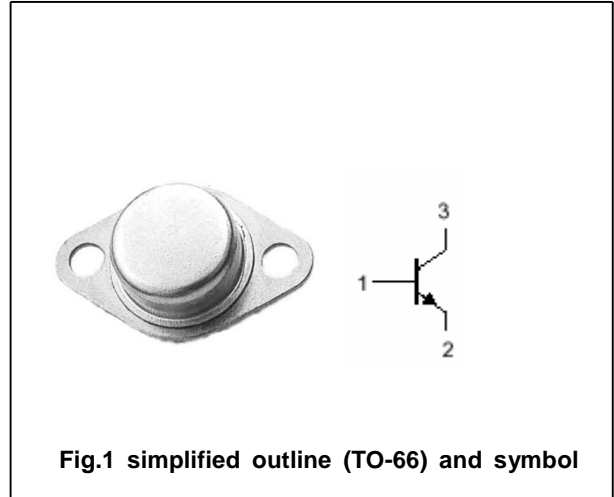
- With TO-66 package
- High collector-emitter voltage
: $V_{CEO}=300V$

APPLICATIONS

- For use in line-operated color TV chroma output circuits and sound output circuits.

PINNING

| PIN | DESCRIPTION |
|-----|-------------|
| 1 | Base |
| 2 | Emitter |
| 3 | Collector |

**Absolute maximum ratings (Ta=25?)**

| SYMBOL | PARAMETER | CONDITIONS | VALUE | UNIT |
|-----------|-----------------------------|----------------|---------|------|
| V_{CBO} | Collector-base voltage | Open emitter | 300 | V |
| V_{CEO} | Collector-emitter voltage | Open base | 300 | V |
| V_{EBO} | Emitter-base voltage | Open collector | 7 | V |
| I_C | Collector current | | 0.1 | A |
| P_T | Collector power dissipation | $T_C=70?$ | 6.5 | W |
| T_j | Junction temperature | | 150 | ? |
| T_{stg} | Storage temperature | | -55~150 | ? |

Silicon NPN Power Transistors

2SC1235

CHARACTERISTICS

T_j=25° unless otherwise specified

| SYMBOL | PARAMETER | CONDITIONS | MIN | TYP. | MAX | UNIT |
|----------------------|--------------------------------------|---|-----|------|-----|------|
| V _{(BR)CBO} | Collector-base breakdown voltage | I _C =50μA ; I _E =0 | 300 | | | V |
| V _{(BR)CEO} | Collector-emitter breakdown voltage | I _C =1mA ; I _B =0 | 300 | | | V |
| V _{(BR)EBO} | Emitter-base breakdown voltage | I _E =50μA ; I _C =0 | 7 | | | V |
| V _{CEsat} | Collector-emitter saturation voltage | I _C =50mA ; I _B =5mA | | | 2.0 | V |
| I _{CBO} | Collector cut-off current | V _{CB} =300V ; I _E =0 | | | 5 | μA |
| I _{EBO} | Emitter cut-off current | V _{EB} =7V ; I _C =0 | | | 5 | μA |
| h _{FE} | DC current gain | I _C =50mA ; V _{CE} =10V | 30 | | 160 | |
| f _T | Transition frequency | I _C =10mA ; V _{CE} =20V | | 60 | | MHz |

PACKAGE OUTLINE

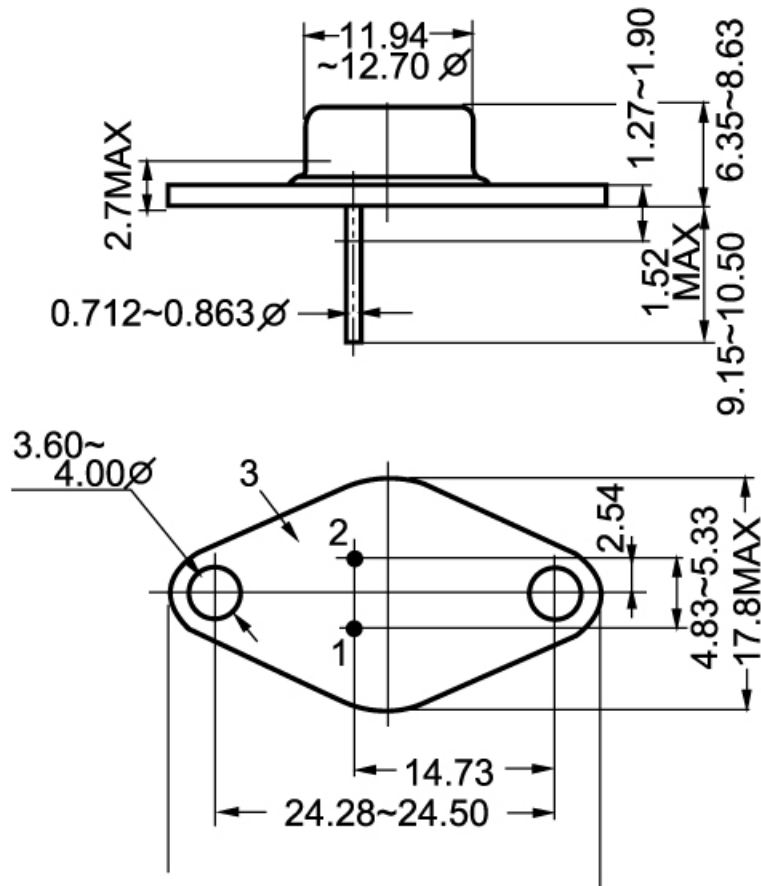


Fig.2 outline dimensions (unindicated tolerance:±0.10 mm)