

Silicon PNP Power Transistors

2SB1286

DESCRIPTION

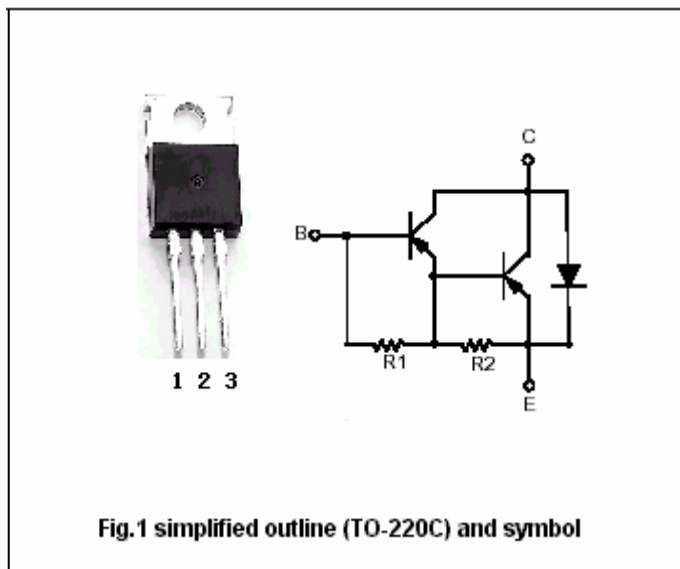
- With TO-220C package
- Complement to type 2SD1646
- DARLINGTON
- High DC current gain

APPLICATIONS

- For low frequency power amplifier and power driver applications

PINNING

| PIN | DESCRIPTION |
|-----|---------------------------------------|
| 1 | Base |
| 2 | Collector; connected to mounting base |
| 3 | Emitter |



Absolute maximum ratings(Ta=25°C)

| SYMBOL | PARAMETER | CONDITIONS | VALUE | UNIT |
|------------------|-----------------------------|----------------------|---------|------|
| V _{CBO} | Collector-base voltage | Open emitter | -100 | V |
| V _{CEO} | Collector-emitter voltage | Open base | -100 | V |
| V _{EBO} | Emitter-base voltage | Open collector | -7 | V |
| I _C | Collector current | | -2 | A |
| P _C | Collector power dissipation | T _C =25°C | 25 | W |
| T _j | Junction temperature | | 150 | °C |
| T _{stg} | Storage temperature | | -55~150 | °C |

Silicon PNP Power Transistors

2SB1286

CHARACTERISTICS

T_j=25 °C unless otherwise specified

| SYMBOL | PARAMETER | CONDITIONS | MIN | TYP. | MAX | UNIT |
|----------------------|--------------------------------------|--|------|------|-------|------|
| V _{(BR)CEO} | Collector-emitter breakdown voltage | I _C =-10mA, I _B =0 | -100 | | | V |
| V _{(BR)CBO} | Collector-base breakdown voltage | I _C =-1mA, I _E =0 | -100 | | | V |
| V _{(BR)EBO} | Emitter-base breakdown voltage | I _E =-5mA, I _C =0 | -7 | | | V |
| V _{CEsat} | Collector-emitter saturation voltage | I _C =-1A, I _B =-1mA | | | -1.5 | V |
| V _{BEsat} | Base-emitter saturation voltage | I _C =-1A, I _B =-1mA | | | -2.0 | V |
| I _{CBO} | Collector cut-off current | V _{CB} =-100V, I _E =0 | | | -10 | μA |
| I _{CEO} | Collector cut-off current | V _{CE} =-100V, I _B =0 | | | -100 | μA |
| I _{EBO} | Emitter cut-off current | V _{EB} =-7V, I _C =0 | | | -5 | mA |
| h _{FE} | DC current gain | I _C =-1A ; V _{CE} =-2V | 1000 | | 10000 | |

Silicon PNP Power Transistors

2SB1286

PACKAGE OUTLINE

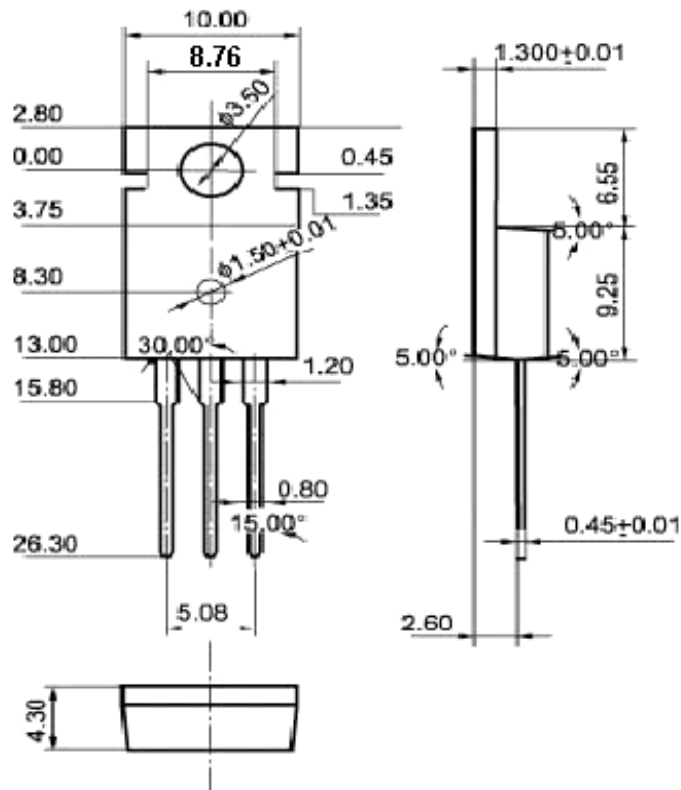


Fig.2 Outline dimensions