

Surface Mount Zener Diodes

(Pb) Lead(Pb)-Free

Features:

- * Glass passivated chip
- * Low leakage
- * Built-in strain relief
- * Low inductance
- * High peak reverse power dissipation
- * For use in stabilizing and clipping circuits with high power rating

Mechanical Data

- * Case: Molded plastic SMC/DO-214AB
- * Epoxy: UL 94V-0 rate flame retardant
- * Terminals: Solderable per MIL-STD-750 method 2026
- * Polarity: cathode band
- * Mounting position: Any
- * Weight: 0.21 gram

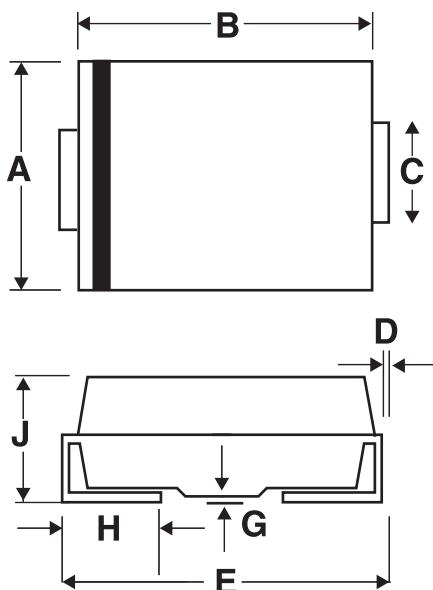
**SURFACE MOUNT
ZENER DIODES
5.0 WATTS**



SMC(DO-214AB)

SMC Outline Dimension

Unit:mm



SMC		
Dim	Min	Max
A	5.59	6.22
B	6.60	7.11
C	2.75	3.18
D	0.15	0.31
E	7.75	8.13
G	0.10	0.20
H	0.76	1.52
J	2.00	2.62

MAXIMUM RATINGS (T_A=25°C unless otherwise noted)

Parameter	Symbol	Value	UNIT
DC Power Dissipation at TL = 50°C	P _D	5.0	W
Junction Temperature Range	T _J	-55 to +175	°C
Storage Temperature Range	T _{STG}	-55 to +175	°C

Part Number	Nominal Zener Voltage		Max. Zener Impedance				Max. Reverse Leakage Current		Max. DC Zener Current	Marking Code
	V _Z @ I _{ZT}		Z _{ZT} @ I _{ZT}		Z _{ZK} @ I _{ZK}		I _R @ V _R		I _{ZM}	
	Nom. V	mA	Ω	mA	Ω	mA	uA	V	mA	
SMC5342B	6.8	175.0	1.0	175.0	200.0	1.00	150.0	5.2	700.0	42B
SMC5343B	7.5	175.0	1.5	175.0	200.0	1.00	150.0	5.7	630.0	43B
SMC5344B	8.2	150.0	1.5	150.0	200.0	1.00	150.0	6.2	580.0	44B
SMC5345B	8.7	150.0	2.0	150.0	200.0	1.00	150.0	6.6	545.0	45B
SMC5346B	9.1	150.0	2.0	150.0	150.0	1.00	150.0	6.9	520.0	46B
SMC5347B	10.0	125.0	2.0	125.0	125.0	1.00	150.0	7.6	475.0	47B
SMC5348B	11.0	125.0	2.5	125.0	125.0	1.00	50.0	8.4	430.0	48B
SMC5349B	12.0	100.0	3.0	100.0	125.0	1.00	2.0	9.1	395.0	49B
SMC5350B	13.0	100.0	3.0	100.0	100.0	1.00	1.0	9.9	365.0	50B
SMC5351B	14.0	100.0	3.0	100.0	75.0	1.00	1.0	10.6	340.0	51B
SMC5352B	15.0	75.0	3.0	75.0	75.0	1.00	1.0	11.5	315.0	52B
SMC5353B	16.0	75.0	3.0	75.0	75.0	1.00	1.0	12.2	295.0	53B
SMC5354B	17.0	70.0	3.0	70.0	75.0	1.00	0.5	12.9	280.0	54B
SMC5355B	18.0	65.0	3.0	65.0	75.0	1.00	0.5	13.7	265.0	55B
SMC5356B	19.0	65.0	3.0	65.0	75.0	1.00	0.5	14.4	250.0	56B
SMC5357B	20.0	65.0	3.0	65.0	75.0	1.00	0.5	15.2	237.0	57B
SMC5358B	22.0	50.0	4.0	50.0	75.0	1.00	0.5	16.7	216.0	58B
SMC5359B	24.0	50.0	4.0	50.0	100.0	1.00	0.5	18.2	198.0	59B
SMC5360B	25.0	50.0	4.0	50.0	110.0	1.00	0.5	19.0	190.0	60B
SMC5361B	27.0	50.0	5.0	50.0	120.0	1.00	0.5	20.6	176.0	61B
SMC5362B	28.0	50.0	6.0	50.0	130.0	1.00	0.5	21.2	170.0	62B
SMC5363B	30.0	40.0	8.0	40.0	140.0	1.00	0.5	22.8	158.0	63B
SMC5364B	33.0	40.0	10.0	40.0	150.0	1.00	0.5	25.1	144.0	64B
SMC5365B	36.0	30.0	11.0	30.0	160.0	1.00	0.5	27.4	132.0	65B
SMC5366B	39.0	30.0	14.0	30.0	170.0	1.00	0.5	29.7	122.0	66B
SMC5367B	43.0	30.0	20.0	30.0	190.0	1.00	0.5	32.7	110.0	67B
SMC5368B	47.0	25.0	25.0	25.0	210.0	1.00	0.5	35.8	100.0	68B
SMC5369B	51.0	25.0	27.0	25.0	230.0	1.00	0.5	38.8	93.0	69B
SMC5370B	56.0	20.0	35.0	20.0	280.0	1.00	0.5	42.6	86.0	70B
SMC5371B	60.0	20.0	40.0	20.0	350.0	1.00	0.5	42.5	79.0	71B
SMC5372B	62.0	20.0	42.0	20.0	400.0	1.00	0.5	47.1	76.0	72B
SMC5373B	68.0	20.0	44.0	20.0	500.0	1.00	0.5	51.7	70.0	73B
SMC5374B	75.0	20.0	45.0	20.0	620.0	1.00	0.5	56.0	63.0	74B
SMC5375B	82.0	15.0	65.0	15.0	720.0	1.00	0.5	62.2	58.0	75B
SMC5376B	87.0	15.0	75.0	15.0	760.0	1.00	0.5	66.0	54.5	76B
SMC5377B	91.0	15.0	75.0	15.0	760.0	1.00	0.5	69.2	52.5	77B
SMC5378B	100.0	12.0	90.0	12.0	800.0	1.00	0.5	76.0	47.5	78B