

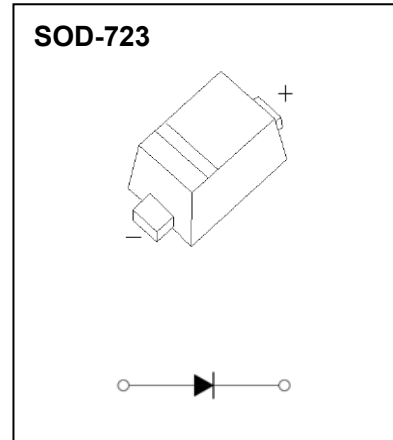


## SOD-723 Plastic-Encapsulate Diodes

**RB501G-40**

SCHOTTKY BARRIER DIODE

SOD-723



### FEATURES

- Small Surface Mounting Type
- Low Reverse Current and Low Forward Voltage
- High Reliability

### APPLICATIONS:

- Low Current Rectification

### MARKING:4

### MAXIMUM RATINGS ( $T_a=25^{\circ}\text{C}$ unless otherwise noted )

Symbol	Parameter	Value	Unit
$V_R$	DC Blocking Voltage	40	V
$I_o$	Forward Continuous Current	100	mA
$I_{FSM}$	Non-Repetitive Peak Forward Surge Current	1	A
$P_D$	Power Dissipation	100	mW
$R_{\theta JA}$	Thermal Resistance from Junction to Ambient	1000	$^{\circ}\text{C}/\text{W}$
$T_j$	Junction Temperature	125	$^{\circ}\text{C}$
$T_{stg}$	Storage Temperature	-55~+150	$^{\circ}\text{C}$

### ELECTRICAL CHARACTERISTICS( $T_a=25^{\circ}\text{C}$ unless otherwise specified)

Parameter	Symbol	Test conditions	Min	Typ	Max	Unit
Reverse voltage	$V_{(BR)}$	$I_R=100\mu\text{A}$	40			V
Reverse current	$I_R$	$V_R=10\text{V}$			30	$\mu\text{A}$
Forward voltage	$V_{F(1)}$	$I_F=10\text{mA}$			0.34	V
	$V_{F(2)}$	$I_F=100\text{mA}$			0.55	V
Total capacitance	$C_{tot}$	$V_R=10\text{V}, f=1\text{MHz}$		6		pF