



MLDFN0.6x0.3-2L-A Plastic-Encapsulate Diodes

DS520-30EAA02 SCHOTTKY BARRIER DIODE

FEATURE

- Small surface mounting type
- Low reverse current and low forward voltage
- High reliability

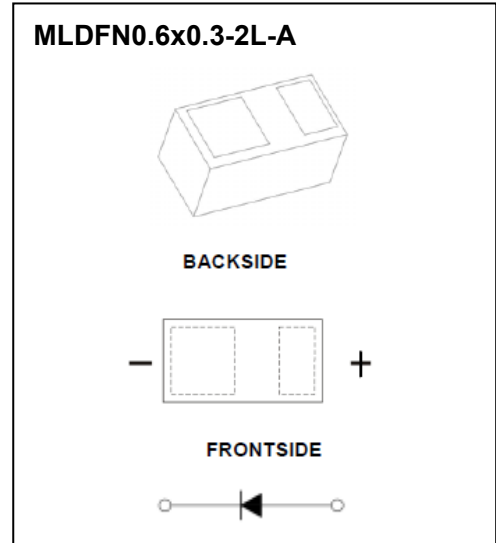
APPLICATION

- High speed switching for detection
- For portable equipment:(i.e. Mobile phone,MP3, MD,CD-ROM, DVD-ROM, Note book PC, etc.)

MARKING: A



TOPVIEW



MAXIMUM RATINGS ($T_a=25^{\circ}\text{C}$ unless otherwise noted)

Symbol	Parameter	Limit	Unit
V_{RRM}	Repetitive Peak Reverse Voltage	30	V
V_{RWM}	Working Peak Reverse Voltage		
$V_{R(RMS)}$	RMS Reverse Voltage	21	V
I_O	Average Rectified Output Current	100	mA
I_{FSM}	Non-Repetitive Peak Forward Surge Current@ t=8.3ms	0.5	A
P_d	Power Dissipation	100	mW
$R_{\theta JA}$	Thermal Resistance from Junction to Ambient	1000	$^{\circ}\text{C}/\text{W}$
T_J	Junction temperature	125	$^{\circ}\text{C}$
T_{stg}	Storage Temperature	-55 ~ +150	$^{\circ}\text{C}$

ELECTRICAL CHARACTERISTICS ($T_a = 25^{\circ}\text{C}$ unless otherwise specified)

Parameter	Symbol	Test Condition	Min	Typ	Max	Unit
Reverse breakdown voltage	$V_{(BR)}$	$I_R=50\mu\text{A}$	30			V
Reverse current	I_R	$V_R=10\text{V}$			0.3	μA
		$V_R=30\text{V}$			20	μA
Forward voltage	V_F	$I_F=10\text{mA}$			0.45	V
		$I_F=100\text{mA}$			0.85	V