

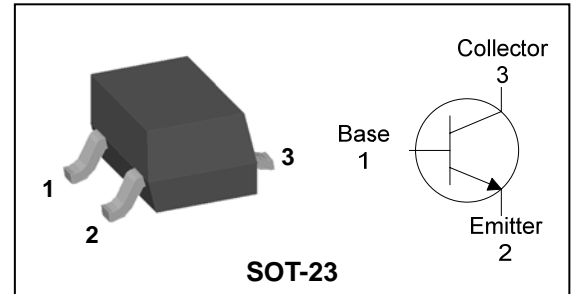
## Descriptions

- General small signal application
- Switching application

## Features

- Low collector saturation voltage
- Collector output capacitance
- Complementary pair with SBT3906

## PIN Connection



## Ordering Information

Type NO.	Marking	Package Code
SBT3904	1A □ ① ②	SOT-23

① Device Code ② Year & Week Code

## Absolute maximum ratings

T<sub>a</sub>=25°C

Characteristic	Symbol	Ratings	Unit
Collector-Base voltage	V <sub>CBO</sub>	60	V
Collector-Emitter voltage	V <sub>CEO</sub>	40	V
Emitter-base voltage	V <sub>EBO</sub>	6	V
Collector current	I <sub>C</sub>	200	mA
Collector dissipation	P <sub>C</sub> *	350	mW
Junction temperature	T <sub>J</sub>	150	°C
Storage temperature range	T <sub>stg</sub>	-55 ~ 150	°C

\* : Package mounted on 99.5% alumina 10×8×0.6mm

## Electrical Characteristics

T<sub>a</sub>=25°C

Characteristic	Symbol	Test Condition	Min.	Typ.	Max.	Unit
Collector-Base breakdown voltage	BV <sub>CBO</sub>	I <sub>C</sub> =10μA, I <sub>E</sub> =0	60	-	-	V
Collector-Emitter breakdown voltage	BV <sub>CEO</sub>	I <sub>C</sub> =1mA, I <sub>B</sub> =0	40	-	-	V
Emitter-Base breakdown voltage	BV <sub>EBO</sub>	I <sub>E</sub> =10μA, I <sub>C</sub> =0	6	-	-	V
Collector cut-off current	I <sub>CEX</sub>	V <sub>CE</sub> =30V, V <sub>EB</sub> =3V	-	-	50	nA
DC current gain	h <sub>FE</sub>	V <sub>CE</sub> =1V, I <sub>C</sub> =10mA	100	-	300	-
Collector-Emitter saturation voltage	V <sub>CE(sat)</sub>	I <sub>C</sub> =50mA, I <sub>B</sub> =5mA	-	-	0.3	V
Transition frequency	f <sub>T</sub>	V <sub>CE</sub> =20V, I <sub>C</sub> =10mA, f=100MHz	300	-	-	MHz
Collector output capacitance	C <sub>ob</sub>	V <sub>CB</sub> =5V, I <sub>E</sub> =0, f=1MHz	-	-	4	pF
Delay time	t <sub>d</sub>	V <sub>CC</sub> =3V <sub>dc</sub> , V <sub>BE(off)</sub> =0.5V <sub>dc</sub> , I <sub>C</sub> =10mA <sub>dc</sub> , I <sub>B1</sub> =1mA <sub>dc</sub>	-	-	35	ns
Rise time	t <sub>r</sub>		-	-	35	ns
Storage time	t <sub>s</sub>		-	-	200	ns
Fall Time	t <sub>f</sub>	I <sub>B1</sub> =I <sub>B2</sub> =1mA <sub>dc</sub>	-	-	50	ns

Electrical Characteristic Curves

Fig. 1  $P_C$ - $T_a$

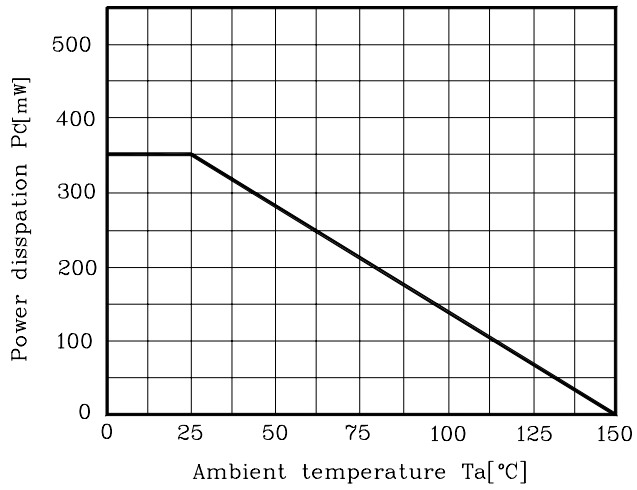


Fig. 2  $h_{FE}$ - $I_C$

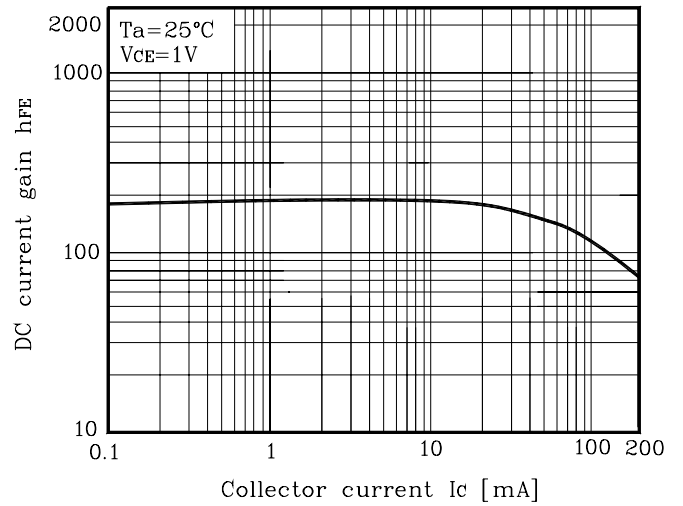
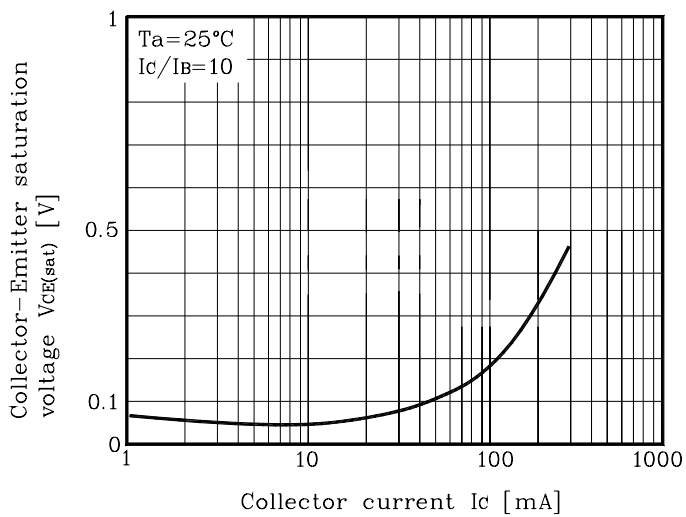
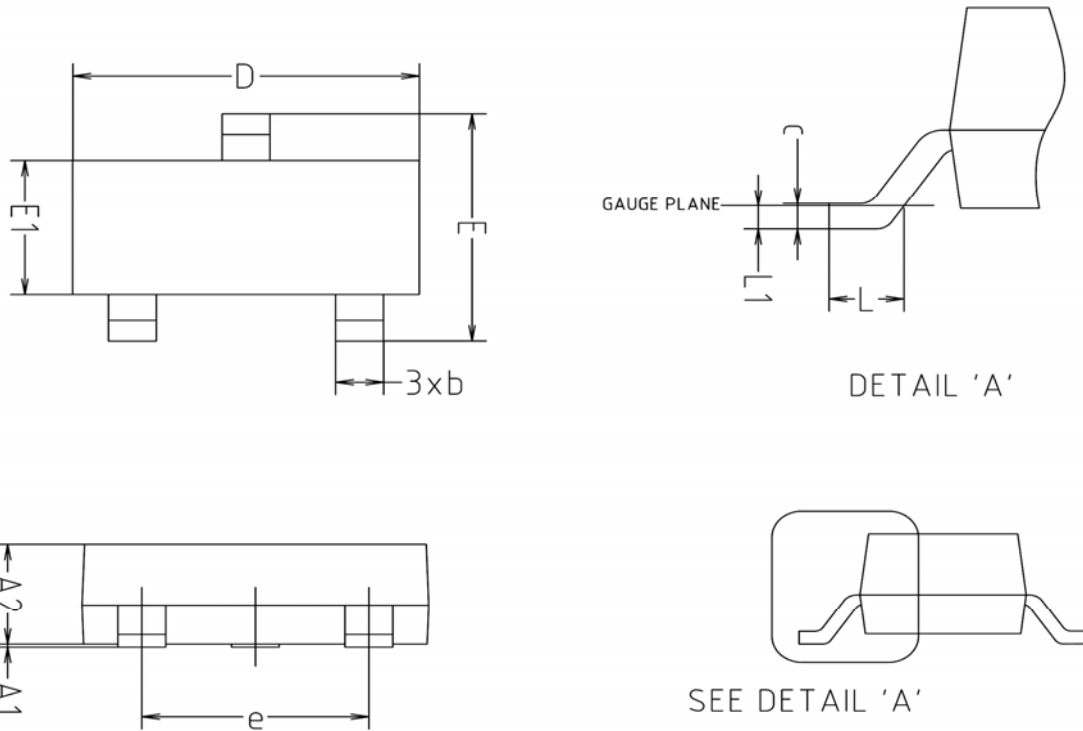


Fig. 3  $V_{CE(sat)}$ - $I_C$

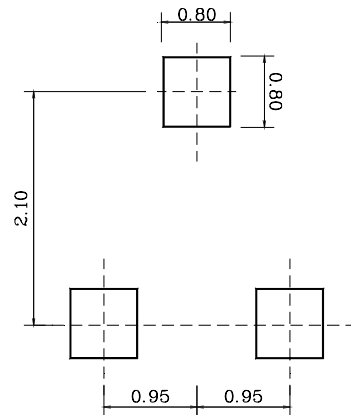


Outline Dimension



SYMBOL	MILLIMETERS			NOTE
	MINIMUM	NOMINAL	MAXIMUM	
A1	0.00	-	0.10	
A2	0.82	-	1.02	
b	0.39	0.42	0.45	
c	0.09	0.12	0.15	
D	2.80	2.90	3.00	
E	2.20	2.40	2.60	
E1	1.20	1.30	1.40	
e	1.90BSC			
L	0.20	-	-	
L1	0.12BSC			

※Recommend PCB solder land [Unit: mm]



**The AUK Corp. products are intended for the use as components in general electronic equipment (Office and communication equipment, measuring equipment, home appliance, etc.).**

**Please make sure that you consult with us before you use these AUK Corp. products in equipments which require high quality and / or reliability, and in equipments which could have major impact to the welfare of human life(atomic energy control, airplane, spaceship, transportation, combustion control, all types of safety device, etc.). AUK Corp. cannot accept liability to any damage which may occur in case these AUK Corp. products were used in the mentioned equipments without prior consultation with AUK Corp..**

**Specifications mentioned in this publication are subject to change without notice.**