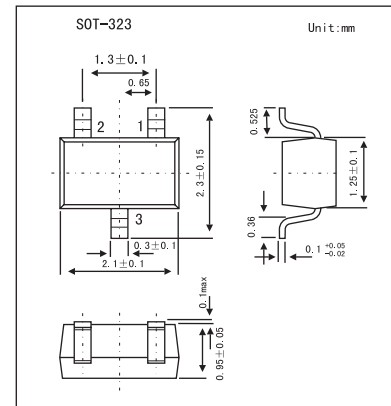


PIN Diode for VHF,UHF,AGC Applications

1SV249

■ Features

- Very small-sized package facilitates high-density mounting and permits 1SV249-applied equipment to be made smaller.
- Small interterminal capacitance ($C=0.23\text{pF}$ typ).
- Small forward series resistance ($r_s=4.5\ \Omega$ typ).

■ Absolute Maximum Ratings $T_a = 25\ ^\circ\text{C}$

Parameter	Symbol	Value	Unit
Reverse Voltage	V_R	50	V
Forward Current	I_F	50	mA
Allowable Power Dissipation	P	100	mW
Junction Temperature	T_j	125	$^\circ\text{C}$
Storage temperature	T_{stg}	-55 to +125	$^\circ\text{C}$

■ Electrical Characteristics $T_a = 25\ ^\circ\text{C}$

Parameter	Symbol	Conditions	Min	Typ	Max	Unit
Reverse Voltage	V_R	$I_R = 10\ \mu\text{A}$	50			V
Reverse Current	I_R	$V_R = 50\ \text{V}$			0.1	μA
Forward Voltage	V_F	$I_F = 50\ \text{mA}$		0.95		V
Interterminal Capacitance	C	$V_R = 50\ \text{V}, f = 1\ \text{MHz}$		0.23		pF
Series Resistance	r_s	$I_F = 10\ \text{mA}, f = 100\ \text{MHz}$			4.5	Ω

■ Marking

Marking	GV
---------	----