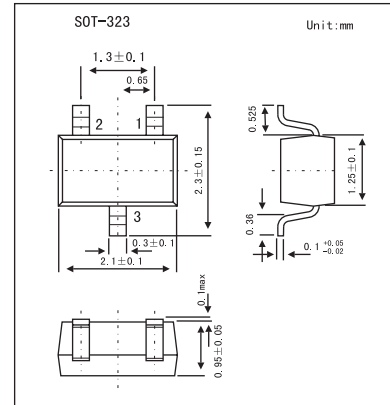
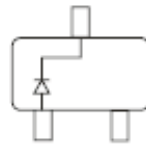


Surface Mount Fast Switching Diode Array

KAS19W - KAS21W (BAS19W - BAS21W)

■ Features

- Fast Switching Speed
- Surface Mount Package Ideally Suited for Automatic Insertion
- For General Purpose Switching Applications
- High Conductance



■ Absolute Maximum Ratings $T_a = 25^\circ\text{C}$

Parameter	Symbol	KAS19W	KAS20W	KAS21W	Unit
Non-Repetitive Peak Reverse Voltage	V_{RM}	120	200	250	V
Peak Repetitive Reverse Voltage	V_{RRM}				
Working Peak Reverse Voltage	V_{RWM}	100	150	200	V
DC Blocking Voltage	V_R				
RMS Reverse Voltage	$V_{R(RMS)}$	71	106	140	V
Average Rectified Output Current	I_o		200		mA
Forward Continuous Current	I_{FM}		400		mA
Non-Repetitive Peak Forward Surge Current @ $t = 1.0 \mu\text{s}$ @ $t = 1.0\text{s}$	I_{FSM}		2.5 0.5		A
Repetitive Peak Forward Surge Current	I_{FRM}		625		mA
Power Dissipation	P_d		200		mW
Thermal Resistance Junction to Ambient Air	$R_{\theta JA}$		625		K/W
Operating and Storage Temperature Range	T, T_{STG}		-65 to +150		$^\circ\text{C}$

■ Electrical Characteristics $T_a = 25^\circ\text{C}$

Parameter	Symbol	Testconditions	Min	Typ	Max	Unit
Reverse Breakdown Voltage KAS19W KAS20W KAS21W	$V_{(BR)R}$	$I_R = 100 \mu\text{A}$	120 200 250			V
Forward Voltage	V_F	$I_F = 100\text{mA}$ $I_F = 200\text{mA}$			1.0 1.25	V
Reverse Current @ Rated DC Blocking Voltage	I_R	$T_j = 25^\circ\text{C}$ $T_j = 100^\circ\text{C}$			100 15	nA μA
Junction Capacitance	C_j	$V_R = 0, f = 1.0\text{MHz}$			5	pF
Reverse Recovery Time	t_{rr}	$I_F = I_R = 30\text{mA}, I_{rr} = 0.1 \times I_R, R_L = 100 \Omega$			50	ns

■ Marking

NO.	KAS19W	KAS20W	KAS21W
Marking	KA8 or KT2 or KT3	KT2 or KT3	KT3