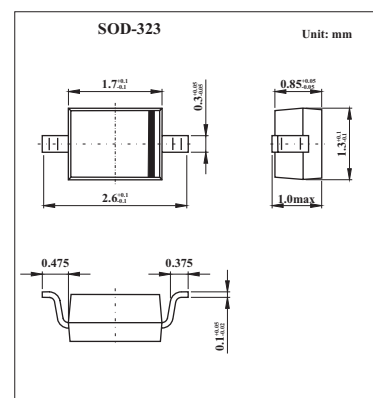


SCHOTTKY DIODE

SD104BWS

■ Features

- Low turn-on voltage
- Low Capacitance
- Ultrafast switching
- Microminiature plastic package
- Single, double, and ring balanced mixer in narrow band receivers up to 1 GHz
- Detectors and fast switching up to 1 GHz
- Phase detectors
- Suitable for trdios, TV, CTV, and hyper band tuners



■ Absolute Maximum Ratings $T_a = 25^\circ\text{C}$

Parameter	Symbol	Value	Unit
Continuous Reverse Voltage	V_R	15	V
Forward Current	I_F	30	mA
Power Dissipation $T_c = 25^\circ\text{C}$	P_{tot}	150 ⁽¹⁾	mW
Thermal Resistance Junction to Ambient Air	$R_{\theta JA}$	650 ⁽¹⁾	$^\circ\text{C}/\text{W}$
Junction Temperature	T_J	125	$^\circ\text{C}$
Storage Temperature Range	T_S	-55 to +150	$^\circ\text{C}$

Note:

1. Valid provided that electrodes are kept at ambient temperature

■ Electrical Characteristics $T_a = 25^\circ\text{C}$

Characteristic	Symbol	Test Condition	Min	Typ	Max	Unit
Reverse Breakdown Voltage (Note 2)	V_R	$I_R = 10 \mu\text{A}$	15			V
Leakage Current	I_R	$V_R = 10\text{V}$			500	V
Forward Voltage Drop	V_F	$I_F = 0.1 \text{ mA}$			325	mV
		$I_F = 1.0 \text{ mA}$			425	
		$I_F = 10 \text{ mA}$			580	
Diodes Capacitance	C_D	$V_R = 0 \text{ V}, f = 1 \text{ MHz}$			0.9	pF