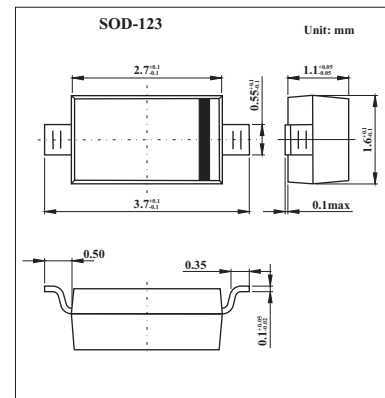


Schottky barrier diode

KB161M-20

■ Features

- Power mold type.
- Low V_F
- High reliability



■ Absolute Maximum Ratings $T_a = 25^\circ\text{C}$

Parameter	Symbol	Rating	Unit
Reverse voltage (repetitive peak)	V_{RM}	25	V
Reverse voltage (DC)	V_R	20	V
Average rectified forward current	I_o	1	A
Forward current surge peak	I_{FSM}	30	A
operating junction temperature	T_j	125	$^\circ\text{C}$
storage temperature	T_{stg}	-40 to +150	$^\circ\text{C}$

■ Electrical Characteristics $T_a = 25^\circ\text{C}$

Parameter	Symbol	Testconditons	Min	Typ	Max	Unit
Forward voltage	V_F	$I_F=1.0A$			0.55	V
		$I_F=3.0A$			0.9	V
Reverse current	I_R	$V_R=20V$		280	700	μA

■ Marking

Marking	SL
---------	----

KB161M-20

■ Typical Characteristic

