

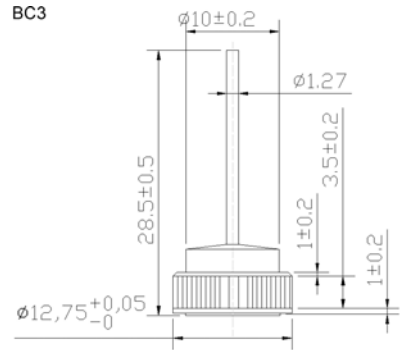
## Technical Specification:

### Features:

- ◆ High power capability
- ◆ Economical
- ◆ Avalanche Voltage: 37V to 41V

### Mechanical Data:

- ◆ Case: Copper case
- ◆ Epoxy: UL94-0 rate flame retardant
- ◆ Chip: Glass passivated chip or of chip
- ◆ Polarity: As marked of case bottom
- ◆ Technology vacuum soldered
- ◆ Lead: Plated lead, solderable per MIL-STD-202E method 208C
- ◆ Weight: 0.229 ounces 6.48 grams



Dimensions in millimeters

## Maximum Ratings and Electrical Characteristics

- ◆ Rating at 25°C ambient temperature unless otherwise specified.
- ◆ Single phase, half wave, 60Hz, resistive or inductive load.
- ◆ For capacitive load derate current by 20%.

Electrical Characteristics @ 25°C	Symbols	Min.	Nominal	Max.	Units
Peak repetitive reverse voltage	$V_{RRM}$		28		Volts
Working peak reverse voltage	$V_{SRM}$		28		
DC blocking voltage	$V_{DC}$		28		
Average rectified forward current at $T_c=125^\circ\text{C}$	$I_o$		35		Amps
Repetitive peak reverse surge current $T_c=80\text{m sec duty cycle } <1\%$	$I_{SRM}$		35		Amps
Breakdown voltage ( $V_{br}$ @ $I_F=100\text{mA}$ , $T_c=25^\circ\text{C}$ ) $I_F=90\text{Amps}$ , $T_c=150^\circ\text{C}$ , $PW=80\text{usec}$	$V_{brd}$ $V_{brd}$	37	39	41 54	Volts
Forward voltage drop ( $V_{brd}$ ) @ $I_F=100\text{Amps}$ < 300usec	$V_F$	0.98	1.05	1.08	Volts
Peak forward surge current	$I_{FSM}$		400		Amps
Reverse leakage ( $V_R=28\text{Vdc}$ ) $T_A=25^\circ\text{C}$	$I_R$	0.2	1.0	2.0	$\mu\text{A}$
Operating junction and storage temperature range	$T_J, T_{STG}$		-65 to +175		$^\circ\text{C}$

**Notes:** 1. Enough heatsink must be considered in application.

