

### 75A, 50V, 0.008 Ohm, N-Channel Power MOSFET

These are N-Channel enhancement mode silicon gate power field effect transistors. They are advanced power MOSFETs designed, tested, and guaranteed to withstand a specified level of energy in the breakdown avalanche mode of operation. All of these power MOSFETs are designed for applications such as switching regulators, switching convertors, motor drivers, relay drivers, and drivers for high power bipolar switching transistors requiring high speed and low gate drive power. These types can be operated directly from integrated circuits.

Formerly developmental type TA09821.

### Ordering Information

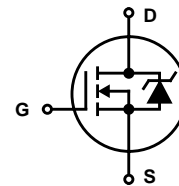
PART NUMBER	PACKAGE	BRAND
RFG75N05E	TO-247	RFG75N05E

NOTE: When ordering, include the entire part number.

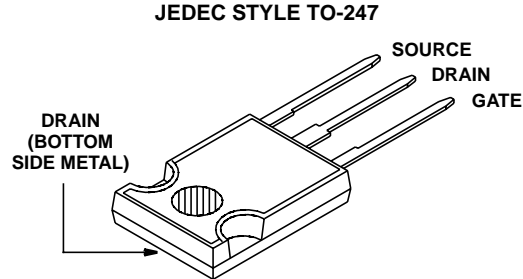
### Features

- 75A, 50V
- $r_{DS(ON)} = 0.008\Omega$
- Electrostatic Discharge Rated
- UIS Rating Curve (Single Pulse)
- 175°C Operating Temperature
- Temperature Compensated PSPICE® Model Provided

### Symbol



### Packaging



# RFG75N05E

## Absolute Maximum Ratings $T_C = 25^\circ\text{C}$ , Unless Otherwise Specified

	RFG75N05E	UNITS
Drain to Source Voltage (Note 1) . . . . .	50	V
Drain to Gate Voltage ( $R_{GS} = 20\text{k}\Omega$ ) (Note 1) . . . . .	50	V
Continuous Drain Current (Current Limited by Package) . . . . .	75	A
Pulsed Drain Current (Note 3) . . . . .	200	A
Gate to Source Voltage . . . . .	$\pm 20$	V
Maximum Power Dissipation . . . . .	240	W
Linear Derating Factor . . . . .	1.6	$\text{W}/^\circ\text{C}$
Electrostatic Discharge Rating, MIL-STD-883, Category B(2) . . . . .	2	kV
Single Pulse Avalanche Rating (Note 4) . . . . .	Refer to UIS SOA Curves	
Operating and Storage Temperature . . . . .	$T_J, T_{STG}$	$^\circ\text{C}$
Maximum Temperature for Soldering		
Leads at 0.063in (1.6mm) from Case for 10s . . . . .	$T_L$	$^\circ\text{C}$
Package Body for 10s, See Techbrief 334 . . . . .	$T_{pkg}$	$^\circ\text{C}$

**CAUTION:** Stresses above those listed in "Absolute Maximum Ratings" may cause permanent damage to the device. This is a stress only rating and operation of the device at these or any other conditions above those indicated in the operational sections of this specification is not implied.

### NOTE:

- $T_J = 25^\circ\text{C}$  to  $125^\circ\text{C}$ .

## Electrical Specifications $T_C = 25^\circ\text{C}$ , Unless Otherwise Specified

PARAMETER	SYMBOL	TEST CONDITIONS	MIN	TYP	MAX	UNITS
Drain to Source Breakdown Voltage	$BV_{DSS}$	$V_{GS} = 0\text{V}, I_D = 250\mu\text{A}$ (Figure 9)	50	-	-	V
Gate Threshold Voltage	$V_{GS(TH)}$	$V_{GS} = V_{DS}, I_D = 250\mu\text{A}$ (Figure 8)	2.0	-	4.0	V
Zero Gate Voltage Drain Current	$I_{DSS}$	$V_{DS} = \text{Rated } BV_{DSS}, V_{GS} = 0\text{V}$	-	-	1	$\mu\text{A}$
		$V_{DS} = 0.8 \times \text{Rated } BV_{DSS}, V_{GS} = 0\text{V}, T_C = 150^\circ\text{C}$	-	-	25	$\mu\text{A}$
Gate to Source Leakage	$I_{GSS}$	$V_{GS} = \pm 20\text{V}$	-	-	$\pm 100$	nA
Drain to Source on Resistance (Note 2)	$r_{DS(ON)}$	$V_{GS} = 10\text{V}, I_D = 75\text{A}$ (Figure 7)	-	-	0.008	$\Omega$
Turn On Time	$t_{(ON)}$	$V_{DD} = 25\text{V}, I_D \approx 37.5\text{A}, R_L = 0.67\Omega, R_G = 1.67\Omega, V_{GS} = 10\text{V},$ (Figure 11)	-	-	125	ns
Turn On Delay Time	$t_{d(ON)}$		-	17	-	ns
Rise Time	$t_r$		-	75	-	ns
Turn Off Delay Time	$t_{d(OFF)}$		-	70	-	ns
Fall Time	$t_f$		-	17	-	ns
Turn Off Time	$t_{(OFF)}$		-	-	-	125
Total Gate Charge (Gate to Source + Gate to Drain)	$Q_g(\text{TOT})$	$V_{GS} = 0, 20\text{V}$	-	-	400	nC
Gate Charge at 10V	$Q_g(10)$	$V_{GS} = 0, 10\text{V}$				
Threshold Gate Charge	$Q_g(\text{TH})$	$V_{GS} = 0, 2\text{V}$				
Junction to Case	$R_{\theta JC}$		-	-	0.625	$^\circ\text{C}/\text{W}$
Junction to Ambient	$R_{\theta JA}$		-	-	80	$^\circ\text{C}/\text{W}$

## Source to Drain Diode Specifications

PARAMETER	SYMBOL	TEST CONDITIONS	MIN	TYP	MAX	UNITS
Source to Drain Diode Voltage	$V_{SD}$	$I_{SD} = 75\text{A}$	-	-	1.5	V
Diode Reverse Recovery Time	$t_{rr}$	$I_{SD} = 75\text{A}, dI_{SD}/dt = 100\text{A}/\mu\text{s}$	-	-	125	ns

### NOTES:

- Pulse test: pulse width  $\leq 300\mu\text{s}$ , duty cycle  $\leq 2\%$ .
- Repetitive pulse: pulse width is limited by maximum junction temperature.
- Refer to Intersil Application Notes AN9321 and AN9322. See Figure 4.

Typical Performance Curves Unless Otherwise Specified

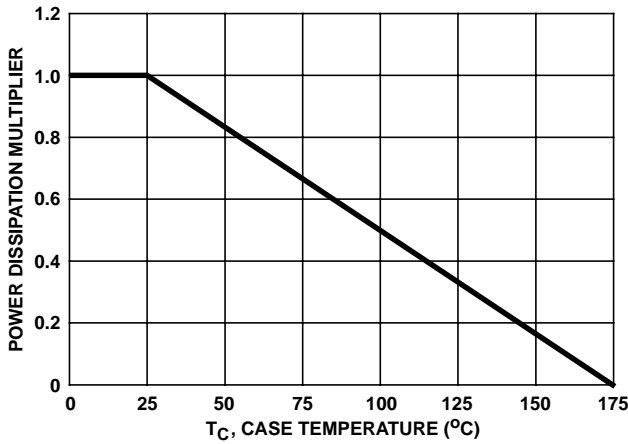


FIGURE 1. NORMALIZED POWER DISSIPATION vs CASE TEMPERATURE

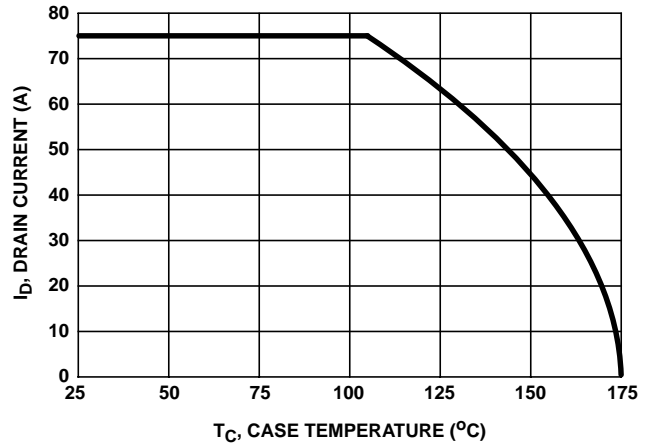


FIGURE 2. MAXIMUM CONTINUOUS DRAIN CURRENT vs CASE TEMPERATURE

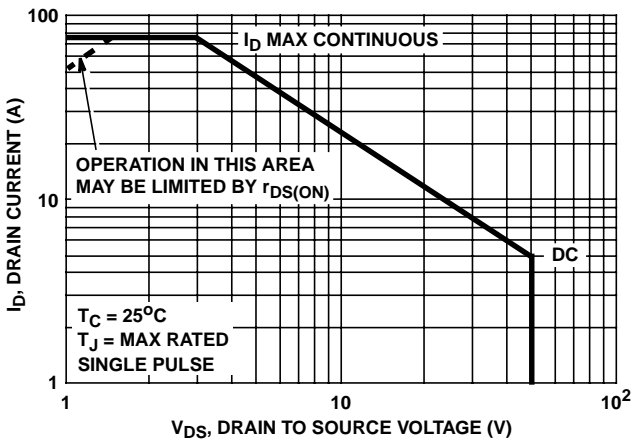


FIGURE 3. FORWARD BIAS SAFE OPERATING AREA

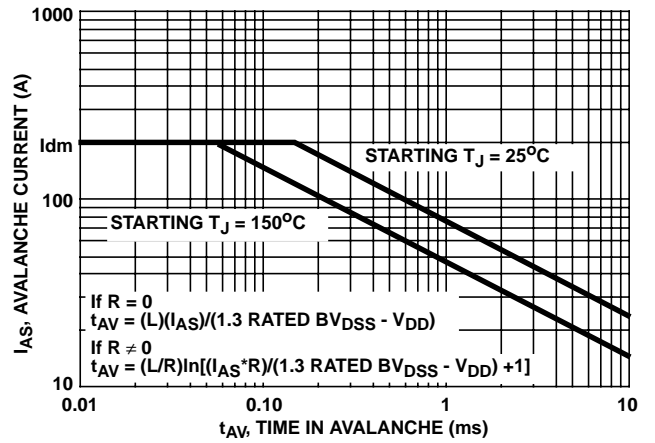


FIGURE 4. UNCLAMPED INDUCTIVE SWITCHING SOA (SINGLE PULSE UIS SOA)

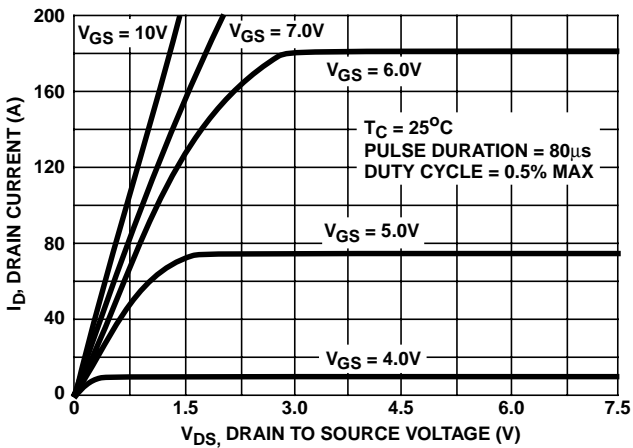


FIGURE 5. SATURATION CHARACTERISTICS

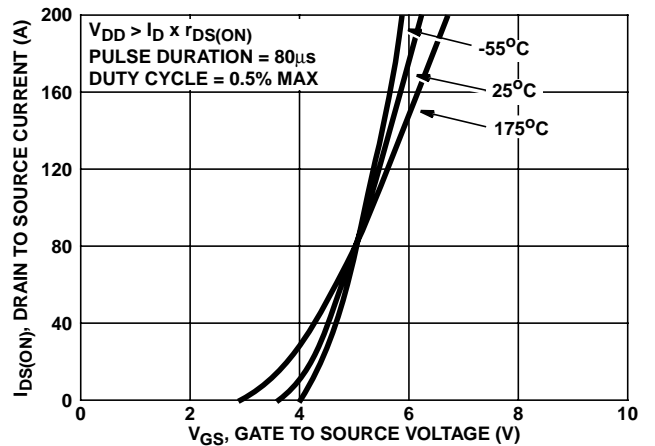


FIGURE 6. TRANSFER CHARACTERISTICS

Typical Performance Curves Unless Otherwise Specified (Continued)

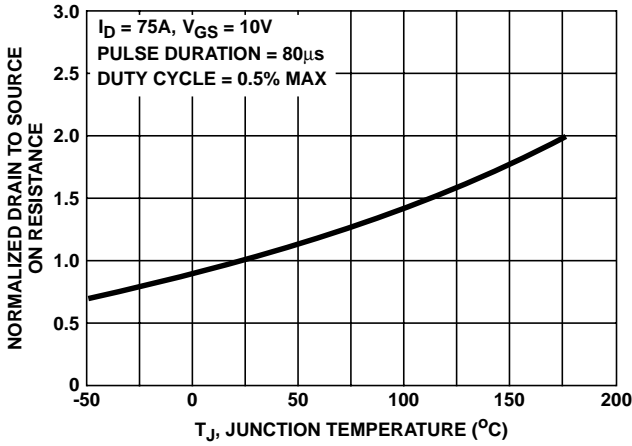


FIGURE 7. NORMALIZED DRAIN TO SOURCE ON RESISTANCE vs JUNCTION TEMPERATURE

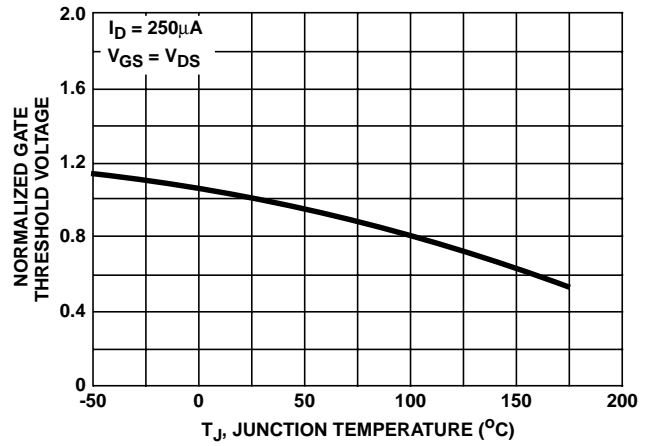


FIGURE 8. NORMALIZED GATE THRESHOLD VOLTAGE vs JUNCTION TEMPERATURE

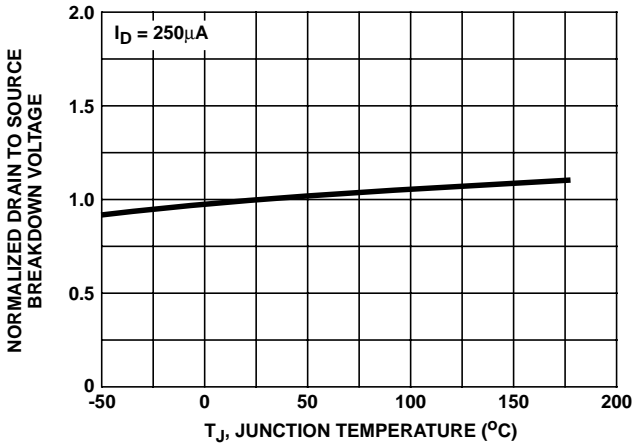


FIGURE 9. NORMALIZED DRAIN TO SOURCE BREAKDOWN VOLTAGE vs JUNCTION TEMPERATURE

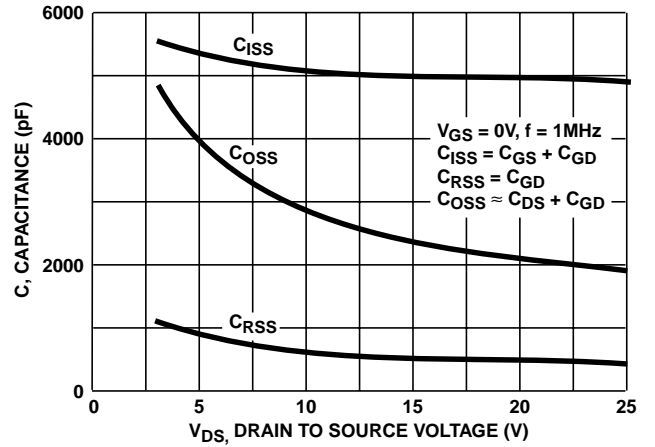
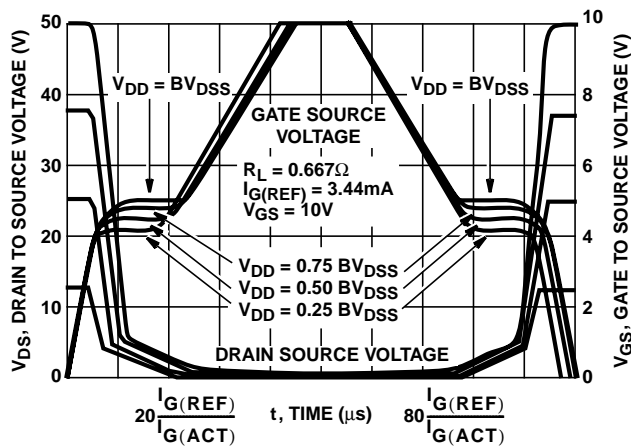


FIGURE 10. CAPACITANCE vs DRAIN TO SOURCE VOLTAGE



NOTE: Refer to Intersil Application Notes AN7254 and AN7260.

FIGURE 11. NORMALIZED SWITCHING WAVEFORMS FOR CONSTANT GATE CURRENT

Test Circuits and Waveforms

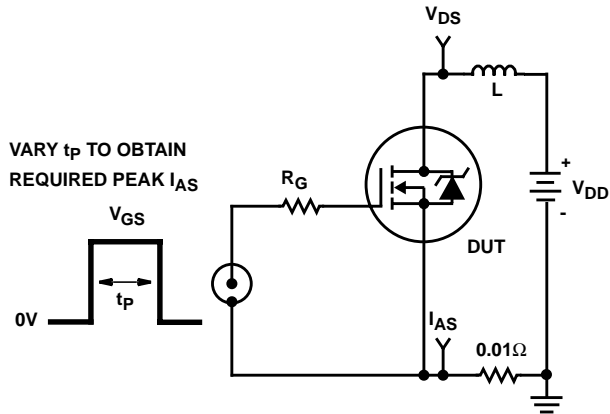


FIGURE 12. UNCLAMPED ENERGY TEST CIRCUIT

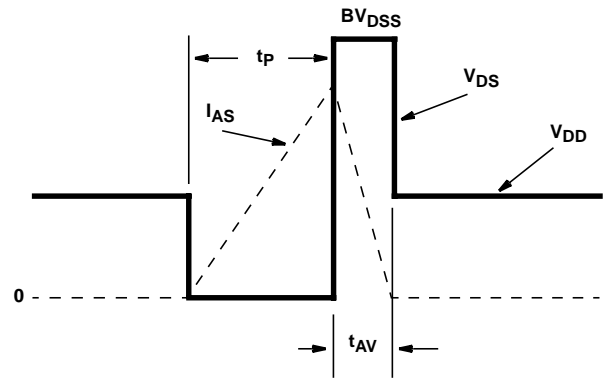


FIGURE 13. UNCLAMPED ENERGY WAVEFORMS

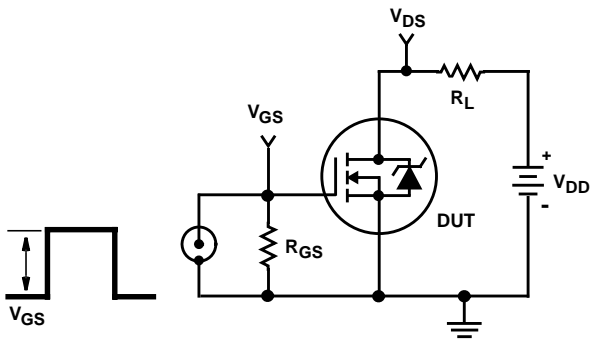


FIGURE 14. SWITCHING TIME TEST CIRCUIT

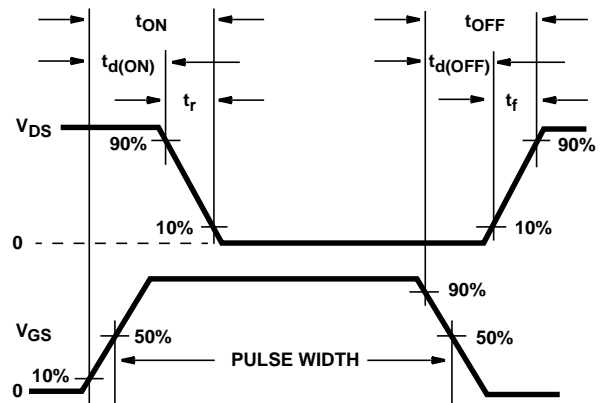


FIGURE 15. RESISTIVE SWITCHING WAVEFORMS

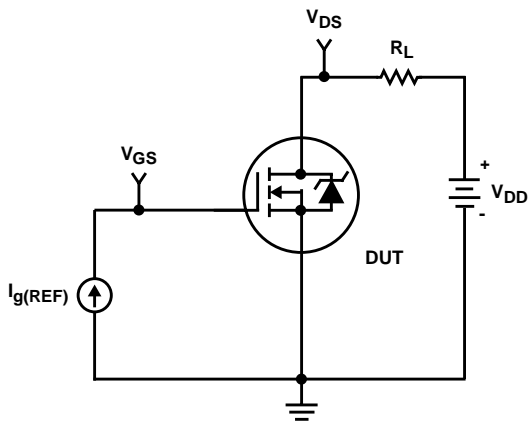


FIGURE 16. GATE CHARGE TEST CIRCUIT

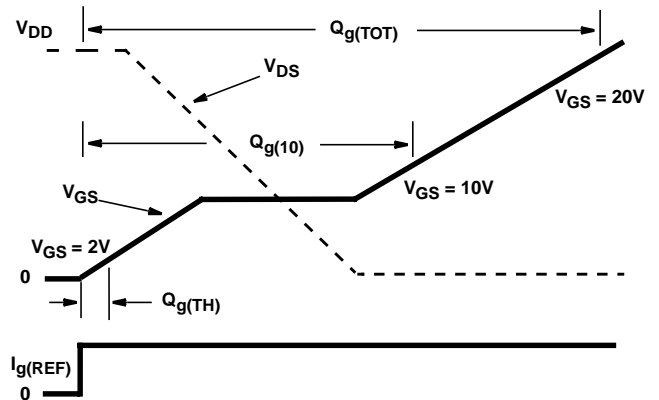
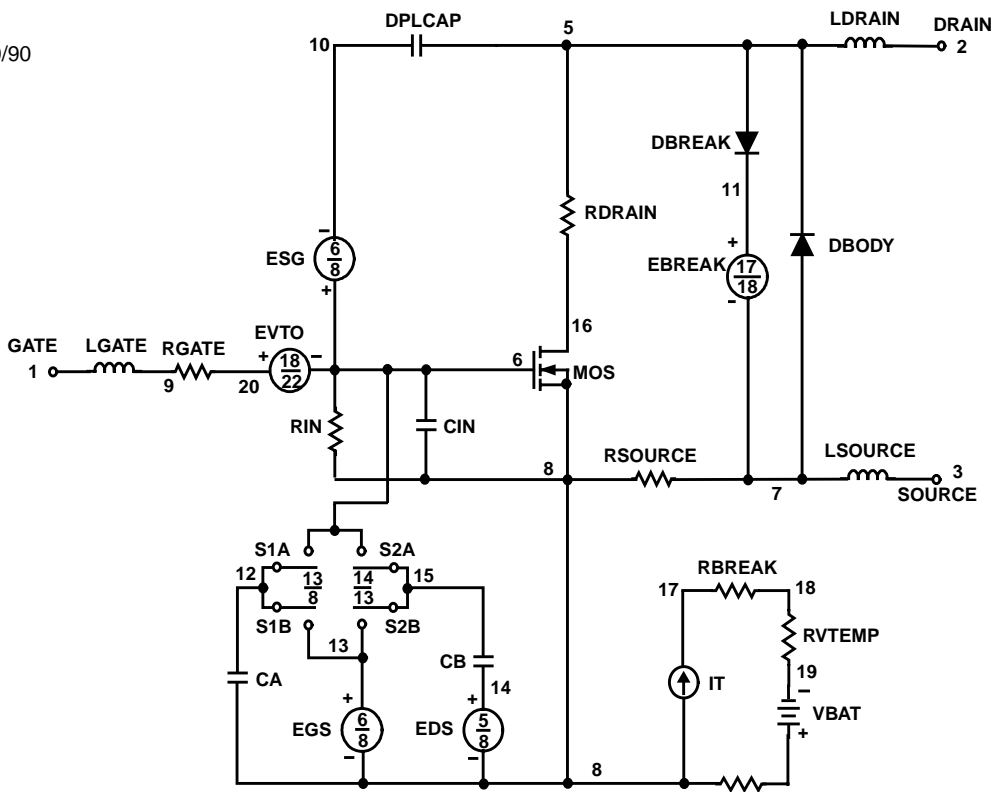


FIGURE 17. GATE CHARGE WAVEFORM

**PSpice Electrical Model**

```
.SUBCKT RFG75N05 2 1 3 ; rev 10/30/90
*Nominal Temperature = 25°C
CA 12 8 8.98e-9
CB 15 14 8.81e-9
Cin 6 8 4.48e-9
DPLCAP 10 5 DPLCAPMOD
Dbody 7 5 DBODYMOD
Dbreak 5 11 DBREAKMOD
Eds 14 8 5 8 1
Egs 13 8 6 8 1
Esg 6 10 6 8 1
Ebreak 11 7 17 18 58.4
EVTEMP 20 6 18 8 1
IT 8 17 1
Ldrain 2 5 e-10
Lgate 1 9 5e-9
Lsource 3 7 3e-9
Mos 16 6 8 8 MODMOD
Rbreak 17 18 RBREAKMOD 1
Rdrain 5 16 RSOURCEMOD 3.07e-3
Rgate 9 20 1.2
Rin 6 8 1e9
Rsource 8 7 RSOURCEMOD 2.e-3
RVTEMP 18 19 RVTONEGMOD 1
S1a 6 12 13 8 S1AMOD
S1b 13 12 13 8 S1BMOD
S2a 6 15 14 13 S2AMOD
S2b 13 15 14 13 S2ABMOD
Vbat 8 19 DC 1
.MODEL S1AMOD VSWITCH (RON=1e-5 ROFF=0.1 VON=-2.48 VOFF=-0.48)
.MODEL S1BMOD VSWITCH (RON=1e-5 ROFF=0.1 VON=0.48 VOFF=-2.48)
.MODEL S2AMOD VSWITCH (RON=1e-5 ROFF=0.1 VON=-2.25 VOFF=2.75)
.MODEL S2ABMOD VSWITCH (RON=1e-5 ROFF=0.1 VON =2.75 VOFF=-2.25)
.MODEL DBODYMOD D (IS=2.23e-12 RS=249e-3 TRS1=2.5e-3 CJO=7.55e-9 TT=4e-8)
.MODEL DBREAKMOD D (RS=8e-2 TRS1=2.5e-3)
.MODEL DPLCAPMOD D (IS=1e-30 N=10 CJO=2.14e-9)
.MODEL RBREAKMOD RES (TC1=9.5e-4 TC2=-1.17e-6)
.MODEL RSOURCEMOD RES (TC1=5.2e-3 TC2=1.37e-5)
.MODEL RVTONEGMOD RES (TC1=-3.78e-3 TC2=-7.51e-7)
.MODEL MODMOD NMOS (VTO=3.48 N=10 IS=1e-30 KP=78.5 TOX=1 L=1u W1u)
.ENDS
```



All Intersil semiconductor products are manufactured, assembled and tested under **ISO9000** quality systems certification.

*Intersil semiconductor products are sold by description only. Intersil Corporation reserves the right to make changes in circuit design and/or specifications at any time without notice. Accordingly, the reader is cautioned to verify that data sheets are current before placing orders. Information furnished by Intersil is believed to be accurate and reliable. However, no responsibility is assumed by Intersil or its subsidiaries for its use; nor for any infringements of patents or other rights of third parties which may result from its use. No license is granted by implication or otherwise under any patent or patent rights of Intersil or its subsidiaries.*

For information regarding Intersil Corporation and its products, see web site <http://www.intersil.com>

**Sales Office Headquarters**

**NORTH AMERICA**  
 Intersil Corporation  
 P. O. Box 883, Mail Stop 53-204  
 Melbourne, FL 32902  
 TEL: (407) 724-7000  
 FAX: (407) 724-7240

**EUROPE**  
 Intersil SA  
 Mercure Center  
 100, Rue de la Fusee  
 1130 Brussels, Belgium  
 TEL: (32) 2.724.2111  
 FAX: (32) 2.724.22.05

**ASIA**  
 Intersil (Taiwan) Ltd.  
 7F-6, No. 101 Fu Hsing North Road  
 Taipei, Taiwan  
 Republic of China  
 TEL: (886) 2 2716 9310  
 FAX: (886) 2 2715 3029