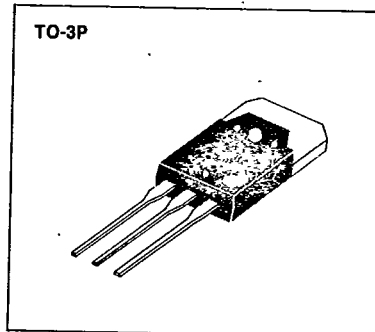


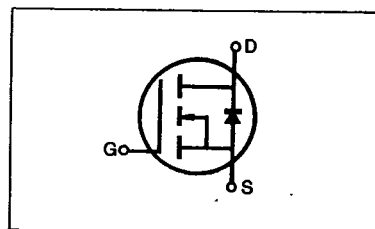
IRFP250/251/252/253**N-CHANNEL
POWER MOSFETS****FEATURES**

- Low $R_{DS(on)}$
- Improved inductive ruggedness
- Fast switching times
- Rugged polysilicon gate cell structure
- Low input capacitance
- Extended safe operating area
- Improved high temperature reliability
- TO-3P package

TO-3P

**PRODUCT SUMMARY**

Part Number	V_{DS}	$R_{DS(on)}$	I_D
IRFP250	200V	0.085 Ω	30A
IRFP251	150V	0.085 Ω	30A
IRFP252	200V	0.12 Ω	25A
IRFP253	150V	0.12 Ω	25A

**MAXIMUM RATINGS**

Characteristic	Symbol	IRFP250	IRFP251	IRFP252	IRFP253	Unit
Drain-Source Voltage (1)	V_{DSS}	200	150	200	150	Vdc
Drain-Gate Voltage ($R_{GS}=1.0M\Omega$) (1)	V_{DGR}	200	150	200	150	Vdc
Gate-Source Voltage	V_{GS}	± 20				Vdc
Continuous Drain Current $T_C=25^\circ C$	I_D	30	30	25	25	Adc
Continuous Drain Current $T_C=100^\circ C$	I_D	19	19	16	16	Adc
Drain Current—Pulsed (3)	I_{DM}	120	120	100	100	Adc
Gate Current—Pulsed	I_{GM}	± 1.5				Adc
Total Power Dissipation @ $T_C=25^\circ C$	P_D	150				Watts W/ $^\circ C$
Derate above $25^\circ C$		1.2				
Operating and Storage Junction Temperature Range	T_J, T_{stg}	-55 to 150				$^\circ C$
Maximum Lead Temp. for Soldering Purposes, 1/8" from case for 5 seconds	T_L	300				$^\circ C$

Notes: (1) $T_J=25^\circ C$ to $150^\circ C$ (2) Pulse test: Pulse width $\leq 300\mu s$, Duty Cycle $\leq 2\%$

(3) Repetitive rating: Pulse width limited by max. junction temperature

IRFP250/251/252/253

N-CHANNEL
POWER MOSFETSELECTRICAL CHARACTERISTICS (T_C=25°C unless otherwise specified)

Characteristic	Symbol	Type	Min	Typ	Max	Units	Test Conditions
Drain-Source Breakdown Voltage	BV _{DSS}	IRFP250 IRFP252	200	—	—	V	V _{GS} =0V
		IRFP251 IRFP253	150	—	—	V	I _D =250μA
Gate Threshold Voltage	V _{GS(th)}	ALL	2.0	—	4.0	V	V _{DS} =V _{GS} , I _D =250μA
Gate-Source Leakage Forward	I _{GSS}	ALL	—	—	100	nA	V _{GS} =20V
Gate-Source Leakage Reverse	I _{GSS}	ALL	—	—	-100	nA	V _{GS} =-20V
Zero Gate Voltage Drain Current	I _{DSS}	ALL	—	—	250	μA	V _{DS} =Max. Rating, V _{GS} =0V
			—	—	1000	μA	V _{DS} =Max. Rating×0.8, V _{GS} =0V, T _C =125°C
On-State Drain-Source Current (2)	I _{D(on)}	IRFP250 IRFP251	30	—	—	A	V _{DS} >I _{D(on)} ×R _{DS(on) max.} , V _{GS} =10V
		IRFP252 IRFP253	25	—	—	A	
Static Drain-Source On-State Resistance (2)	R _{DS(on)}	IRFP250 IRFP251	—	0.07	0.085	Ω	V _{GS} =10V, I _D =16A
		IRFP252 IRFP253	—	0.09	0.120	Ω	
Forward Transconductance (2)	g _{fs}	ALL	8.0	12.5	—	S	V _{DS} >I _{D(on)} ×R _{DS(on) max.} , I _D =16A
Input Capacitance	C _{iss}	ALL	—	2640	3000	pF	V _{GS} =0V, V _{DS} =25V, f=1.0MHz
Output Capacitance	C _{oss}	ALL	—	800	1200	pF	
Reverse Transfer Capacitance	C _{rss}	ALL	—	300	500	pF	
Turn-On Delay Time	t _{d(on)}	ALL	—	—	35	ns	V _{DD} =0.5BV _{DSS} , I _D =2.5A, Z _O =15Ω (MOSFET switching times are essentially independent of operating temperature)
Rise Time	t _r	ALL	—	—	100	ns	
Turn-Off Delay Time	t _{d(off)}	ALL	—	—	125	ns	
Fall Time	t _f	ALL	—	—	100	ns	
Total Gate Charge (Gate-Source Plus Gate-Drain)	Q _g	ALL	—	68	120	nC	V _{GS} =10V, I _D =38A, V _{DS} =0.8 Max. Rating (Gate charge is essentially independent of operating temperature.)
Gate-Source Charge	Q _{gs}	ALL	—	18	—	nC	
Gate-Drain ("Miller") Charge	Q _{gd}	ALL	—	50	—	nC	

THERMAL RESISTANCE

Junction-to-Case	R _{thJC}	ALL	—	—	0.83	K/W	
Case-to-Sink	R _{thCS}	ALL	—	0.1	—	K/W	Mounting surface flat, smooth, and greased
Junction-to-Ambient	R _{thJA}	ALL	—	—	80	K/W	Free Air Operation

Notes: (1) T_J=25°C to 150°C

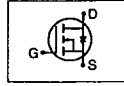
(2) Pulse test: Pulse width≤300μs, Duty Cycle≤2%

(3) Repetitive rating: Pulse width limited by max. junction temperature

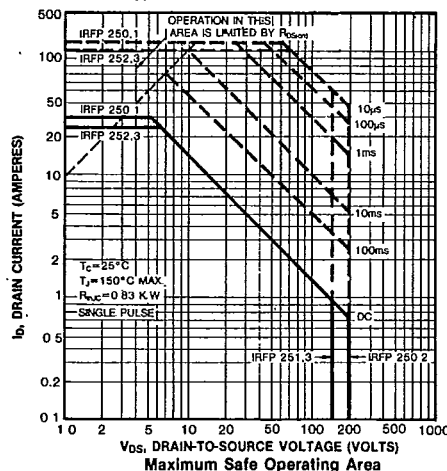
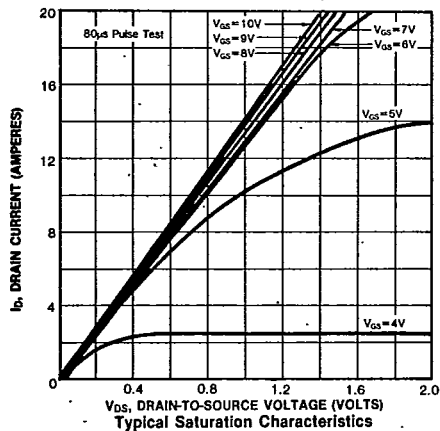
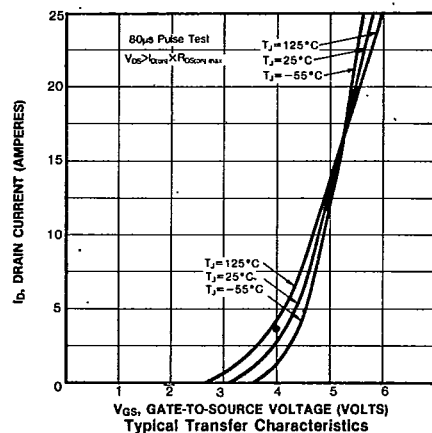
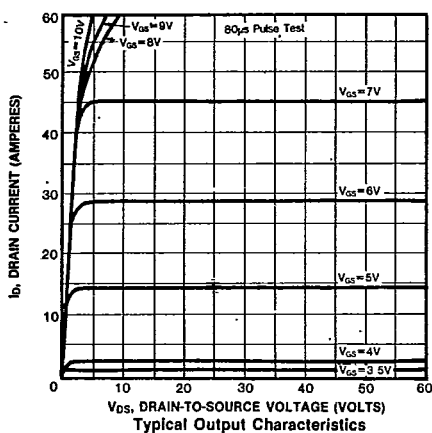


IRFP250/251/252/253

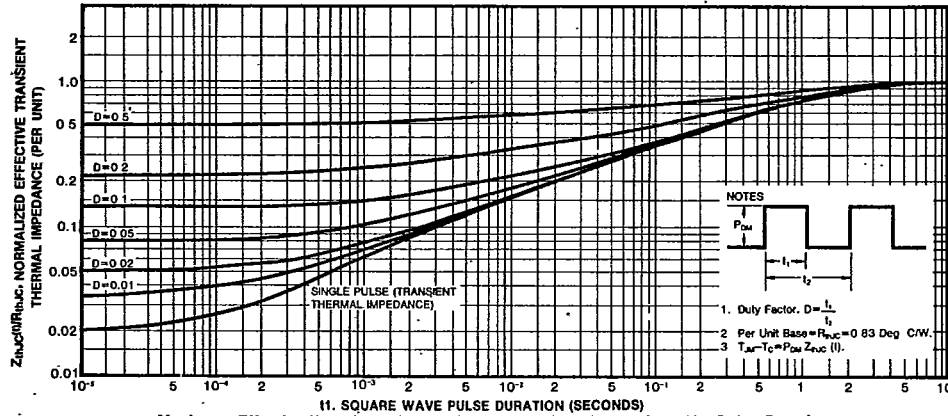
SOURCE-DRAIN DIODE RATINGS AND CHARACTERISTICS

Characteristic	Symbol	Type	Min	Typ	Max	Units	Test Conditions
Continuous Source Current (Body Diode)	I_S	IRFP250	—	—	30	A	Modified MOSFET symbol showing the integral reverse P-N junction rectifier 
		IRFP251	—	—	30	A	
		IRFP252	—	—	25	A	
		IRFP253	—	—	25	A	
Pulse Source Current (Body Diode) (3)	I_{SM}	IRFP250	—	—	120	A	
		IRFP251	—	—	120	A	
		IRFP252	—	—	100	A	
		IRFP253	—	—	100	A	
Diode Forward Voltage (2)	V_{SD}	IRFP250	—	—	2.0	V	$T_C=25^\circ\text{C}$, $I_S=30\text{A}$, $V_{GS}=0\text{V}$
		IRFP251	—	—	2.0	V	$T_C=25^\circ\text{C}$, $I_S=30\text{A}$, $V_{GS}=0\text{V}$
		IRFP252	—	—	1.8	V	$T_C=25^\circ\text{C}$, $I_S=25\text{A}$, $V_{GS}=0\text{V}$
Reverse Recovery Time	t_{rr}	ALL	—	750	—	ns	$T_J=150^\circ\text{C}$, $I_F=30\text{A}$, $dI_F/dt=100\text{A}/\mu\text{s}$

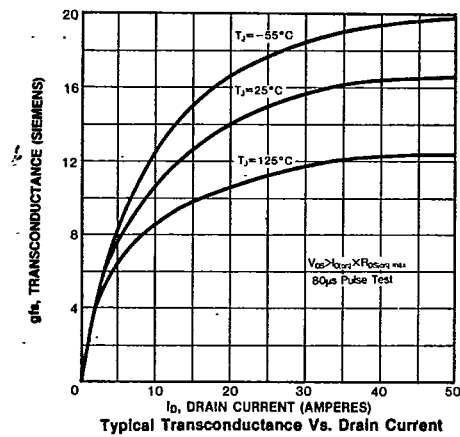
Notes: (1) $T_J=25^\circ\text{C}$ to 150°C (2) Pulse test: Pulse width $\leq 300\mu\text{s}$, Duty Cycle $\leq 2\%$
(3) Repetitive rating: Pulse width limited by max. junction temperature



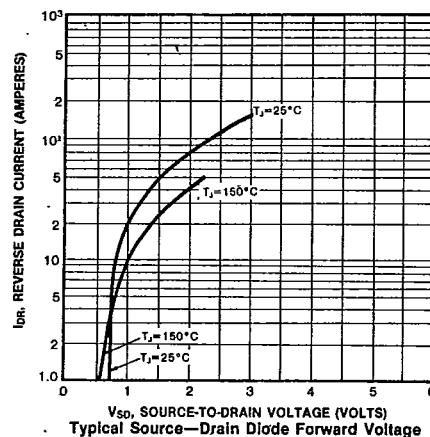
IRFP250/251/252/253



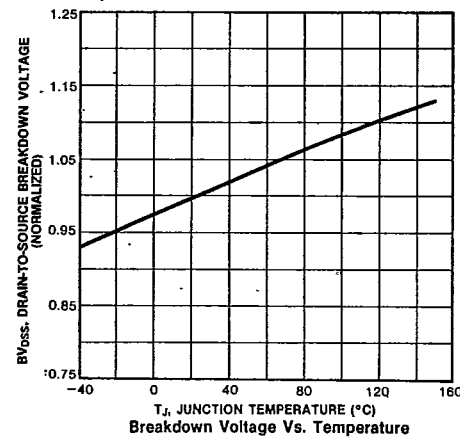
11. SQUARE WAVE PULSE DURATION (SECONDS)
Maximum Effective Transient Thermal Impedance Junction-to-Case Vs. Pulse Duration



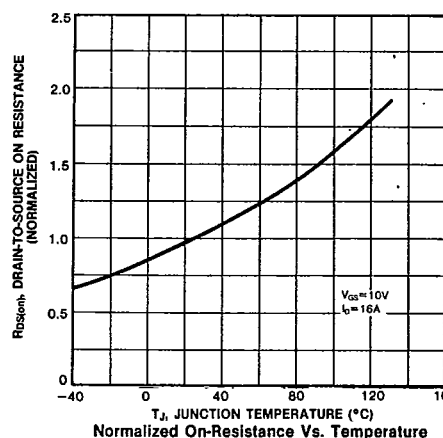
Typical Transconductance Vs. Drain Current



Typical Source-Drain Diode Forward Voltage



Breakdown Voltage Vs. Temperature

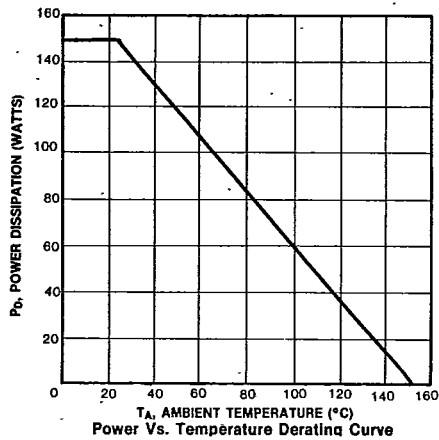
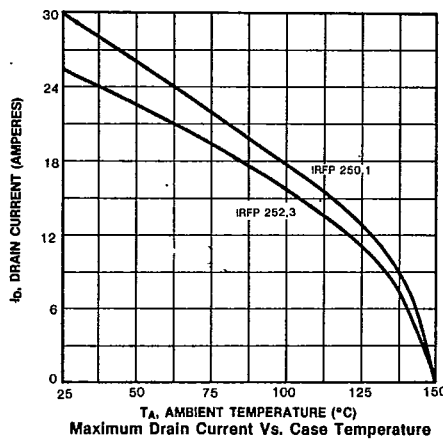
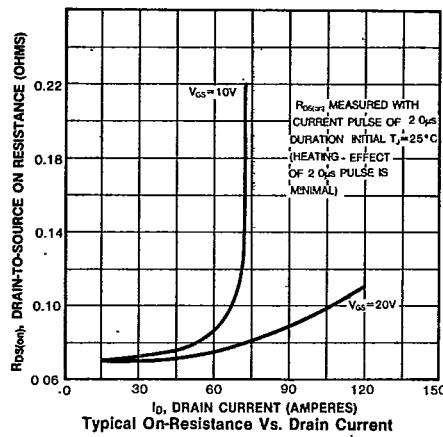
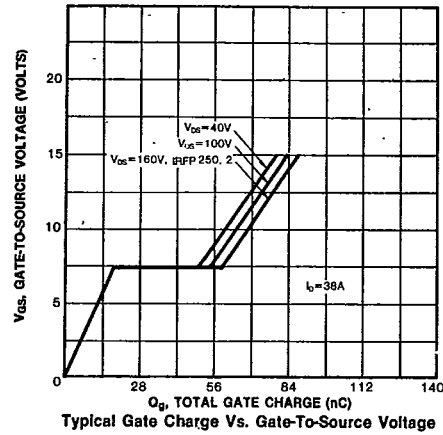
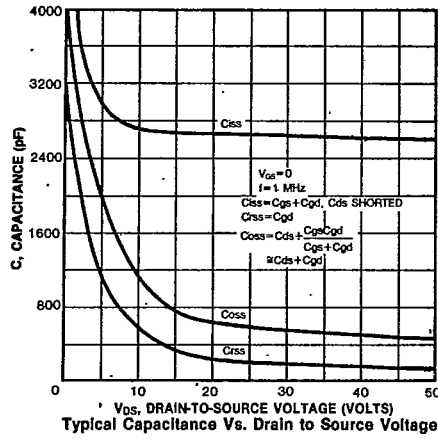


Normalized On-Resistance Vs. Temperature

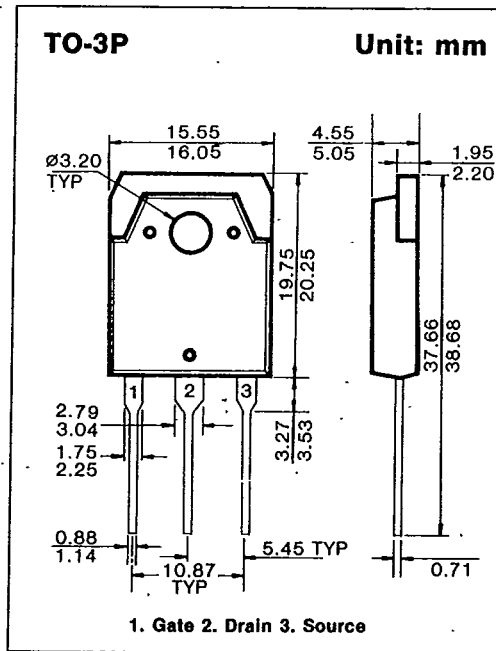
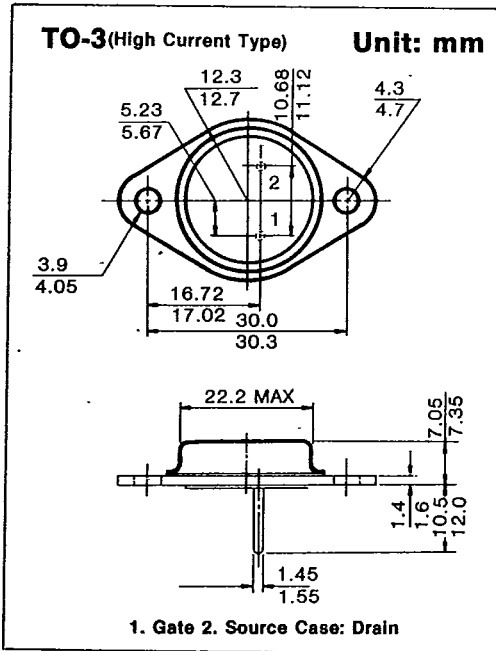
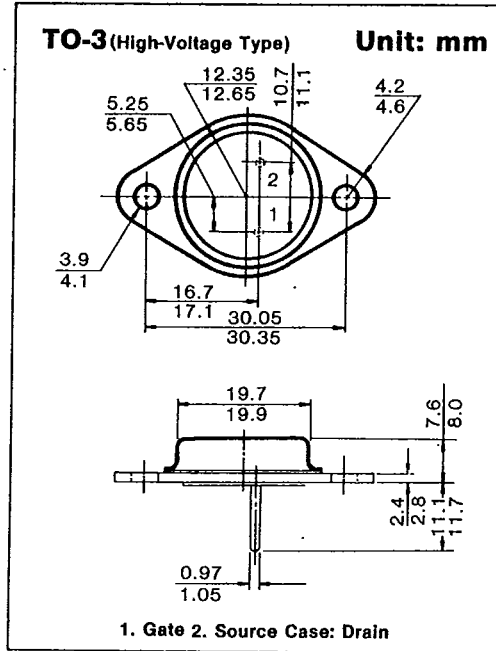
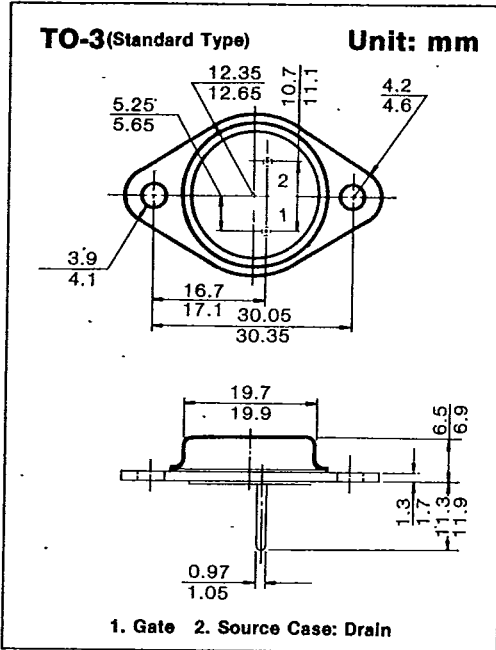
IRFP250/251/252/253

**N-CHANNEL
POWER MOSFETS**

T-39-13



PACKAGE DIMENSIONS



PACKAGE DIMENSIONS

