

2SK867, 2SK867A

Silicon N-channel Power F-MOS FET

■ Features

- Low ON resistance $R_{DS(on)}$: $R_{DS(on)} = 0.3\Omega$ (typ.)
- High switching rate : $t_f = 120\text{ns}$ (typ.)
- No secondary breakdown
- High breakdown voltage, large power

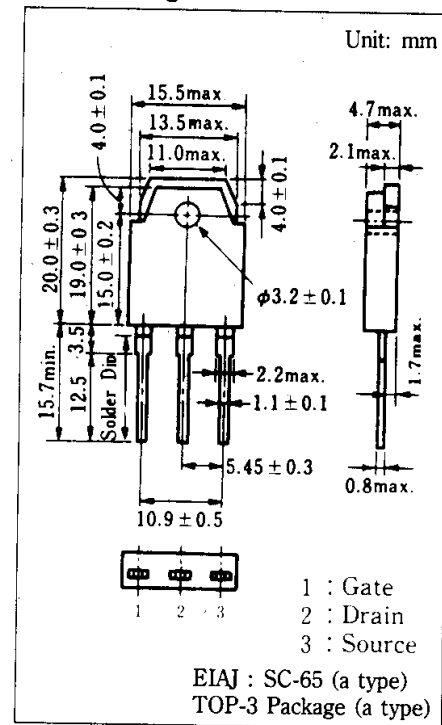
■ Application

- No contact relay
- Solenoid drive
- Motor drive
- Control equipment
- Switching power source

■ Absolute Maximum Ratings ($T_c = 25^\circ\text{C}$)

Item	Symbol	Value	Unit
Drain-source voltage	2SK867	400	V
	2SK867A	450	
Gate-source voltage	V_{GS}	± 20	V
Drain current	DC	15	A
	Peak-to-peak value	30	
Power dissipation	$T_c = 25^\circ\text{C}$	120	W
	$T_a = 25^\circ\text{C}$	2.5	
Channel temperature	T_{ch}	150	$^\circ\text{C}$
Storage temperature	T_{stg}	$-55 \sim +150$	$^\circ\text{C}$

■ Package Dimensions



■ Electrical Characteristics ($T_c = 25^\circ\text{C}$)

Item	Symbol	Condition	min.	typ.	max.	Unit
Drain current	I_{DSS}	$V_{DS} = 320\text{V}, V_{GS} = 0$			0.1	mA
Gate-source current	I_{GSS}	$V_{GS} = \pm 20\text{V}, V_{DS} = 0$			± 1	μA
Drain-source voltage	2SK867	$I_D = 1\text{mA}, V_{GS} = 0$	400			V
	2SK867A		450			
Gate threshold voltage	V_{th}	$V_{DS} = 25\text{V}, I_D = 1\text{mA}$	1		5	V
Drain-source ON resistance	$R_{DS(on)}$	$V_{GS} = 10\text{V}, I_D = 8\text{A}$		0.3	0.45	Ω
Forward transfer admittance	$ Y_{fs} $	$V_{DS} = 25\text{V}, I_D = 8\text{A}$	5.0	8.0		S
Input capacitance	C_{iss}	$V_{DS} = 20\text{V}, V_{GS} = 0, f = 1\text{MHz}$		1550		pF
Output capacitance	C_{oss}			300		pF
Reverse transfer capacitance	C_{rss}			145		pF
Turn-on time	t_{on}		$V_{GS} = 10\text{V}, I_D = 8\text{A}$		120	
Fall time	t_f	$V_{DD} = 150\text{V}, R_L = 19\Omega$		120		ns
Delay time	$t_d(\text{off})$			340		ns