

**SCHOTTKY BARRIER DIODES**  
**LEADLESS PACKAGE FOR SURFACE MOUNT**  
*Qualified per MIL-PRF-19500/444*

**DEVICES**

<b>1N5711UB</b>	<b>1N5711UBCA</b>	<b>1N5711UBCC</b>	<b>1N5711UBD</b>
<b>1N5712UB</b>	<b>1N5712UBCA</b>	<b>1N5712UBCC</b>	<b>1N5712UBD</b>

**QUALIFIED LEVELS**

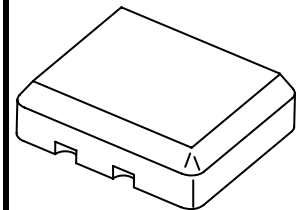
**JAN**  
**JANTX**  
**JANTXV**  
**JANS**

**MAXIMUM RATING AT 25°C**

Operating Temperature:	-65°C to +150°C		
Storage Temperature:	-65°C to +150°C		
Operating Current:	5711 types	:33mA dc @ T <sub>SP</sub> = +140°C	
	5712 types	:75mA dc @ T <sub>SP</sub> = +130°C	
Derating:	all types	:Derate to 0 (zero) mA dc @ +150°C	

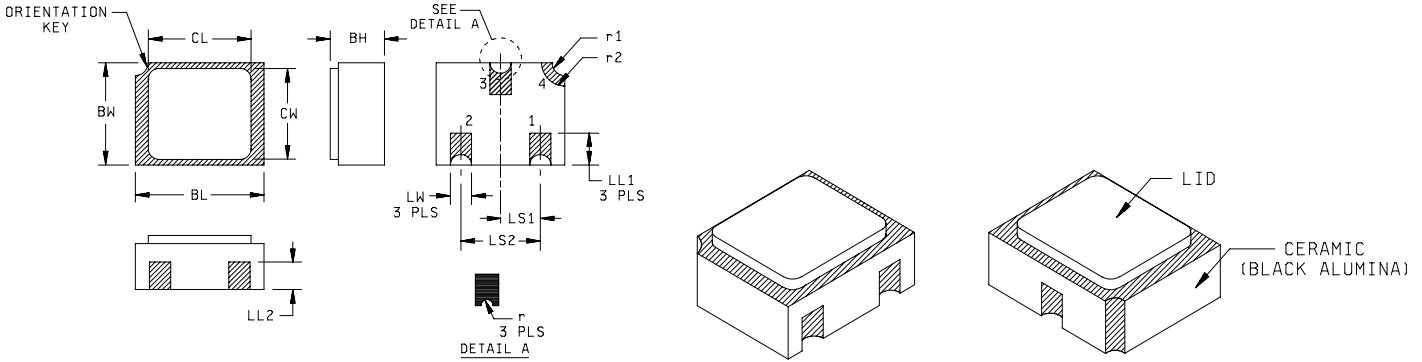
**ELECTRICAL CHARACTERISTICS (T<sub>A</sub> = 25°C, unless otherwise specified)**

TYPE NUMBER	MINIMUM BEAKDOWN VOLTAAGE	MAXIMUM FORWARD VOLTAGE	MAXIMUM FORWARD VOLTAGE	MAXIMUM REVERSE LEAKAGE CURRENT		MAXIMUM CAPACITANCE @ V <sub>R</sub> = 0 VOLTS f = 1.0MHz	ESDS CLASS
	V <sub>BR</sub> @ 10µA	V <sub>F</sub> @ 1mA	V <sub>F</sub> @ I <sub>F</sub>	I <sub>R</sub> @ V <sub>R</sub>		C <sub>T</sub>	
	VOLTS	VOLTS	VOLTS @ mA	nA	VOLTS	PICO FARADS	
1N5711	70	0.41	1.0 @ 15	200	50	2.0	1
1N5712	20	0.41	1.0 @ 35	150	16	2.0	1


**3 PIN**
**NOTE:**

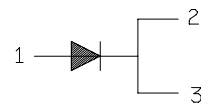
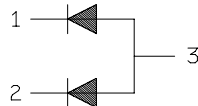
- Effective Minority Carrier Lifetime (τ) is 100 Pico Seconds

## PACKAGE DIMENSIONS



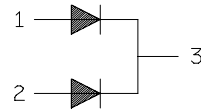
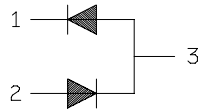
Symbol	Dimensions				Symbol	Dimensions			
	Inches		Millimeters			Inches		Millimeters	
	Min	Max	Min	Max		Min	Max	Min	Max
BH	.046	.056	1.17	1.42	LS <sub>1</sub>	.035	.040	0.89	1.02
BL	.115	.128	2.92	3.25	LS <sub>2</sub>	.071	.079	1.81	2.01
BW	.085	.108	2.16	2.74	LW	.016	.024	0.41	0.61
CL		.128		3.25	r		.008		0.20
CW		.108		2.74	r1		.012		0.31
LL1	.022	.038	0.56	0.96	r2		.022		0.56
LL2	.017	.035	0.43	0.89					

1N5711UBCA  
1N5712UBCA



1N5711UB  
1N5712UB

1N5711UBD  
1N5712UBD



1N5711UBCC  
1N5712UBCC

**NOTES:**

1. Dimensions are in inches.
2. Millimeters are given for general information only.
3. Hatched areas on package denote metallized areas.
4. Pad 4 = Shielding connected to the lid.
5. In accordance with ASME Y14.5M, diameters are equivalent to  $\Phi$ x symbology.

Physical dimensions, surface mount (UB version)