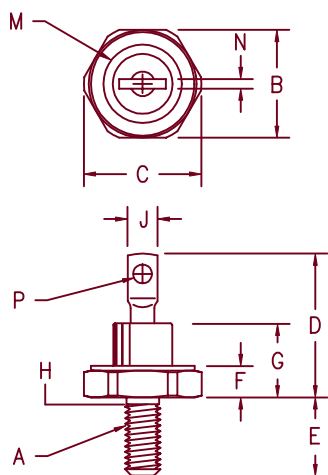


Military Silicon Power Rectifier

1N1124A–1N1128A, 1N3649, 1N3650



Notes:

1. 10–32 UNF3A
2. Full threads within 2 1/2 threads
3. Standard Polarity: Stud is Cathode
Reverse Polarity: Stud is Anode

Dim.	Inches		Millimeter		Notes
	Minimum	Maximum	Minimum	Maximum	
A	---	---	---	---	1
B	.424	.437	10.77	11.10	
C	---	.505	---	12.83	
D	---	.800	---	20.32	
E	.422	.453	10.72	11.51	
F	.075	.175	1.91	4.44	
G	---	.405	---	10.29	
H	.163	.189	4.15	4.80	2
J	.100	.140	2.54	3.56	
M	---	.350	---	8.89	Dia
N	.020	.065	.510	1.65	
P	.070	.100	1.78	2.54	Dia

D0203AA (D04)

Standard	Microsemi Catalog Number	Reverse	Peak Reverse Voltage
1N1124A	1N1124A	1N1124RA	200V
1N1126A	1N1126A	1N1126RA	400V
1N1128A	1N1128A	1N1128RA	600V
1N3649	1N3649	1N3649R	800V
1N3650	1N3650	1N3650R	1000V

- Available in JAN
- MIL-PRF-19500/260
- Glass passivated die
- Glass to metal seal construction
- 25 Amps surge rating
- V_{RRM} to 1000 volts

Electrical Characteristics		
Average forward current	IF(AV) 3.3 Amps	TC = 150°C, half sine wave, RθJC = 2.0°C/W 8.3ms, half sine, TC = 150°C IFM = 10A: TJ = 25°C* VRRM, TJ = 25°C VRRM, TJ = 150°C
Maximum surge current	IFSM 25 Amps	
Max peak forward voltage	VFM 2.2 Volts	
Max peak reverse current	IRM 5 μA	
Max peak reverse current	IRM 200 μA	
Max Recommended Operating Frequency	10kHz	
*Pulse test: Pulse width 300 μsec. Duty cycle 2%		

Thermal and Mechanical Characteristics		
Storage temperature range	TSTG	-65°C to 200°C
Operating case temp range	TC	-65°C to 150°C
Maximum thermal resistance	RθJC	2.0°C/W Junction to Case
Mounting torque		15 inch pounds maximum
Weight		.16 ounces (5.0 grams) typical

1-12-04 Rev. 1

1N1124A-1N1128A, 1N3649, 1N3650

Figure 1
Typical Forward Characteristics

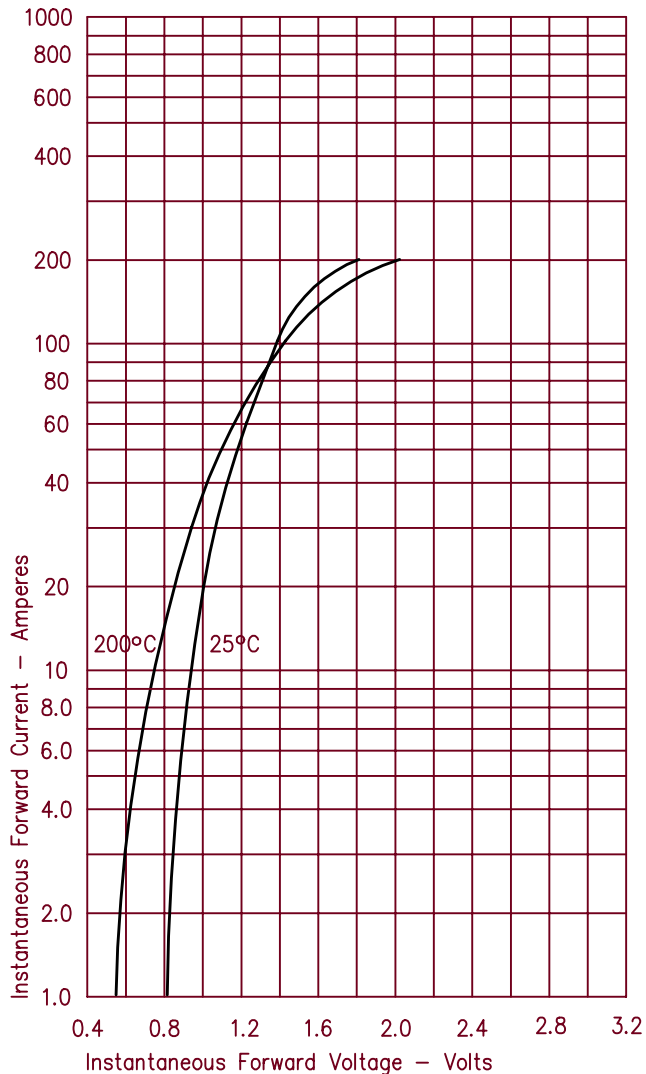


Figure 2
Typical Reverse Characteristics

