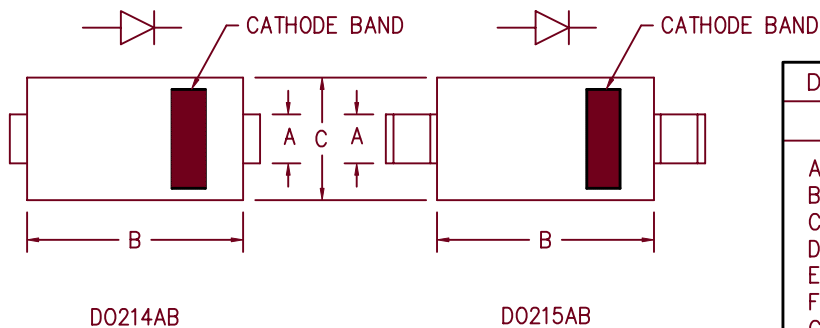
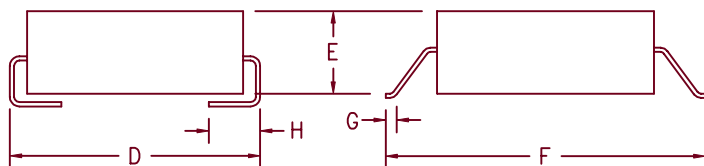


5 Amp Schottky Rectifier LSM535 — LSM545



Dim.	Inches		Millimeter		Notes
	Minimum	Maximum	Minimum	Maximum	
A	.117	.123	2.97	3.12	
B	.260	.280	6.60	7.11	
C	.220	.245	5.59	6.22	
D	.307	.322	7.80	8.18	
E	.075	.095	1.91	2.41	
F	.380	.400	9.65	10.16	
G	.025	.040	.640	1.02	
H	.030	.060	.760	1.52	



Microsemi Catalog Number	Industry Part Number	Working Peak Reverse Voltage	Repetitive Peak Reverse Voltage
LSM535*	SK52L, B520C SK53L, B530C	35V	35V
LSM540*	SK54L, B540C	40V	40V
LSM545*	SK545L	45V	45V

* Add Suffix J for J Lead or G for Gull Wing Lead Configuration

- Schottky Barrier Rectifier
- Guard Ring for Reverse Protection
- Low power loss, High efficiency
- V_{RRM} 35 to 45 Volts
- Reverse Energy Tested

Electrical Characteristics

Average forward current	$I_F(AV)$ 5 Amps	Square wave
Maximum surge current	I_{FSM} 250 Amps	8.3ms, half sine, $T_J = 150^\circ C$
Max peak forward voltage	V_{FM} .42 Volts	$I_{FM} = 5A; T_J = 150^\circ C^*$
Max peak forward voltage	V_{FM} .52 Volts	$I_{FM} = 5A; T_J = 25^\circ C^*$
Max peak reverse current	I_{RM} 500 mA	$V_{RRM}, T_J = 125^\circ C^*$
Max peak reverse current	I_{RM} 2 mA	$V_{RRM}, T_J = 25^\circ C$
Typical junction capacitance	C_J 380 pF	$V_R = 5.0V, T_J = 25^\circ C$

*Pulse test: Pulse width 300 μ sec, Duty cycle 2%

Thermal and Mechanical Characteristics

Storage temperature range	T_{STG}	$-55^\circ C$ to $175^\circ C$
Operating junction temp range	T_J	$-55^\circ C$ to $150^\circ C$
Maximum thermal resistance	$R_{\theta JL}$	$22^\circ C$ Junction to lead
Weight		.008 ounces (.22 grams) typical

1-10-02 Rev. 3

LSM535 – LSM545

Figure 1
Typical Forward Characteristics

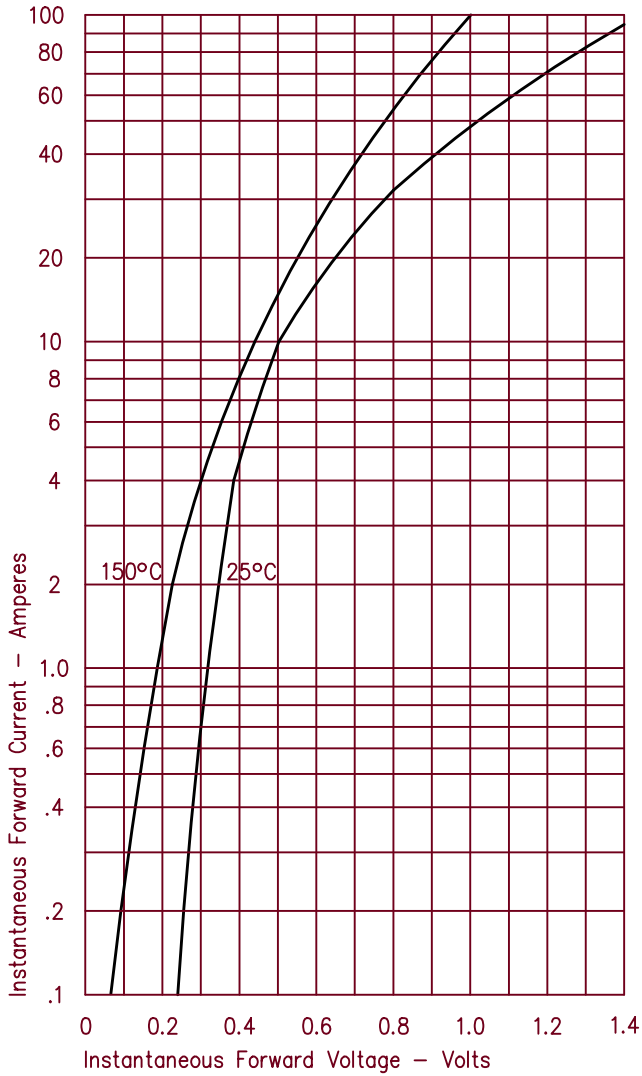


Figure 3
Typical Junction Capacitance

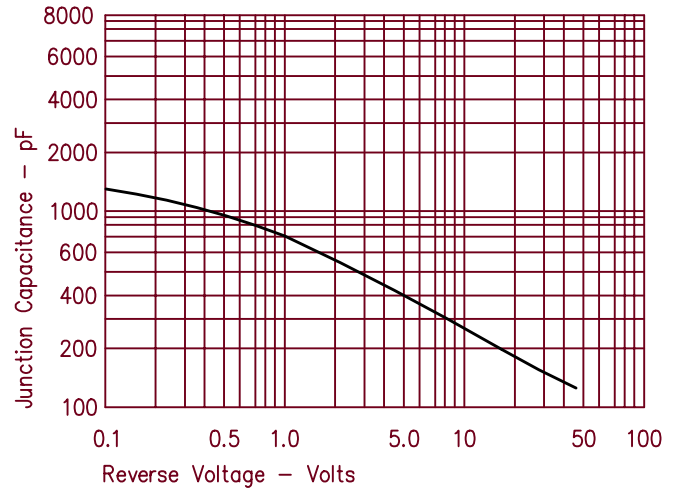


Figure 2
Typical Reverse Characteristics

