



General Description

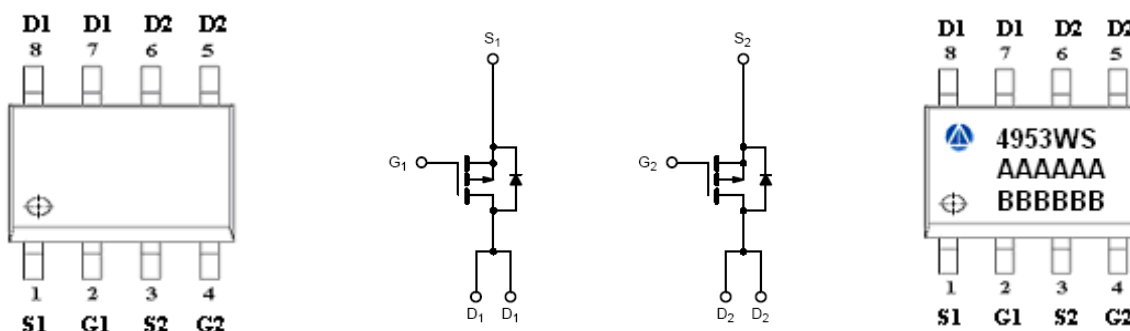
AFP4953WS, P-Channel enhancement mode MOSFET, uses Advanced Trench Technology to provide excellent $R_{DS(ON)}$, low gate charge.

These devices are particularly suited for low voltage power management, and low in-line power loss are needed in commercial industrial surface mount applications.

Features

- -30V/-5.4A, $R_{DS(ON)}=60m\Omega@V_{GS}=10V$
- -30V/-4.2A, $R_{DS(ON)}=80m\Omega@V_{GS}=4.5V$
- Super high density cell design for extremely low $R_{DS(ON)}$
- SOP-8P package design

Pin Description (SOP-8P)



Application

- LED Display
- Load Switch
- CCFL Inverter
- Power Management in Notebook Computer

Pin Define

| Pin | Symbol | Description |
|-----|--------|-------------|
| 1 | S1 | Source 1 |
| 2 | G1 | Gate 1 |
| 3 | S2 | Source 2 |
| 4 | G2 | Gate 2 |
| 5 | D2 | Drain 2 |
| 6 | D2 | Drain 2 |
| 7 | D1 | Drain 1 |
| 8 | D1 | Drain 1 |

Ordering Information

| Part Ordering No. | Part Marking | Package | Unit | Quantity |
|-------------------|--------------|---------|-------------|----------|
| AFP4953WSS8RG | 4953WS | SOP-8P | Tape & Reel | 2500 EA |

※ A Lot code

※ B Date code

※ AFP4953WSS8RG : 13" Tape & Reel ; Pb- Free ; Halogen- Free



Absolute Maximum Ratings

(T_A=25°C Unless otherwise noted)

| Parameter | Symbol | Typical | Unit |
|---|------------------|----------------------|------|
| Drain-Source Voltage | V _{DSS} | -30 | V |
| Gate –Source Voltage | V _{GSS} | ±20 | V |
| Continuous Drain Current(T _J =150°C) | I _D | T _A =25°C | -5.4 |
| | | T _A =70°C | -4.2 |
| Pulsed Drain Current | I _{DM} | -30 | A |
| Continuous Source Current(Diode Conduction) | I _S | -1.7 | A |
| Power Dissipation | P _D | T _A =25°C | 2.8 |
| | | T _A =70°C | 1.8 |
| Operating Junction Temperature | T _J | 150 | °C |
| Storage Temperature Range | T _{STG} | -55/150 | °C |
| Thermal Resistance-Junction to Ambient | R _{θJA} | 62.5 | °C/W |

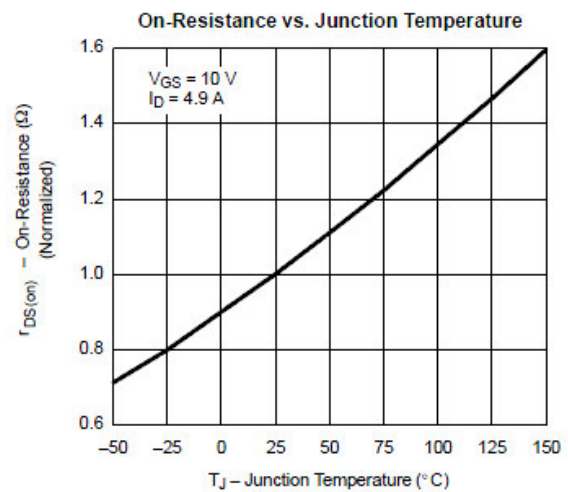
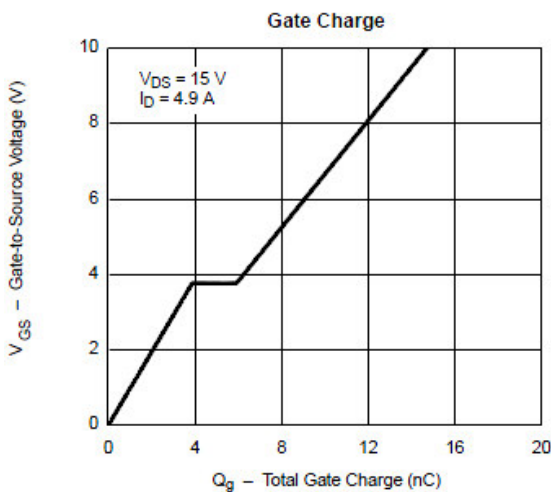
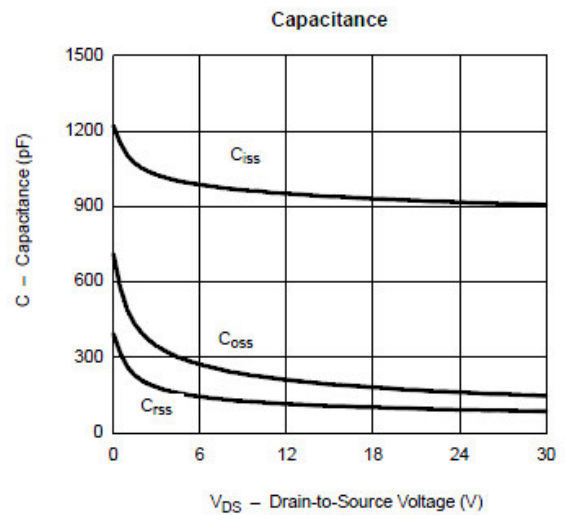
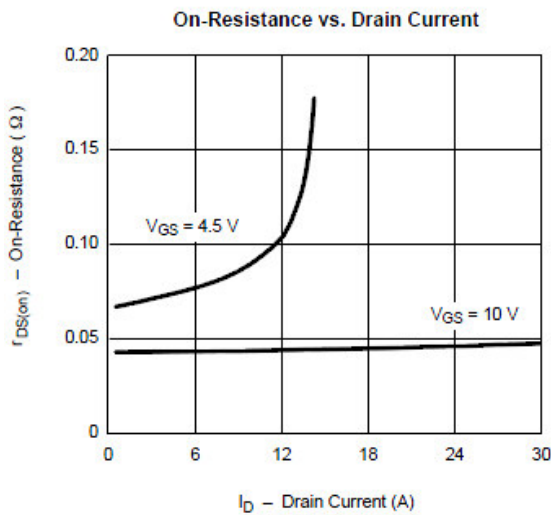
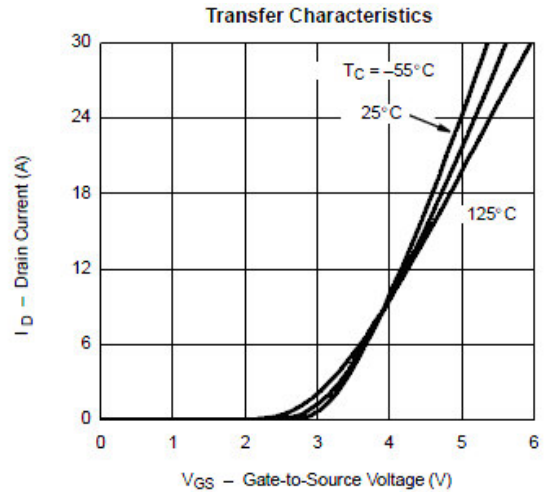
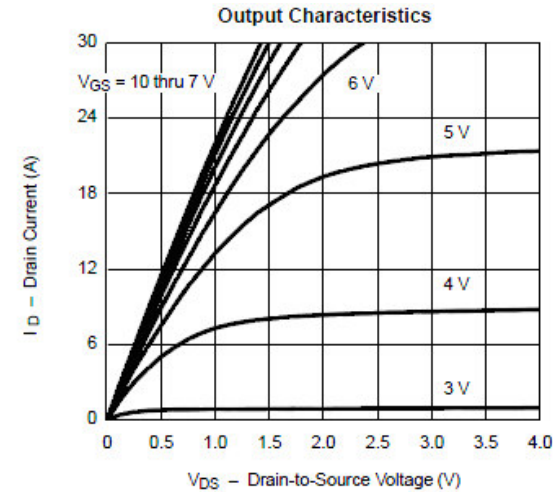
Electrical Characteristics

(T_A=25°C Unless otherwise noted)

| Parameter | Symbol | Conditions | Min. | Typ | Max. | Unit |
|---------------------------------|----------------------|--|------|-----|------|------|
| Static | | | | | | |
| Drain-Source Breakdown Voltage | V _{(BR)DSS} | V _{GS} =0V, I _D =-250uA | -30 | | | V |
| Gate Threshold Voltage | V _{GS(th)} | V _{DS} =V _{GS} , I _D =-250uA | -1.0 | | -2.5 | V |
| Gate Leakage Current | I _{GSS} | V _{DS} =0V, V _{GS} =±20V | | | ±100 | nA |
| Zero Gate Voltage Drain Current | I _{DSS} | V _{DS} =-24V, V _{GS} =0V | | | 1 | uA |
| | | V _{DS} =-24V, V _{GS} =0V T _J =85°C | | | -30 | |
| On-State Drain Current | I _{D(on)} | V _{DS} ≥ -5V, V _{GS} =-10V | 25 | | | A |
| Drain-Source On-Resistance | R _{DS(on)} | V _{GS} =-10V, I _D =-5.4A | | 50 | 60 | mΩ |
| | | V _{GS} =-4.5V, I _D =-4.2A | | 70 | 80 | |
| Forward Transconductance | g _{FS} | V _{DS} =-10V, I _D =-4.9A | | 10 | | S |
| Diode Forward Voltage | V _{SD} | I _S =-1.7A, V _{GS} =0V | | 0.8 | 1.3 | V |
| Dynamic | | | | | | |
| Total Gate Charge | Q _g | V _{DS} =-15V, V _{GS} =-10V I _D ≡-5.0A | | 10 | 18 | nC |
| Gate-Source Charge | Q _{gs} | | | 1.6 | | |
| Gate-Drain Charge | Q _{gd} | | | 3.0 | | |
| Input Capacitance | C _{iSS} | V _{DS} =-15V, V _{GS} =0V f=1MHz | | 500 | | pF |
| Output Capacitance | C _{oss} | | | 100 | | |
| Reverse Transfer Capacitance | C _{rss} | | | 55 | | |
| Turn-On Time | t _{d(on)} | V _{DD} =-15V, R _L =15Ω I _D ≡-1.0A, V _{GEN} =10V R _G =6Ω | | 8 | 18 | ns |
| | t _r | | | 8 | 18 | |
| Turn-Off Time | t _{d(off)} | | | 25 | 50 | |
| | t _f | | | 25 | 35 | |

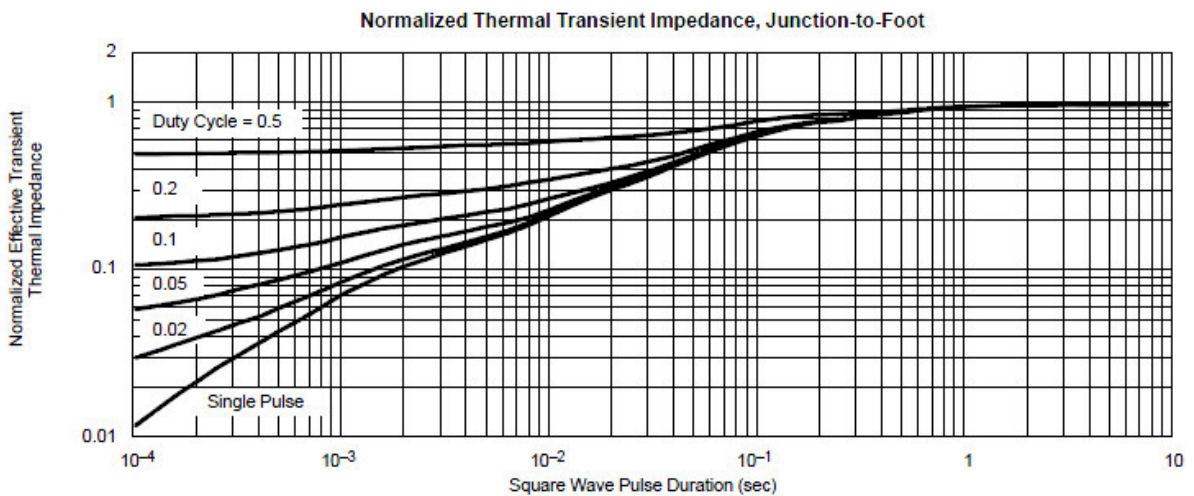
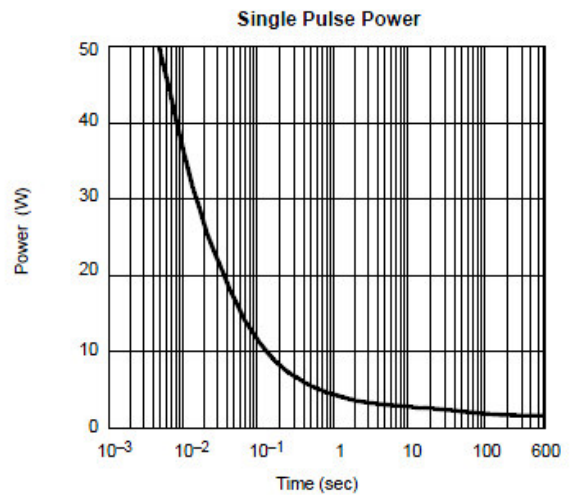
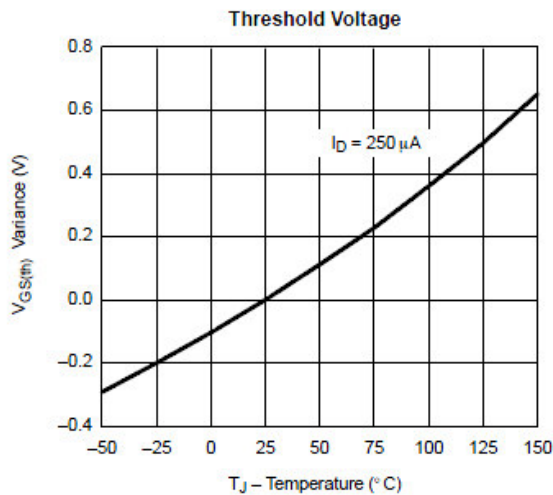
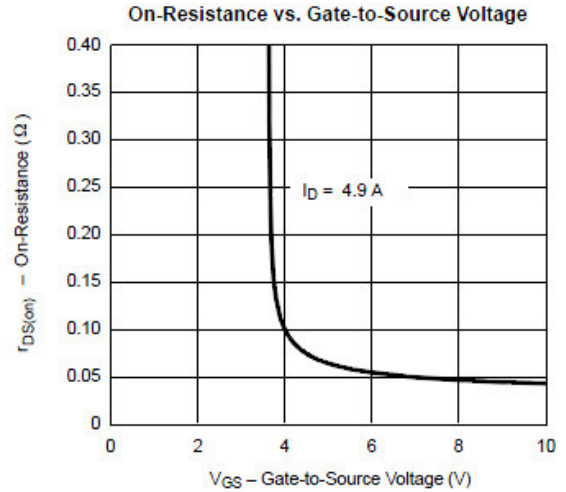
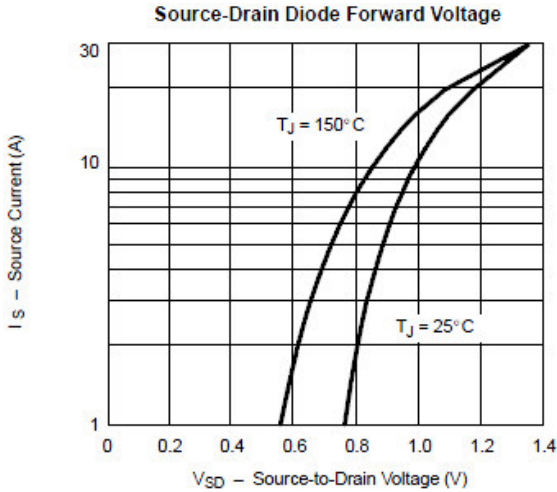


Typical Characteristics





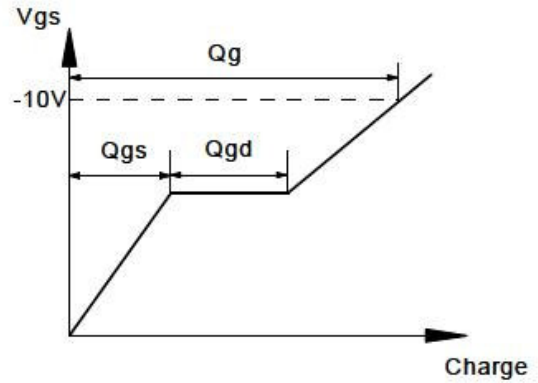
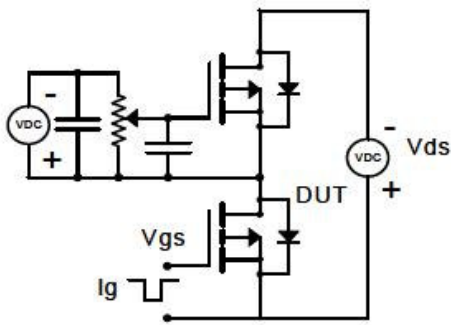
Typical Characteristics



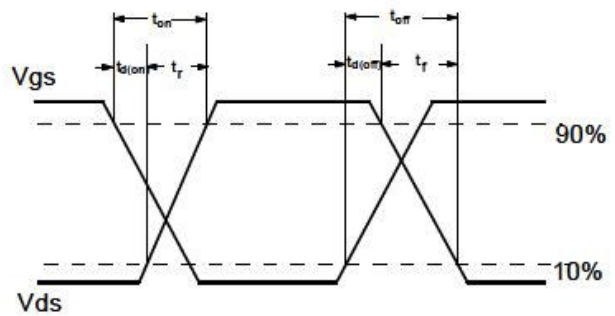
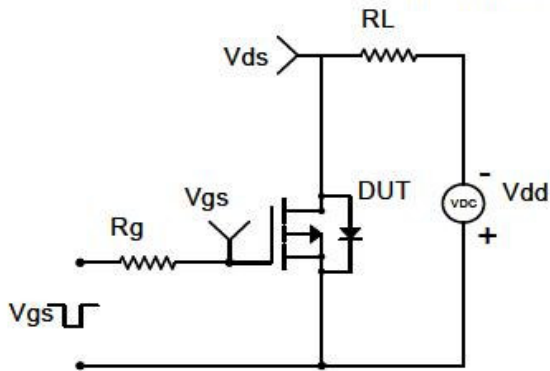


Typical Characteristics

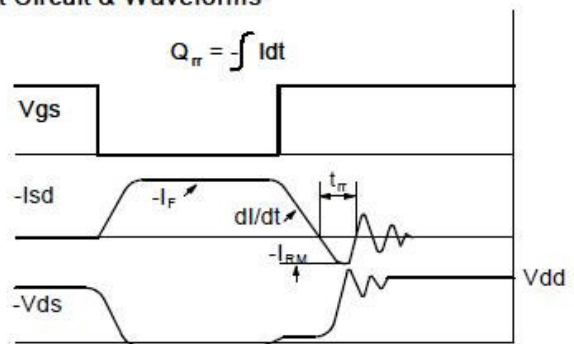
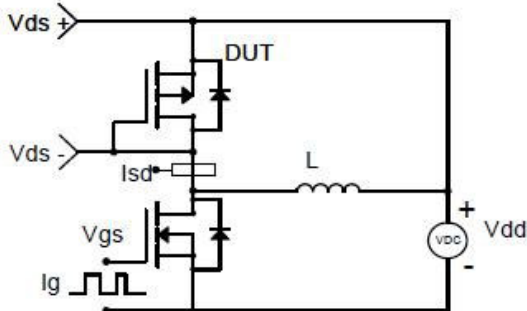
Gate Charge Test Circuit & Waveform



Resistive Switching Test Circuit & Waveforms

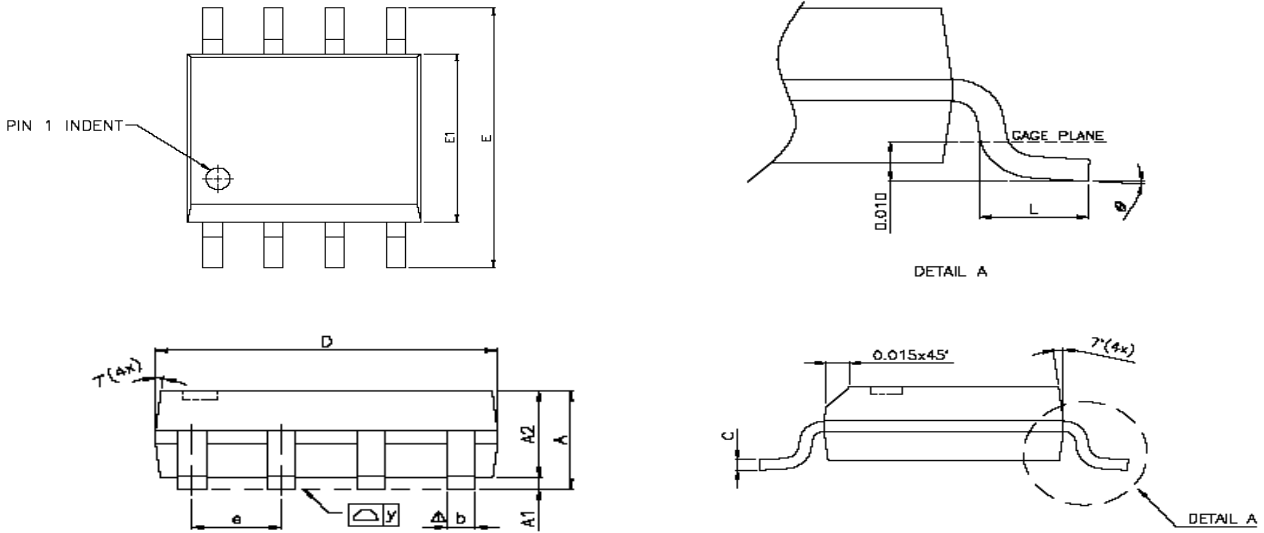


Diode Recovery Test Circuit & Waveforms





Package Information (SOP-8P)



| SYMBOLS | DIMENSIONS IN MILLIMETERS | | | DIMENSIONS IN INCHES | | |
|------------|---------------------------|------|-------|----------------------|-------|--------|
| | MIN | NOM | MAX | MIN | NOM | MAX |
| A | 1.47 | 1.60 | 1.73 | 0.058 | 0.063 | 0.068 |
| A1 | 0.10 | — | 0.25 | 0.004 | — | 0.010 |
| A2 | — | 1.45 | — | — | 0.057 | — |
| b | 0.33 | 0.41 | 0.51 | 0.013 | 0.016 | 0.020 |
| C | 0.19 | 0.20 | 0.25 | 0.0075 | 0.008 | 0.0098 |
| D | 4.80 | 4.85 | 4.95 | 0.189 | 0.191 | 0.195 |
| E | 5.80 | 6.00 | 6.20 | 0.228 | 0.236 | 0.244 |
| E1 | 3.80 | 3.90 | 4.00 | 0.150 | 0.154 | 0.157 |
| e | — | 1.27 | — | — | 0.050 | — |
| L | 0.38 | 0.71 | 1.27 | 0.015 | 0.028 | 0.050 |
| Δ y | — | — | 0.076 | — | — | 0.003 |
| ϕ | 0° | — | 8° | 0° | — | 8° |

©2010 Alfa-MOS Technology Corp.
 2F, No.80, Sec.1, Cheng Kung Rd., Nan Kang Dist., Taipei City 115, Taiwan (R.O.C.)
 Tel : 886 2) 2651 3928
 Fax : 886 2) 2786 8483
 ©http://www.alfa-mos.com