



## General Description

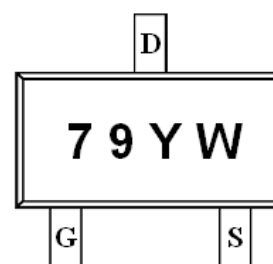
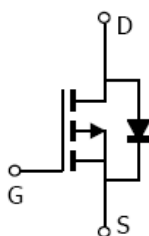
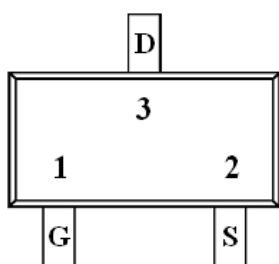
AFP2379, P-Channel enhancement mode MOSFET, uses Advanced Trench Technology to provide excellent  $R_{DS(ON)}$ , low gate charge.

These devices are particularly suited for low voltage power management, and low in-line power loss are needed in commercial industrial surface mount applications.

## Features

- -60V/-3.6A,  $R_{DS(ON)}=135m\Omega@V_{GS}=-10V$
- -60V/-2.6A,  $R_{DS(ON)}=150m\Omega@V_{GS}=-4.5V$
- Super high density cell design for extremely low  $R_{DS(ON)}$
- Exceptional on-resistance and maximum DC current capability
- SOT-23-3L package design

## Pin Description ( SOT-23-3L )



## Application

- Power Management in Note book
- LED Display
- DC-DC System
- LCD Panel

## Pin Define

| Pin | Symbol | Description |
|-----|--------|-------------|
| 1   | G      | Gate        |
| 2   | S      | Source      |
| 3   | D      | Drain       |

## Ordering Information

| Part Ordering No. | Part Marking | Package   | Unit        | Quantity |
|-------------------|--------------|-----------|-------------|----------|
| AFP2379S23RG      | 79YW         | SOT-23-3L | Tape & Reel | 3000 EA  |

- ※ 79 parts code
- ※ Y year code ( 0 ~ 9 )
- ※ W week code ( A ~ Z = 1 ~ 26 / a ~ z = 27 ~ 52 )
- ※ AFP2379S23RG : 7" Tape & Reel ; Pb- Free ; Halogen- Free



**Absolute Maximum Ratings**

(T<sub>A</sub>=25°C Unless otherwise noted)

| Parameter                                       | Symbol           | Typical              | Unit |
|---|------------------|----------------------|------|
| Drain-Source Voltage                            | V <sub>DSS</sub> | -60                  | V    |
| Gate –Source Voltage                            | V <sub>GSS</sub> | ±20                  | V    |
| Continuous Drain Current(T <sub>J</sub> =150°C) | I <sub>D</sub>   | T <sub>A</sub> =25°C | -3.6 |
|   |                  | T <sub>A</sub> =70°C | -2.6 |
| Pulsed Drain Current                            | I <sub>DM</sub>  | -15                  | A    |
| Continuous Source Current(Diode Conduction)     | I <sub>S</sub>   | -1.5                 | A    |
| Power Dissipation                               | P <sub>D</sub>   | T <sub>A</sub> =25°C | 1.25 |
|   |                  | T <sub>A</sub> =70°C | 0.8  |
| Operating Junction Temperature                  | T <sub>J</sub>   | 150                  | °C   |
| Storage Temperature Range                       | T <sub>STG</sub> | -55/150              | °C   |
| Thermal Resistance-Junction to Ambient          | R <sub>θJA</sub> | 120                  | °C/W |

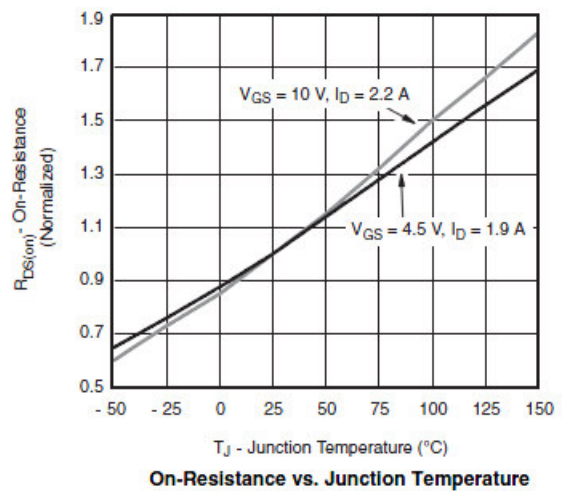
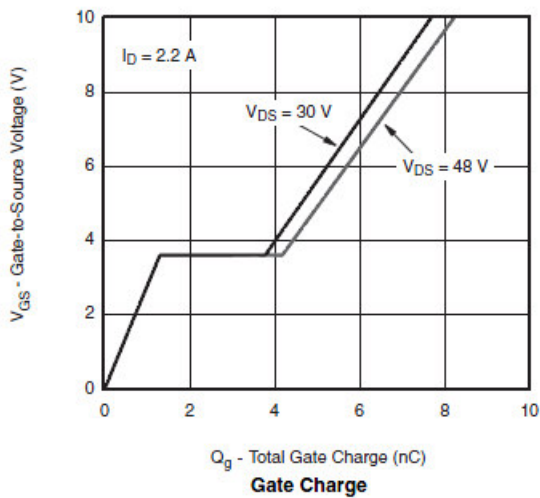
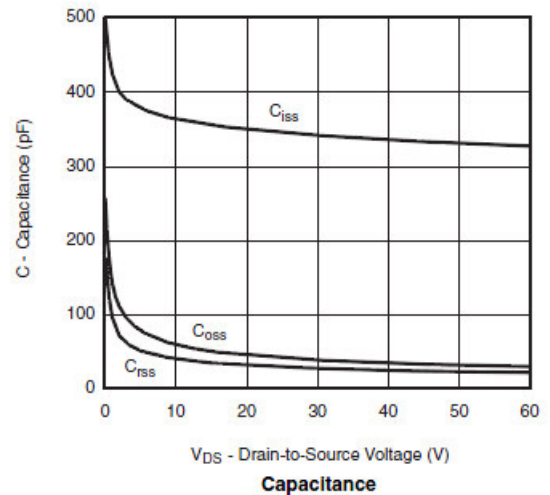
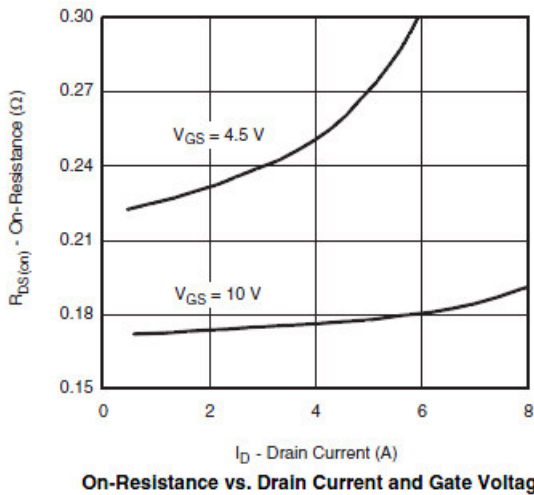
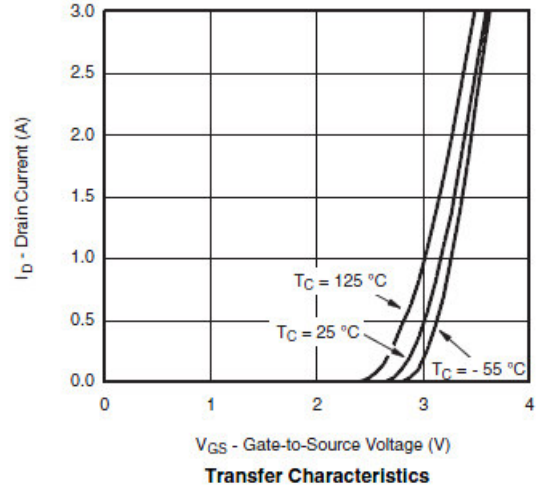
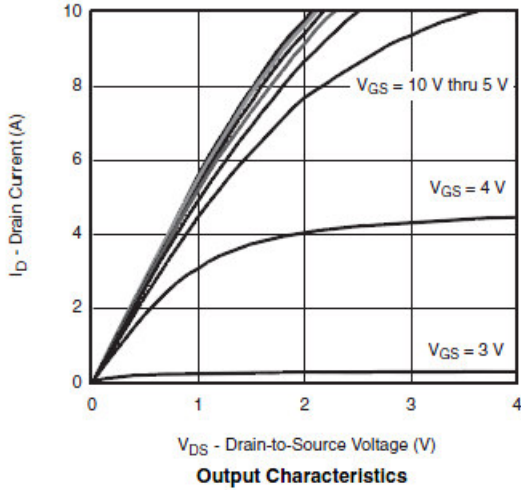
**Electrical Characteristics**

(T<sub>A</sub>=25°C Unless otherwise noted)

| Parameter                       | Symbol               | Conditions  | Min. | Typ   | Max. | Unit |
|---------------------------------|----------------------|---|------|-------|------|------|
| <b>Static</b>                   |                      |   |      |       |      |      |
| Drain-Source Breakdown Voltage  | V <sub>(BR)DSS</sub> | V <sub>GS</sub> =0V, I <sub>D</sub> =-250uA   | -60  |       |      | V    |
| Gate Threshold Voltage          | V <sub>GS(th)</sub>  | V <sub>DS</sub> =V <sub>GS</sub> , I <sub>D</sub> =-250uA   | -1.0 |       | -2.0 | V    |
| Gate Leakage Current            | I <sub>GSS</sub>     | V <sub>DS</sub> =0V, V <sub>GS</sub> =±12V  |      |       | ±100 | nA   |
| Zero Gate Voltage Drain Current | I <sub>DSS</sub>     | V <sub>DS</sub> =-48V, V <sub>GS</sub> =0V  |      |       | -1   | uA   |
|                                 |                      | V <sub>DS</sub> =-48V, V <sub>GS</sub> =0V<br>T <sub>J</sub> =85°C  |      |       | -30  |      |
| On-State Drain Current          | I <sub>D(on)</sub>   | V <sub>DS</sub> ≤ -5V, V <sub>GS</sub> =-10V  | -6   |       |      | A    |
| Drain-Source On-Resistance      | R <sub>DS(on)</sub>  | V <sub>GS</sub> =-10V, I <sub>D</sub> =-3.6A  |      | 120   | 135  | mΩ   |
|                                 |                      | V <sub>GS</sub> =-4.5V, I <sub>D</sub> =-2.6A   |      | 128   | 150  |      |
| Forward Transconductance        | g <sub>FS</sub>      | V <sub>DS</sub> =-15V, I <sub>D</sub> =-2.2A  |      | 5     |      | S    |
| Diode Forward Voltage           | V <sub>SD</sub>      | I <sub>S</sub> =-1.5A, V <sub>GS</sub> =0V  |      | -0.75 | -1.3 | V    |
| <b>Dynamic</b>                  |                      |   |      |       |      |      |
| Total Gate Charge               | Q <sub>g</sub>       | V <sub>DS</sub> =-30V, V <sub>GS</sub> =-4.5V<br>I <sub>D</sub> ≡-2.2A  |      | 5     | 10   | nC   |
| Gate-Source Charge              | Q <sub>gs</sub>      |   |      | 1.5   |      |      |
| Gate-Drain Charge               | Q <sub>gd</sub>      |   |      | 2.5   |      |      |
| Input Capacitance               | C <sub>iss</sub>     | V <sub>DS</sub> =-30V, V <sub>GS</sub> =0V<br>f=1MHz  |      | 410   |      | pF   |
| Output Capacitance              | C <sub>oss</sub>     |   |      | 45    |      |      |
| Reverse Transfer Capacitance    | C <sub>rss</sub>     |   |      | 20    |      |      |
| Turn-On Time                    | t <sub>d(on)</sub>   | V <sub>DD</sub> =-30V, R <sub>L</sub> =16.7Ω<br>I <sub>D</sub> ≡-1.8A, V <sub>GEN</sub> =-10V<br>R <sub>G</sub> =1Ω |      | 5     | 10   | ns   |
|                                 | t <sub>r</sub>       |   |      | 15    | 25   |      |
| Turn-Off Time                   | t <sub>d(off)</sub>  |   |      | 20    | 35   |      |
|                                 | t <sub>f</sub>       |   |      | 10    | 20   |      |

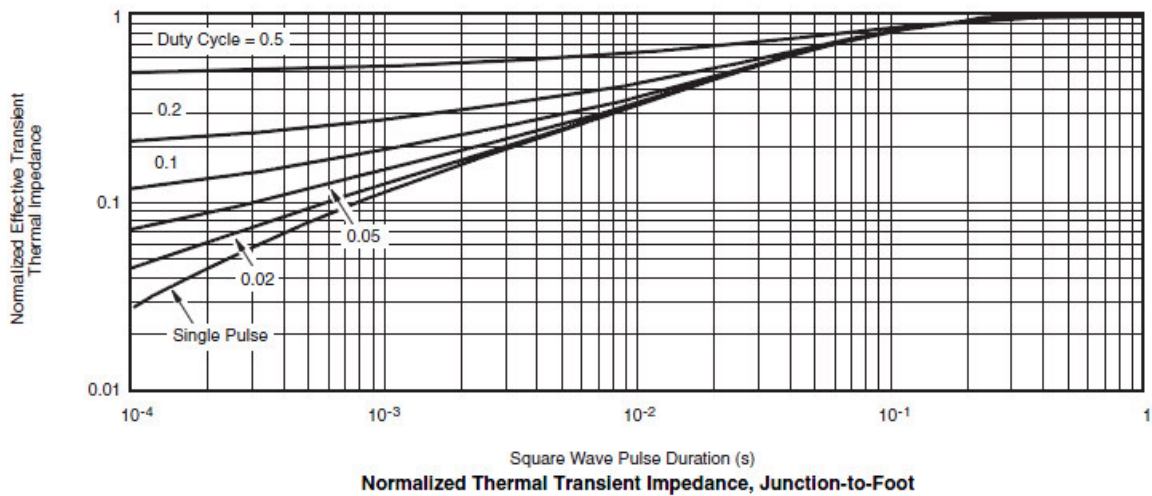
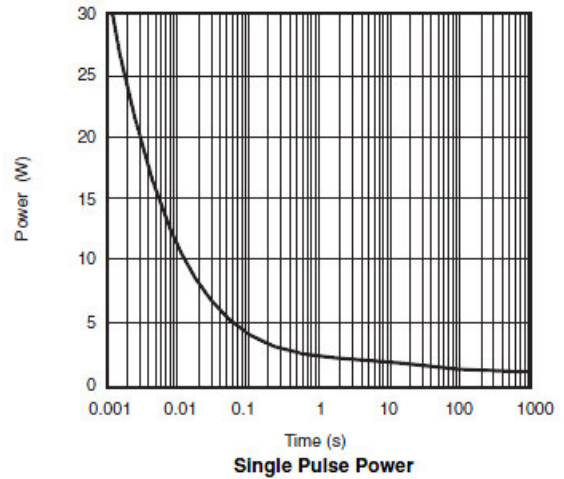
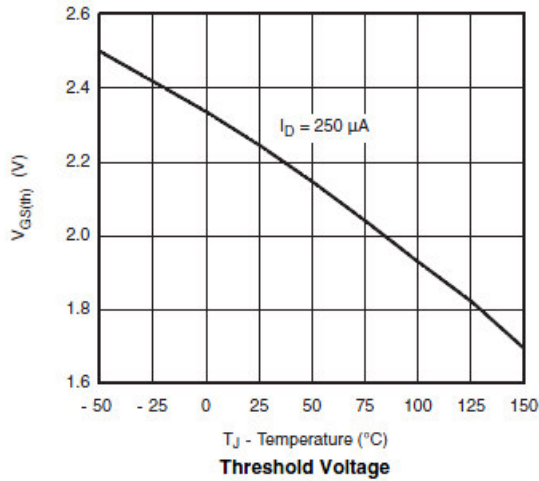
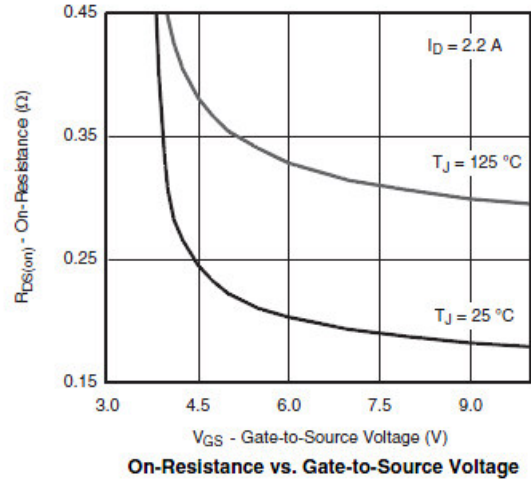
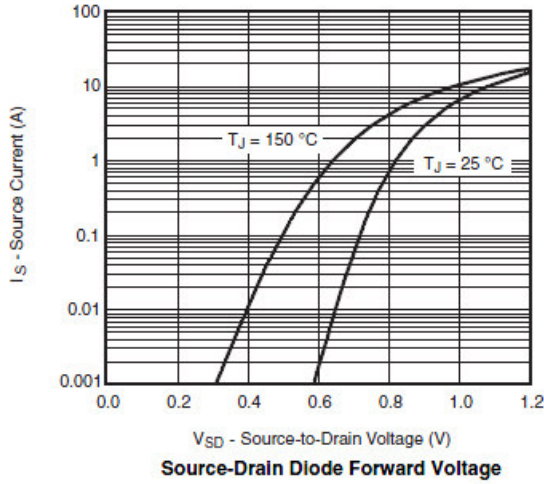


## Typical Characteristics





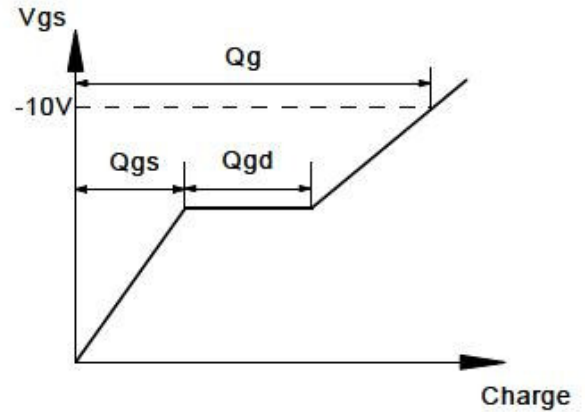
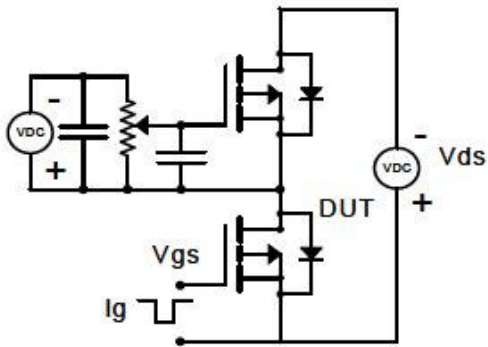
## Typical Characteristics



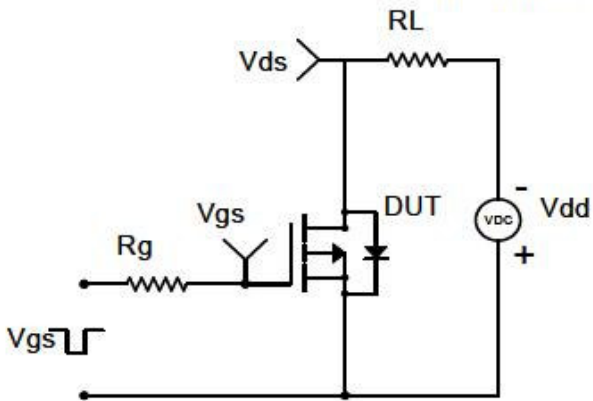


## Typical Characteristics

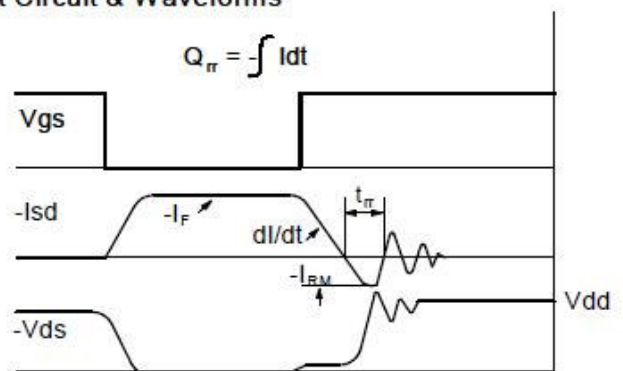
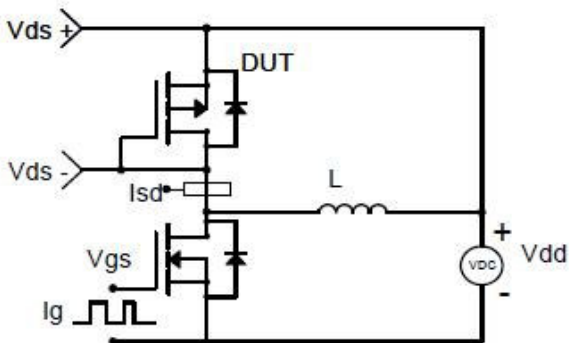
### Gate Charge Test Circuit & Waveform



### Resistive Switching Test Circuit & Waveforms

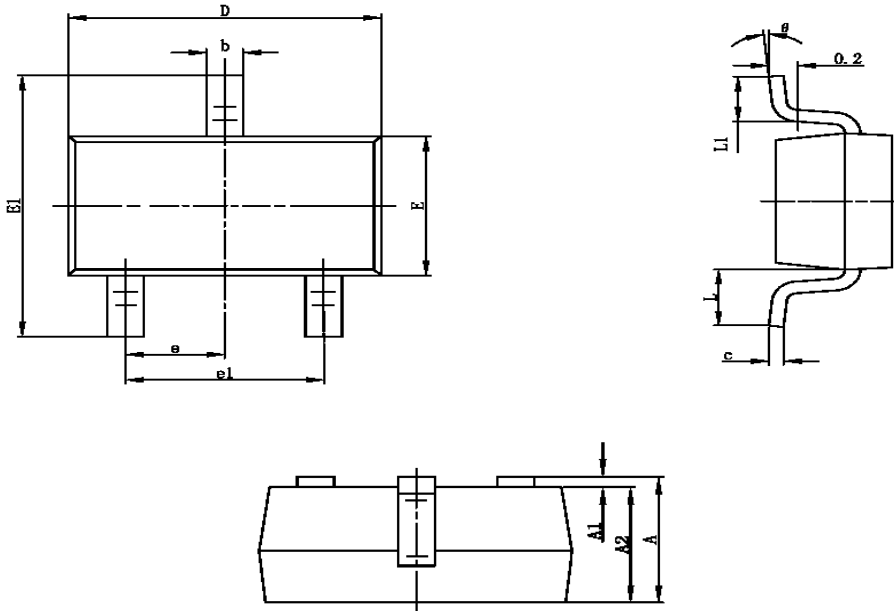


### Diode Recovery Test Circuit & Waveforms





**Package Information ( SOT-23-3L )**



| Symbol | Dimensions In Millimeters |       | Dimensions In Inches |       |
|--------|---------------------------|-------|----------------------|-------|
|        | Min                       | Max   | Min                  | Max   |
| A      | 1.050                     | 1.250 | 0.041                | 0.049 |
| A1     | 0.000                     | 0.100 | 0.000                | 0.004 |
| A2     | 1.050                     | 1.150 | 0.041                | 0.045 |
| b      | 0.300                     | 0.400 | 0.012                | 0.016 |
| c      | 0.100                     | 0.200 | 0.004                | 0.008 |
| D      | 2.820                     | 3.020 | 0.111                | 0.119 |
| E      | 1.500                     | 1.700 | 0.059                | 0.067 |
| E1     | 2.650                     | 2.950 | 0.104                | 0.116 |
| e      | 0.950TYP                  |       | 0.037TYP             |       |
| e1     | 1.800                     | 2.000 | 0.071                | 0.079 |
| L      | 0.700REF                  |       | 0.028REF             |       |
| L1     | 0.300                     | 0.600 | 0.012                | 0.024 |
| θ      | 0°                        | 8°    | 0°                   | 8°    |

©2010 Alfa-MOS Technology Corp.  
 2F, No.80, Sec.1, Cheng Kung Rd., Nan Kang Dist., Taipei City 115, Taiwan (R.O.C.)  
 Tel : 886 2) 2651 3928  
 Fax : 886 2) 2786 8483  
 ©http://www.alfa-mos.com