

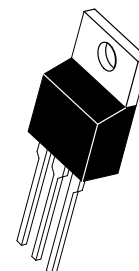
NPN Silicon High-Voltage Transistor

... useful for general-purpose, high voltage applications requiring high f_T .

- Collector-Emitter Sustaining Voltage —
 $V_{CEO(sus)} = 350 \text{ Vdc (Min) @ } I_C = 2.5 \text{ mAdc}$
- DC Current Gain —
 $h_{FE} = 40 \text{ (Min) @ } I_C = 100 \text{ mAdc}$ — MJE2361T
- Current-Gain-Bandwidth Product —
 $f_T = 10 \text{ MHz (Typ) @ } I_C = 50 \text{ mAdc}$

MJE2360T
MJE2361T

0.5 AMPERE
POWER TRANSISTORS
NPN SILICON
350 VOLTS
30 WATTS



CASE 221A-06
TO-220AB

MAXIMUM RATINGS

Rating	Symbol	Value	Unit
Collector-Emitter Voltage	V_{CEO}	350	Vdc
Collector-Base Voltage	V_{CB}	375	Vdc
Emitter-Base Voltage	V_{EB}	6.0	Vdc
Collector Current — Continuous	I_C	0.5	Adc
Base Current	I_B	0.25	Adc
Total Power Dissipation @ $T_C = 25^\circ\text{C}$ Derate above 25°C	P_D	30 0.24	Watts W/ $^\circ\text{C}$
Operating and Storage Junction Temperature Range	T_J, T_{stg}	-65 to +150	$^\circ\text{C}$

THERMAL CHARACTERISTICS

Characteristic	Symbol	Max	Unit
Thermal Resistance, Junction to Case	θ_{JC}	4.167	$^\circ\text{C/W}$

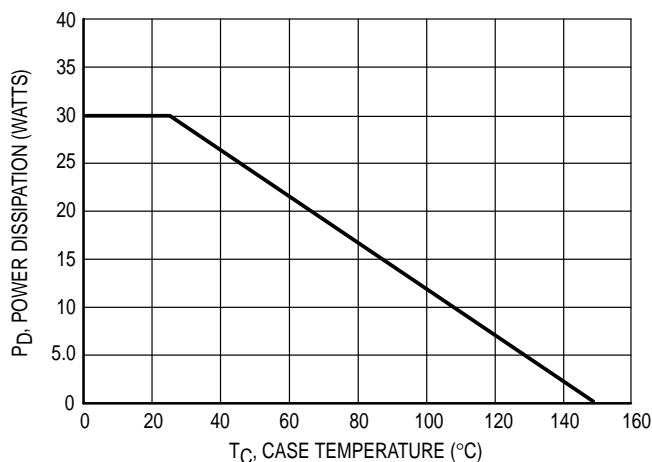


Figure 1. Power-Temperature Derating Curve

MJE2360T MJE2361T

ELECTRICAL CHARACTERISTICS (T_C = 25°C unless otherwise noted)

Characteristic	Symbol	Min	Typ	Max	Unit
OFF CHARACTERISTICS					
Collector–Emitter Sustaining Voltage ⁽¹⁾ (I _C = 2.5 mA _{dc} , I _B = 0)	V _{CEO(sus)}	350	—	—	V _{dc}
Collector Cutoff Current (V _{CE} = 250 V _{dc} , I _B = 0)	I _{CEO}	—	—	0.25	mA _{dc}
Collector Cutoff Current (V _{CE} = 375 V _{dc} , V _{EB(off)} = 1.5 V _{dc})	I _{CEX}	—	—	0.5	mA _{dc}
Collector Cutoff Current (V _{CB} = 375 V _{dc} , I _E = 0)	I _{CBO}	—	—	0.1	mA _{dc}
Emitter Cutoff Current (V _{BE} = 5.0 V _{dc} , I _C = 0)	I _{EBO}	—	—	0.1	mA _{dc}

ON CHARACTERISTICS (1)

DC Current Gain (I _C = 50 mA _{dc} , V _{CE} = 10 V _{dc})	MJE2360T MJE2361T MJE2360T MJE2361T	h _{FE}	25	—	200	—
(I _C = 100 mA _{dc} , V _{CE} = 10 V _{dc})			50	—	250	
			15	—	—	
			40	—	—	
Collector–Emitter Saturation Voltage (I _C = 100 mA _{dc} , I _B = 10 mA _{dc})		V _{CE(sat)}	—	—	1.5	V _{dc}
Base–Emitter On Voltage (I _C = 100 mA _{dc} , V _{CE} = 10 V _{dc})		V _{BE(on)}	—	—	1.0	V _{dc}

DYNAMIC CHARACTERISTICS

Current–Gain — Bandwidth Product (I _C = 50 mA _{dc} , V _{CE} = 10 V _{dc} , f = 1.0 MHz)	f _T	—	10	—	MHz
Output Capacitance (V _{CB} = 100 V _{dc} , I _E = 0, f = 100 kHz)	C _{ob}	—	20	—	pF

(1) Pulse Test: Pulse Width ≤ 300 μs, Duty Cycle ≤ 2.0%.

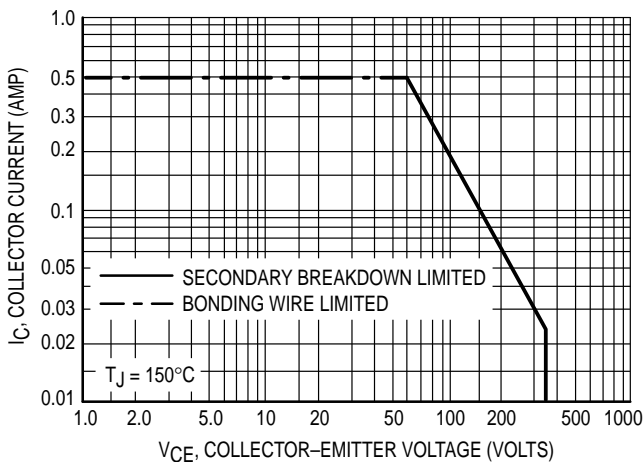
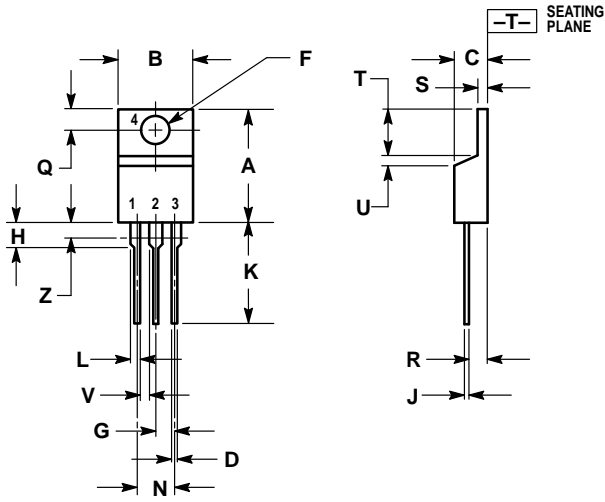


Figure 2. DC Safe Operating Area

The Safe Operating Area Curves indicate I_C – V_{CE} limits below which the device will not enter secondary breakdown. Collector load lines for specific circuits must fall within the applicable Safe Area to avoid causing a catastrophic failure. To insure operation below the maximum T_J, power–temperature derating must be observed for both steady state and pulse power conditions.

PACKAGE DIMENSIONS




- NOTES:
1. DIMENSIONING AND TOLERANCING PER ANSI Y14.5M, 1982.
 2. CONTROLLING DIMENSION: INCH.
 3. DIMENSION Z DEFINES A ZONE WHERE ALL BODY AND LEAD IRREGULARITIES ARE ALLOWED.

DIM	INCHES		MILLIMETERS	
	MIN	MAX	MIN	MAX
A	0.570	0.620	14.48	15.75
B	0.380	0.405	9.66	10.28
C	0.160	0.190	4.07	4.82
D	0.025	0.035	0.64	0.88
F	0.142	0.147	3.61	3.73
G	0.095	0.105	2.42	2.66
H	0.110	0.155	2.80	3.93
J	0.018	0.025	0.46	0.64
K	0.500	0.562	12.70	14.27
L	0.045	0.060	1.15	1.52
N	0.190	0.210	4.83	5.33
Q	0.100	0.120	2.54	3.04
R	0.080	0.110	2.04	2.79
S	0.045	0.055	1.15	1.39
T	0.235	0.255	5.97	6.47
U	0.000	0.050	0.00	1.27
V	0.045	—	1.15	—
Z	—	0.080	—	2.04

- STYLE 1:
 PIN 1. BASE
 2. COLLECTOR
 3. EMITTER
 4. COLLECTOR

CASE 221A-06
 TO-220AB
 ISSUE Y

Motorola reserves the right to make changes without further notice to any products herein. Motorola makes no warranty, representation or guarantee regarding the suitability of its products for any particular purpose, nor does Motorola assume any liability arising out of the application or use of any product or circuit, and specifically disclaims any and all liability, including without limitation consequential or incidental damages. "Typical" parameters can and do vary in different applications. All operating parameters, including "Typicals" must be validated for each customer application by customer's technical experts. Motorola does not convey any license under its patent rights nor the rights of others. Motorola products are not designed, intended, or authorized for use as components in systems intended for surgical implant into the body, or other applications intended to support or sustain life, or for any other application in which the failure of the Motorola product could create a situation where personal injury or death may occur. Should Buyer purchase or use Motorola products for any such unintended or unauthorized application, Buyer shall indemnify and hold Motorola and its officers, employees, subsidiaries, affiliates, and distributors harmless against all claims, costs, damages, and expenses, and reasonable attorney fees arising out of, directly or indirectly, any claim of personal injury or death associated with such unintended or unauthorized use, even if such claim alleges that Motorola was negligent regarding the design or manufacture of the part. Motorola and  are registered trademarks of Motorola, Inc. Motorola, Inc. is an Equal Opportunity/Affirmative Action Employer.

How to reach us:

USA / EUROPE: Motorola Literature Distribution;
P.O. Box 20912; Phoenix, Arizona 85036. 1-800-441-2447

JAPAN: Nippon Motorola Ltd.; Tatsumi-SPD-JLDC, Toshikatsu Otsuki,
6F Seibu-Butsuryu-Center, 3-14-2 Tatsumi Koto-Ku, Tokyo 135, Japan. 03-3521-8315

MFAX: RMFAX0@email.sps.mot.com – TOUCHTONE (602) 244-6609
INTERNET: <http://Design-NET.com>

HONG KONG: Motorola Semiconductors H.K. Ltd.; 8B Tai Ping Industrial Park,
51 Ting Kok Road, Tai Po, N.T., Hong Kong. 852-26629298

