

High voltage fast-switching NPN power transistor

Features

- High voltage capability
- High DC current gain
- Minimum lot-to-lot spread for reliable operation
- Wide safe operating areas (forward and reverse biased)

Applications

- Switching mode power supplies

Description

The STW3040 is manufactured using diffused collector in planar technology adopting base island layout. The device is designed for use in SMPS and desktop power supply.

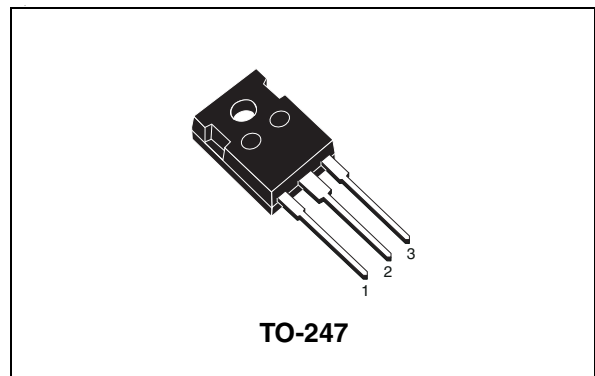


Figure 1. Internal schematic diagram

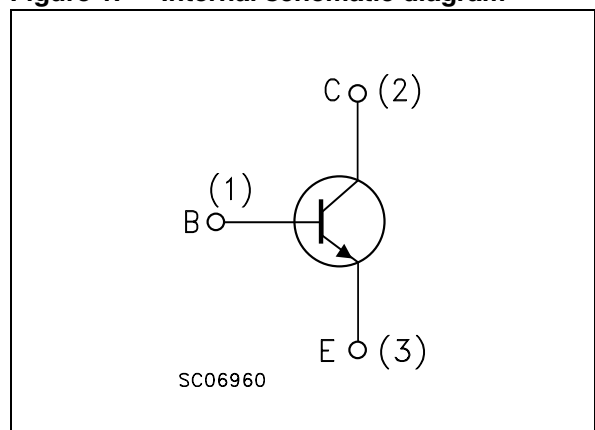


Table 1. Device summary

Order code	Marking	Package	Packaging
STW3040	W3040	TO-247	Tube

1 Absolute maximum ratings

Table 2. Absolute maximum ratings

Symbol	Parameter	Value	Unit
V_{CES}	Collector-emitter voltage ($V_{CE} = 0$)	700	V
V_{CEO}	Collector-emitter voltage ($I_B = 0$)	400	V
V_{EBO}	Emitter-base voltage ($I_C = 0$)	9	V
I_C	Collector current	30	A
I_{CM}	Collector peak current	50	A
I_B	Base current	10	A
I_{BM}	Base peak current	15	A
P_{TOT}	Total dissipation at $T_c = 25^\circ\text{C}$	160	W
T_{stg}	Storage temperature	-65 to 150	$^\circ\text{C}$
T_J	Max. operating junction temperature	150	$^\circ\text{C}$

Table 3. Thermal data

Symbol	Parameters	Value	Unit
$R_{thj-case}$	Thermal resistance junction-case max	0.78	$^\circ\text{C}/\text{W}$

2 Electrical characteristics

($T_{\text{case}} = 25^{\circ}\text{C}$; unless otherwise specified)

Table 4. Electrical characteristics

Symbol	Parameter	Test conditions	Min.	Typ.	Max.	Unit
I_{CES}	Collector cut-off current ($V_{\text{BE}} = 0$)	$V_{\text{CE}} = 700 \text{ V}$			1	mA
I_{EBO}	Emitter cut-off current ($I_{\text{C}} = 0$)	$V_{\text{EB}} = 9 \text{ V}$			1	mA
$V_{(\text{BR})\text{CEO}}$	Collector-emitter breakdown ($I_{\text{B}} = 0$)	$I_{\text{C}} = 10 \text{ mA}$	400			V
$V_{\text{CE(sat)}}^{(1)}$	Collector-emitter saturation voltage	$I_{\text{C}} = 6 \text{ A}$ $I_{\text{B}} = 1.2 \text{ A}$		0.1		V
		$I_{\text{C}} = 20 \text{ A}$ $I_{\text{B}} = 4 \text{ A}$		0.4	0.8	V
$V_{\text{BE(sat)}}^{(1)}$	Base-emitter saturation voltage	$I_{\text{C}} = 6 \text{ A}$ $I_{\text{B}} = 1.2 \text{ A}$			1.2	V
		$I_{\text{C}} = 20 \text{ A}$ $I_{\text{B}} = 4 \text{ A}$			1.5	V
$h_{\text{FE}}^{(1)}$	DC current gain	$I_{\text{C}} = 10 \text{ mA}$ $V_{\text{CE}} = 5 \text{ V}$	10	30	40	
		$I_{\text{C}} = 6 \text{ A}$ $V_{\text{CE}} = 5 \text{ V}$	18			
		$I_{\text{C}} = 20 \text{ A}$ $V_{\text{CE}} = 5 \text{ V}$	10			
t_{on}	Resistive load Turn-on time	$I_{\text{C}} = 20 \text{ A}$ $V_{\text{CC}} = 200 \text{ V}$			0.5	μs
t_{s}	Storage time	$I_{\text{b(on)}} = 4 \text{ A}$ $I_{\text{b(off)}} = -8 \text{ A}$			2.5	μs
t_{f}	Fall time				0.3	μs

1. Pulse duration = 300 ms, duty cycle $\leq 1.5\%$

2.1 Electrical characteristics (curves)

Figure 2. Safe operating area

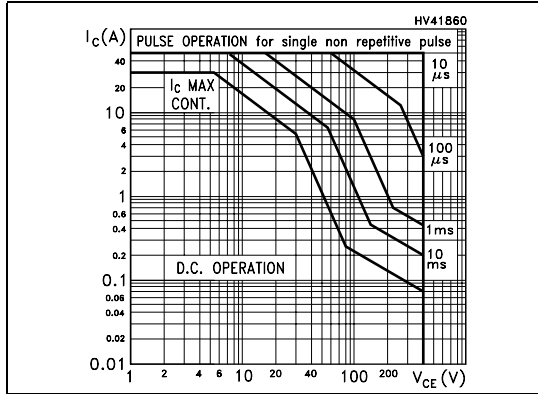


Figure 3. Derating curve

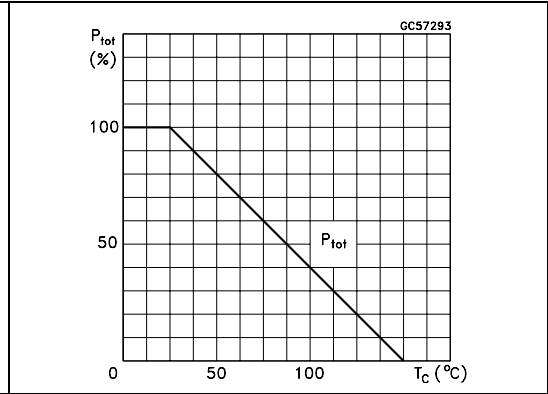


Figure 4. Reverse biased safe operating area

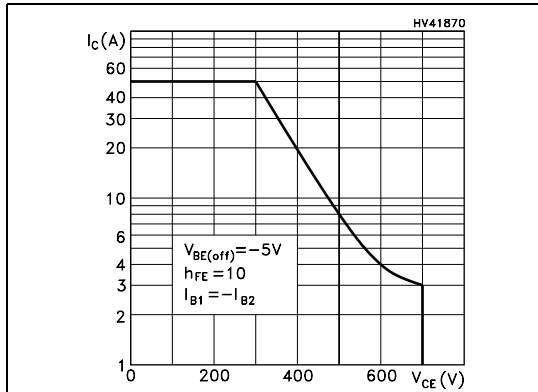


Figure 5. Output characteristics

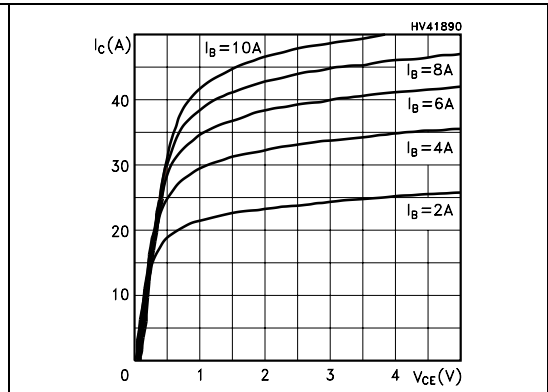


Figure 6. DC current gain

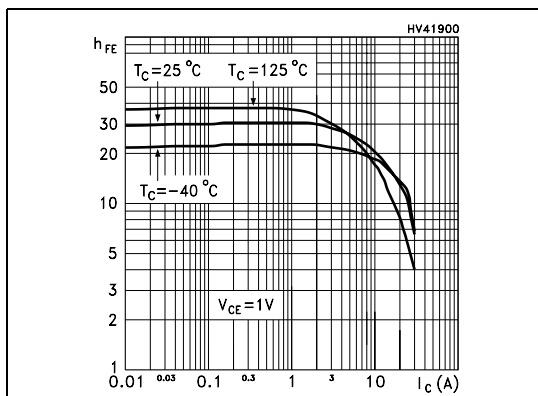


Figure 7. DC current gain

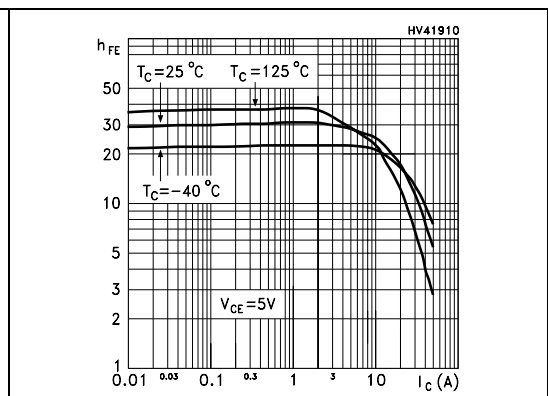


Figure 8. Collector-emitter saturation voltage

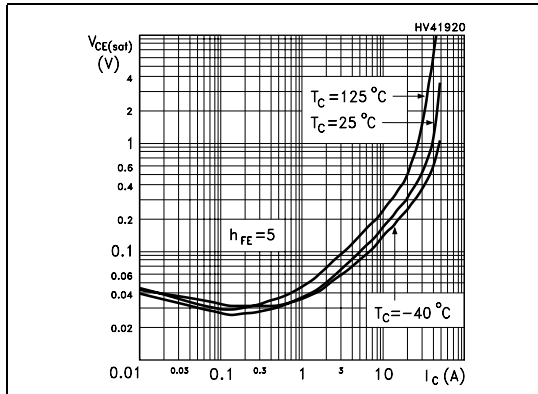


Figure 9. Base-emitter saturation voltage

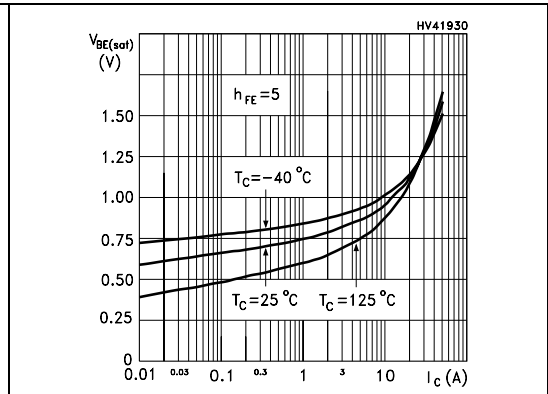


Figure 10. Resistive load switching on time

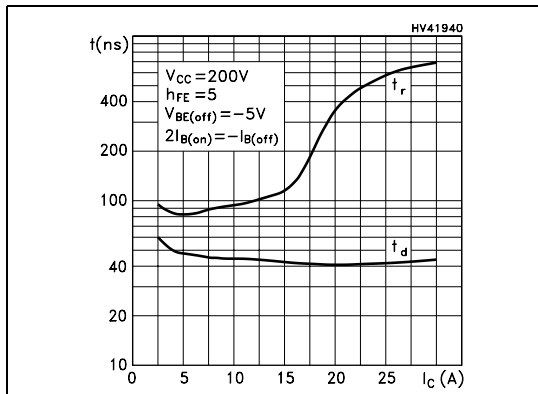
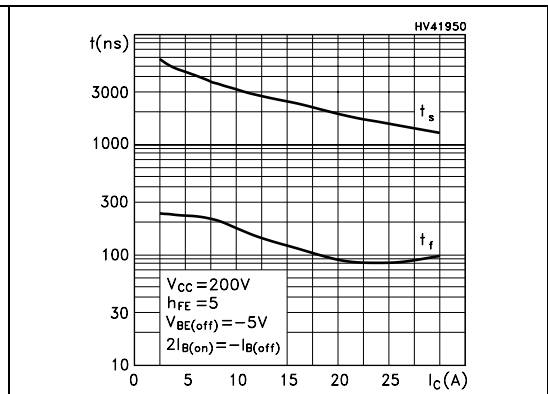
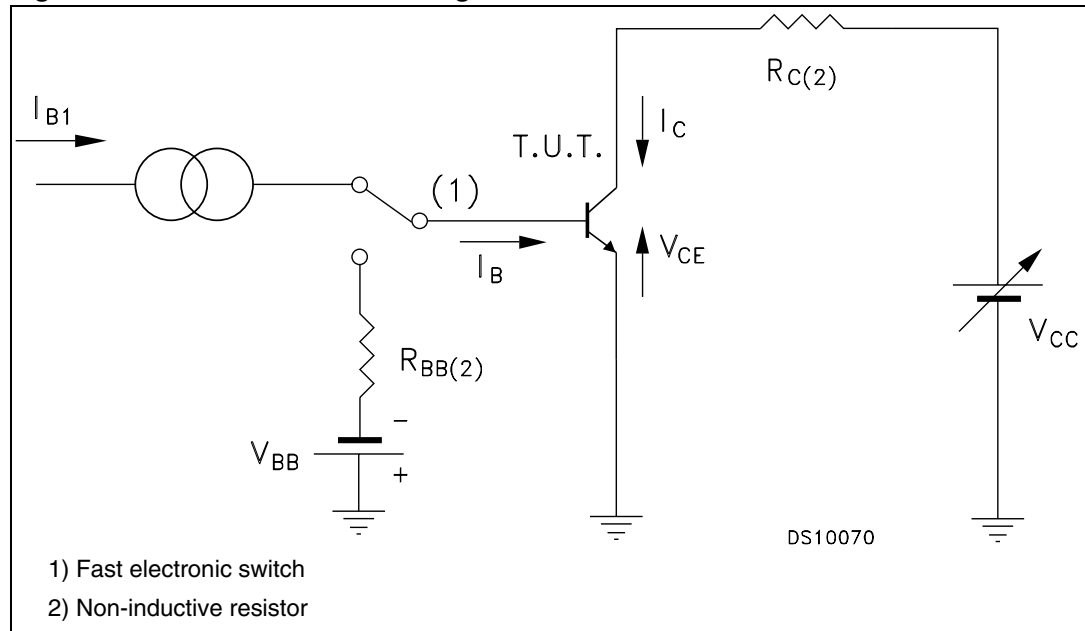


Figure 11. Resistive load switching off time



3 Test circuit

Figure 12. Resistive load switching test circuit

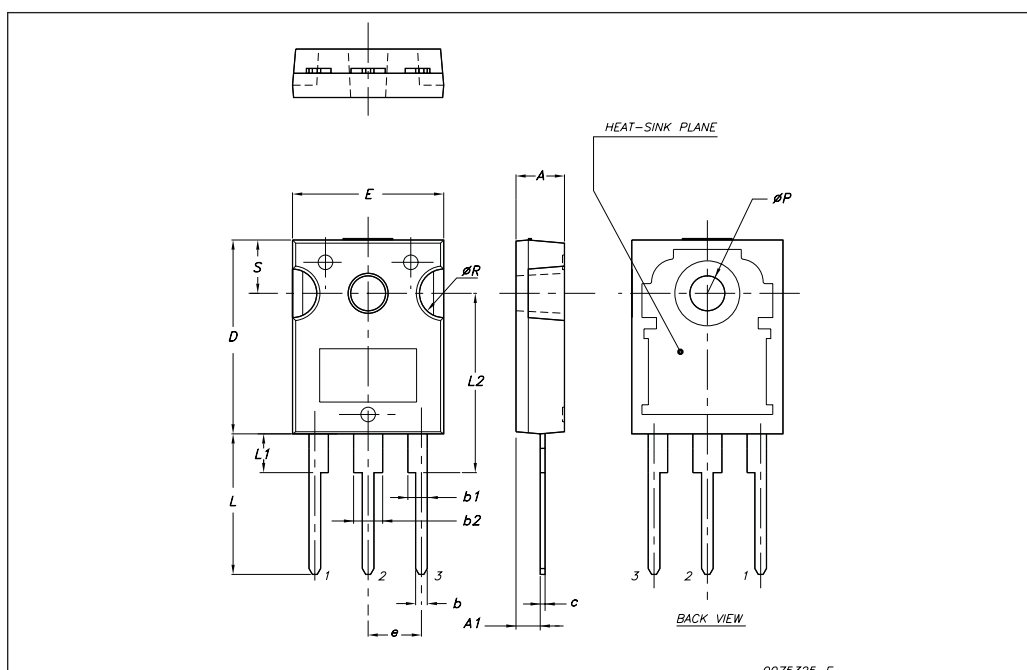


4 Package mechanical data

In order to meet environmental requirements, ST offers these devices in ECOPACK® packages. These packages have a lead-free second level interconnect . The category of second level interconnect is marked on the package and on the inner box label, in compliance with JEDEC Standard JESD97. The maximum ratings related to soldering conditions are also marked on the inner box label. ECOPACK is an ST trademark. ECOPACK specifications are available at: www.st.com

TO-247 Mechanical data

Dim.	mm.		
	Min.	Typ	Max.
A	4.85		5.15
A1	2.20		2.60
b	1.0		1.40
b1	2.0		2.40
b2	3.0		3.40
c	0.40		0.80
D	19.85		20.15
E	15.45		15.75
e		5.45	
L	14.20		14.80
L1	3.70		4.30
L2		18.50	
øP	3.55		3.65
øR	4.50		5.50
S		5.50	



5 Revision history

Table 5. Document revision history

Date	Revision	Changes
12-Dec-2007	1	Initial release
09-Oct-2008	2	Document status promoted from preliminary data to datasheet
23-Oct-2008	3	Test conditions changed for $V_{CE(sat)}$ in Table 4

Please Read Carefully:

Information in this document is provided solely in connection with ST products. STMicroelectronics NV and its subsidiaries ("ST") reserve the right to make changes, corrections, modifications or improvements, to this document, and the products and services described herein at any time, without notice.

All ST products are sold pursuant to ST's terms and conditions of sale.

Purchasers are solely responsible for the choice, selection and use of the ST products and services described herein, and ST assumes no liability whatsoever relating to the choice, selection or use of the ST products and services described herein.

No license, express or implied, by estoppel or otherwise, to any intellectual property rights is granted under this document. If any part of this document refers to any third party products or services it shall not be deemed a license grant by ST for the use of such third party products or services, or any intellectual property contained therein or considered as a warranty covering the use in any manner whatsoever of such third party products or services or any intellectual property contained therein.

UNLESS OTHERWISE SET FORTH IN ST'S TERMS AND CONDITIONS OF SALE ST DISCLAIMS ANY EXPRESS OR IMPLIED WARRANTY WITH RESPECT TO THE USE AND/OR SALE OF ST PRODUCTS INCLUDING WITHOUT LIMITATION IMPLIED WARRANTIES OF MERCHANTABILITY, FITNESS FOR A PARTICULAR PURPOSE (AND THEIR EQUIVALENTS UNDER THE LAWS OF ANY JURISDICTION), OR INFRINGEMENT OF ANY PATENT, COPYRIGHT OR OTHER INTELLECTUAL PROPERTY RIGHT.

UNLESS EXPRESSLY APPROVED IN WRITING BY AN AUTHORIZED ST REPRESENTATIVE, ST PRODUCTS ARE NOT RECOMMENDED, AUTHORIZED OR WARRANTED FOR USE IN MILITARY, AIR CRAFT, SPACE, LIFE SAVING, OR LIFE SUSTAINING APPLICATIONS, NOR IN PRODUCTS OR SYSTEMS WHERE FAILURE OR MALFUNCTION MAY RESULT IN PERSONAL INJURY, DEATH, OR SEVERE PROPERTY OR ENVIRONMENTAL DAMAGE. ST PRODUCTS WHICH ARE NOT SPECIFIED AS "AUTOMOTIVE GRADE" MAY ONLY BE USED IN AUTOMOTIVE APPLICATIONS AT USER'S OWN RISK.

Resale of ST products with provisions different from the statements and/or technical features set forth in this document shall immediately void any warranty granted by ST for the ST product or service described herein and shall not create or extend in any manner whatsoever, any liability of ST.

ST and the ST logo are trademarks or registered trademarks of ST in various countries.

Information in this document supersedes and replaces all information previously supplied.

The ST logo is a registered trademark of STMicroelectronics. All other names are the property of their respective owners.

© 2008 STMicroelectronics - All rights reserved

STMicroelectronics group of companies

Australia - Belgium - Brazil - Canada - China - Czech Republic - Finland - France - Germany - Hong Kong - India - Israel - Italy - Japan - Malaysia - Malta - Morocco - Singapore - Spain - Sweden - Switzerland - United Kingdom - United States of America

www.st.com