

### D<sup>2</sup>PAK

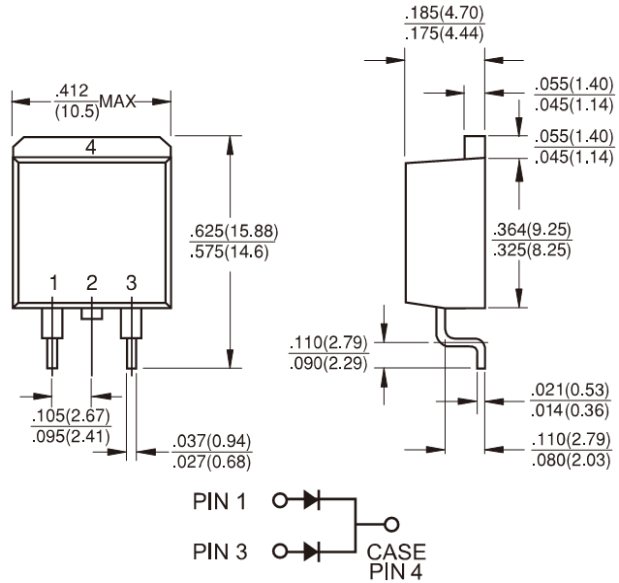


### Features

- ✧ Low forward voltage drop
- ✧ High current capability
- ✧ High reliability
- ✧ High surge current capability
- ✧ Green compound with suffix "G" on packing code & prefix "G" on datecode
- ✧ Qualified as per AEC-Q101

### Mechanical Data

- ✧ Case: D<sup>2</sup>PAK Molded plastic
- ✧ Epoxy: UL 94V-0 rate flame retardant
- ✧ Terminals: Pure tin plated, lead free, solderable per MIL-STD-202, Method 208 guaranteed
- ✧ Polarity: As marked
- ✧ High temperature soldering: 260°C / 10 seconds / .16" (4.06mm) from case
- ✧ Weight: 1.70 grams



### Dimensions in inches and (millimeters)

### Marking Diagram



- SFS100XG = Specific Device Code
- G = Green Compound
- Y = Year
- WW = Work Week

### Maximum Ratings and Electrical Characteristics

Rating at 25 °C ambient temperature unless otherwise specified.

Single phase, half wave, 60 Hz, resistive or inductive load.

For capacitive load, derate current by 20%

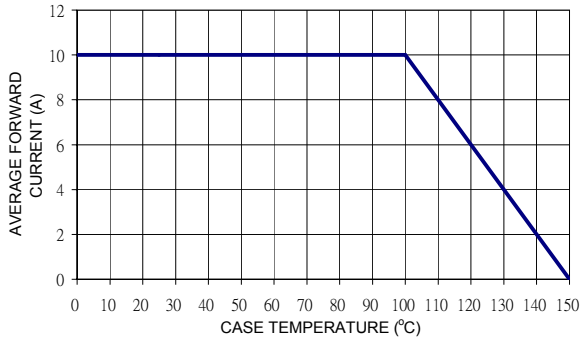
Type Number	Symbol	SFS 1001G	SFS 1002G	SFS 1003G	SFS 1004G	SFS 1005G	SFS 1006G	SFS 1007G	SFS 1008G	Unit	
Maximum Repetitive Peak Reverse Voltage	$V_{RRM}$	50	100	150	200	300	400	500	600	V	
Maximum RMS Voltage	$V_{RMS}$	35	70	105	140	210	280	350	420	V	
Maximum DC Blocking Voltage	$V_{DC}$	50	100	150	200	300	400	500	600	V	
Maximum Average Forward Rectified Current @ $T_C=100^\circ C$	$I_{F(AV)}$	10.0								A	
Peak Forward Surge Current, 8.3 ms Single Half Sine-wave Superimposed on Rated Load (JEDEC method)	$I_{FSM}$	125								A	
Maximum Instantaneous Forward Voltage @ 5.0A	$V_F$	0.975			1.3		1.7			V	
Maximum DC Reverse Current @ Rated DC Blocking Voltage	$I_R$	$T_A=25^\circ C$				$T_A=125^\circ C$					uA
Maximum Reverse Recovery Time (Note 1)	$T_{rr}$	35								nS	
Typical Junction Capacitance (Note 2)	$C_j$	70				50				pF	
Typical Thermal Resistance	$R_{\theta JC}$	2								$^\circ C/W$	
Operating Temperature Range	$T_J$	- 65 to + 150								$^\circ C$	
Storage Temperature Range	$T_{STG}$	- 65 to + 150								$^\circ C$	

Note 1: Reverse Recovery Test Conditions:  $I_F=0.5A$ ,  $I_R=1.0A$ ,  $I_{RR}=0.25A$

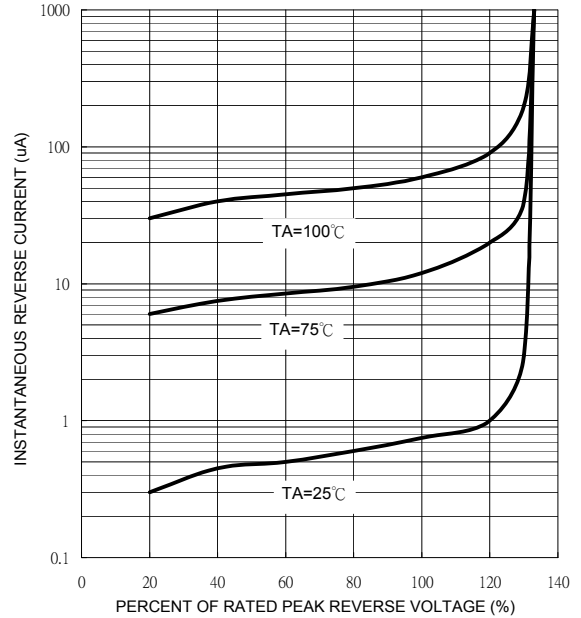
Note 2: Measured at 1 MHz and Applied Reverse Voltage of 4.0V D.C.

**RATINGS AND CHARACTERISTIC CURVES (SFS1001G THRU SFS1008G)**

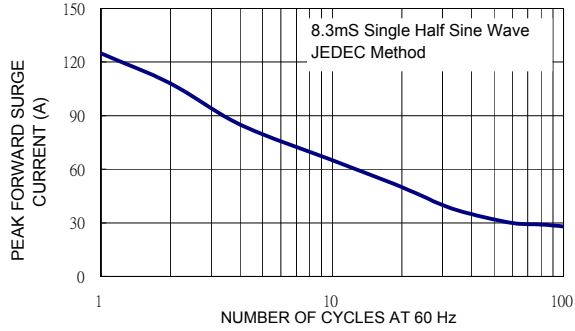
**FIG.1 FORWARD CURRENT DERATING CURVE**



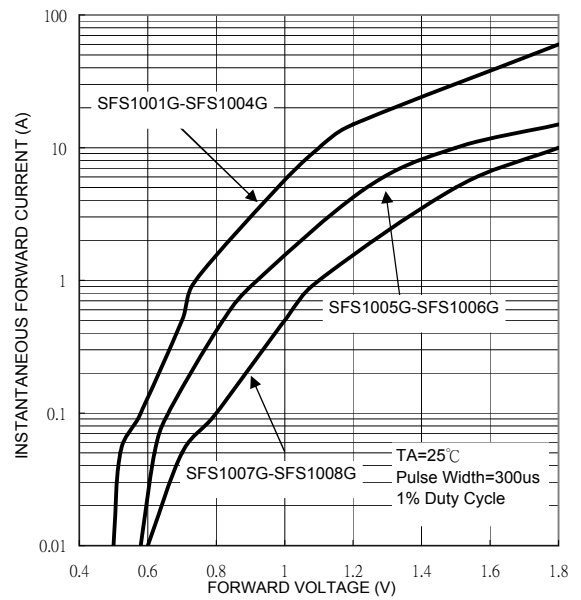
**FIG. 2 TYPICAL REVERSE CHARACTERISTICS**



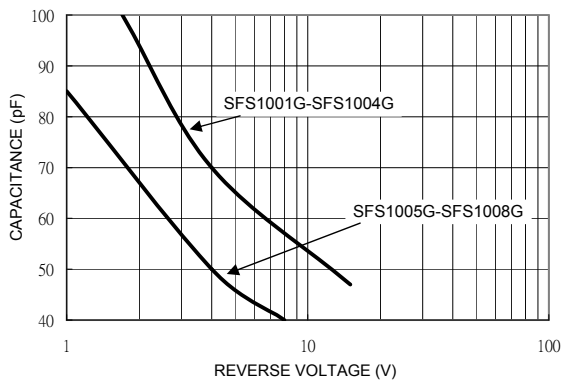
**FIG. 3 MAXIMUM NON-REPETITIVE FORWARD SURGE CURRENT**



**FIG. 5 TYPICAL FORWARD CHARACTERISTICS**



**FIG. 4 TYPICAL JUNCTION CAPACITANCE**



**FIG.6- REVERSE RECOVERY TIME CHARACTERISTIC AND TEST CIRCUIT DIAGRAM**

